

Catalyst 2948G-L3示例配置 — 完整裝置配置

目錄

[簡介](#)

[必要條件](#)

[需求](#)

[採用元件](#)

[慣例](#)

[示例1 — 單VLAN網路](#)

[Catalyst 2948G-L3配置](#)

[Catalyst 3548XL配置](#)

[示例2 — 多VLAN網路](#)

[Catalyst 2948G-L3配置](#)

[Catalyst 3512XL組態](#)

[Catalyst 2924XL組態](#)

[Catalyst 3548XL配置](#)

[示例3 — 連線到網路核心的多VLAN分佈層](#)

[Catalyst 2948G-L3-01配置](#)

[Catalyst 2948G-L3-02配置](#)

[Catalyst 2948G-01配置](#)

[Catalyst 2948G-15配置](#)

[Catalyst 6506-01配置](#)

[Catalyst 6506-02配置](#)

[相關資訊](#)

簡介

本文檔是連線到網路核心文檔的[Catalyst 2948G-L3示例配置 — 單VLAN、多VLAN和多VLAN分佈層的擴展](#)。如需本文檔中配置示例的詳細說明，請參閱[Catalyst 2948G-L3示例配置 — 連線到網路核心的單個VLAN、多VLAN和多VLAN分佈層](#)。

必要條件

需求

本文件沒有特定需求。

採用元件

本文件所述內容不限於特定軟體和硬體版本。

慣例

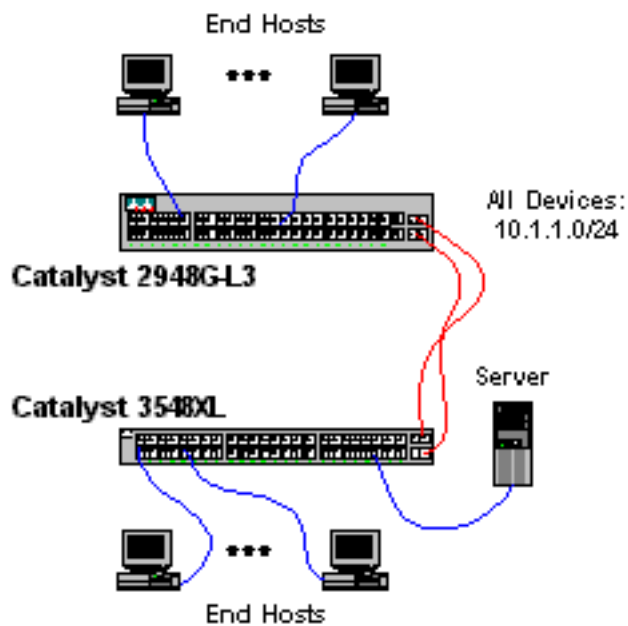
如需文件慣例的詳細資訊，請參閱[思科技術提示慣例](#)。

示例1 — 單VLAN網路

本節中的完整裝置配置與[示例1有關](#)：Catalyst 2948G-L3配置示例文檔的單VLAN網路部分。

- [Catalyst 2948G-L3配置](#)
- [Catalyst 3548XL配置](#)

圖1:範例1網路圖表



Catalyst 2948G-L3配置

```
2948G-L3# show running-config
Building configuration...
```

```
Current configuration:
```

```
!
! Last configuration change at 04:16:10 PST Thu Jun 22 2000
! NVRAM config last updated at 04:16:11 PST Thu Jun 22 2000
!
version 12.0
no service pad
service timestamps debug datetime msec localtime
service timestamps log datetime msec localtime
no service password-encryption
!
hostname 2948G-L3
!
boot system flash bootflash:cat2948g-in-mz.120-7.W5.15d.bin
no logging console
enable password verysecret
!
```

```
clock timezone PST -8
clock calendar-valid
ip subnet-zero
bridge irb
!
!
!
interface Port-channel1
  no ip address
  no ip directed-broadcast
  bridge-group 1
  hold-queue 300 in
!
interface FastEthernet1
  no ip address
  no ip directed-broadcast
  bridge-group 1
  bridge-group 1 spanning-disabled
!
interface FastEthernet2
  no ip address
  no ip directed-broadcast
  bridge-group 1
  bridge-group 1 spanning-disabled
!
interface FastEthernet3
  no ip address
  no ip directed-broadcast
  bridge-group 1
  bridge-group 1 spanning-disabled
!
interface FastEthernet4
  no ip address
  no ip directed-broadcast
  bridge-group 1
  bridge-group 1 spanning-disabled
!
interface FastEthernet5
  no ip address
  no ip directed-broadcast
  bridge-group 1
  bridge-group 1 spanning-disabled
!
interface FastEthernet6
  no ip address
  no ip directed-broadcast
  bridge-group 1
  bridge-group 1 spanning-disabled
!
interface FastEthernet7
  no ip address
  no ip directed-broadcast
  bridge-group 1
  bridge-group 1 spanning-disabled
!
interface FastEthernet8
  no ip address
  no ip directed-broadcast
  bridge-group 1
  bridge-group 1 spanning-disabled
!
interface FastEthernet9
  no ip address
  no ip directed-broadcast
```

```
bridge-group 1
bridge-group 1 spanning-disabled
!
interface FastEthernet10
no ip address
no ip directed-broadcast
bridge-group 1
bridge-group 1 spanning-disabled
!
interface FastEthernet11
no ip address
no ip directed-broadcast
bridge-group 1
bridge-group 1 spanning-disabled
!
interface FastEthernet12
no ip address
no ip directed-broadcast
bridge-group 1
bridge-group 1 spanning-disabled
!
interface FastEthernet13
no ip address
no ip directed-broadcast
bridge-group 1
bridge-group 1 spanning-disabled
!
interface FastEthernet14
no ip address
no ip directed-broadcast
bridge-group 1
bridge-group 1 spanning-disabled
!
interface FastEthernet15
no ip address
no ip directed-broadcast
bridge-group 1
bridge-group 1 spanning-disabled
!
interface FastEthernet16
no ip address
no ip directed-broadcast
bridge-group 1
bridge-group 1 spanning-disabled
!
interface FastEthernet17
no ip address
no ip directed-broadcast
bridge-group 1
bridge-group 1 spanning-disabled
!
interface FastEthernet18
no ip address
no ip directed-broadcast
bridge-group 1
bridge-group 1 spanning-disabled
!
interface FastEthernet19
no ip address
no ip directed-broadcast
bridge-group 1
bridge-group 1 spanning-disabled
!
interface FastEthernet20
```

```
no ip address
no ip directed-broadcast
bridge-group 1
bridge-group 1 spanning-disabled
!
interface FastEthernet21
no ip address
no ip directed-broadcast
bridge-group 1
bridge-group 1 spanning-disabled
!
interface FastEthernet22
no ip address
no ip directed-broadcast
bridge-group 1
bridge-group 1 spanning-disabled
!
interface FastEthernet23
no ip address
no ip directed-broadcast
bridge-group 1
bridge-group 1 spanning-disabled
!
interface FastEthernet24
no ip address
no ip directed-broadcast
bridge-group 1
bridge-group 1 spanning-disabled
!
interface FastEthernet25
no ip address
no ip directed-broadcast
bridge-group 1
bridge-group 1 spanning-disabled
!
interface FastEthernet26
no ip address
no ip directed-broadcast
bridge-group 1
bridge-group 1 spanning-disabled
!
interface FastEthernet27
no ip address
no ip directed-broadcast
bridge-group 1
bridge-group 1 spanning-disabled
!
interface FastEthernet28
no ip address
no ip directed-broadcast
bridge-group 1
bridge-group 1 spanning-disabled
!
interface FastEthernet29
no ip address
no ip directed-broadcast
bridge-group 1
bridge-group 1 spanning-disabled
!
interface FastEthernet30
no ip address
no ip directed-broadcast
bridge-group 1
bridge-group 1 spanning-disabled
```

```
!  
interface FastEthernet31  
  no ip address  
  no ip directed-broadcast  
  bridge-group 1  
  bridge-group 1 spanning-disabled  
!  
interface FastEthernet32  
  no ip address  
  no ip directed-broadcast  
  bridge-group 1  
  bridge-group 1 spanning-disabled  
!  
interface FastEthernet33  
  no ip address  
  no ip directed-broadcast  
  bridge-group 1  
  bridge-group 1 spanning-disabled  
!  
interface FastEthernet34  
  no ip address  
  no ip directed-broadcast  
  bridge-group 1  
  bridge-group 1 spanning-disabled  
!  
interface FastEthernet35  
  no ip address  
  no ip directed-broadcast  
  bridge-group 1  
  bridge-group 1 spanning-disabled  
!  
interface FastEthernet36  
  no ip address  
  no ip directed-broadcast  
  bridge-group 1  
  bridge-group 1 spanning-disabled  
!  
interface FastEthernet37  
  no ip address  
  no ip directed-broadcast  
  bridge-group 1  
  bridge-group 1 spanning-disabled  
!  
interface FastEthernet38  
  no ip address  
  no ip directed-broadcast  
  bridge-group 1  
  bridge-group 1 spanning-disabled  
!  
interface FastEthernet39  
  no ip address  
  no ip directed-broadcast  
  bridge-group 1  
  bridge-group 1 spanning-disabled  
!  
interface FastEthernet40  
  no ip address  
  no ip directed-broadcast  
!  
interface FastEthernet41  
  no ip address  
  no ip directed-broadcast  
  bridge-group 1  
  bridge-group 1 spanning-disabled
```

```
!  
interface FastEthernet42  
  no ip address  
  no ip directed-broadcast  
  bridge-group 1  
  bridge-group 1 spanning-disabled  
!  
interface FastEthernet43  
  no ip address  
  no ip directed-broadcast  
  bridge-group 1  
  bridge-group 1 spanning-disabled  
!  
interface FastEthernet44  
  no ip address  
  no ip directed-broadcast  
  bridge-group 1  
  bridge-group 1 spanning-disabled  
!  
interface FastEthernet45  
  no ip address  
  no ip directed-broadcast  
  bridge-group 1  
  bridge-group 1 spanning-disabled  
!  
interface FastEthernet46  
  no ip address  
  no ip directed-broadcast  
  bridge-group 1  
  bridge-group 1 spanning-disabled  
!  
interface FastEthernet47  
  no ip address  
  no ip directed-broadcast  
  bridge-group 1  
  bridge-group 1 spanning-disabled  
!  
interface FastEthernet48  
  no ip address  
  no ip directed-broadcast  
  bridge-group 1  
  bridge-group 1 spanning-disabled  
!  
interface GigabitEthernet49  
  no ip address  
  no ip directed-broadcast  
  no negotiation auto  
  channel-group 1  
!  
interface GigabitEthernet50  
  no ip address  
  no ip directed-broadcast  
  no negotiation auto  
  channel-group 1  
!  
interface BVI1  
  ip address 10.1.1.1 255.255.255.0  
  no ip directed-broadcast  
  no ip route-cache cef  
!  
ip classless  
!  
bridge 1 protocol ieee  
  bridge 1 route ip
```

```
!  
line con 0  
  transport input none  
line aux 0  
line vty 0 4  
  password secret  
  login  
!  
end
```

2948G-L3#

Catalyst 3548XL配置

3548XL# **show running-config**

Building configuration...

Current configuration:

```
!  
! Last configuration change at 04:09:54 PST Thu Jun 22 2000  
! NVRAM config last updated at 04:01:04 PST Thu Jun 22 2000  
!  
version 12.0  
no service pad  
service timestamps debug datetime msec localtime  
service timestamps log datetime msec localtime  
no service password-encryption  
!  
hostname 3548XL  
!  
no logging console  
enable password verysecret  
!  
!  
!  
!  
clock timezone PST -8  
!  
ip subnet-zero  
!  
!  
!  
interface FastEthernet0/1  
  spanning-tree portfast  
!  
interface FastEthernet0/2  
  spanning-tree portfast  
!  
interface FastEthernet0/3  
  spanning-tree portfast  
!  
interface FastEthernet0/4  
  spanning-tree portfast  
!  
interface FastEthernet0/5  
  spanning-tree portfast  
!  
interface FastEthernet0/6  
  spanning-tree portfast
```



```
!  
interface FastEthernet0/7  
    spanning-tree portfast  
!  
interface FastEthernet0/8  
    spanning-tree portfast  
!  
interface FastEthernet0/9  
    spanning-tree portfast  
!  
interface FastEthernet0/10  
    spanning-tree portfast  
!  
interface FastEthernet0/11  
    spanning-tree portfast  
!  
interface FastEthernet0/12  
    spanning-tree portfast  
!  
interface FastEthernet0/13  
    spanning-tree portfast  
!  
interface FastEthernet0/14  
    spanning-tree portfast  
!  
interface FastEthernet0/15  
    spanning-tree portfast  
!  
interface FastEthernet0/16  
    spanning-tree portfast  
!  
interface FastEthernet0/17  
    spanning-tree portfast  
!  
interface FastEthernet0/18  
    spanning-tree portfast  
!  
interface FastEthernet0/19  
    spanning-tree portfast  
!  
interface FastEthernet0/20  
    spanning-tree portfast  
!  
interface FastEthernet0/21  
    spanning-tree portfast  
!  
interface FastEthernet0/22  
    spanning-tree portfast  
!  
interface FastEthernet0/23  
    spanning-tree portfast  
!  
interface FastEthernet0/24  
    spanning-tree portfast  
!  
interface FastEthernet0/25  
    spanning-tree portfast  
!  
interface FastEthernet0/26  
    spanning-tree portfast  
!  
interface FastEthernet0/27  
    spanning-tree portfast  
!
```

```
interface FastEthernet0/28
 spanning-tree portfast
!
interface FastEthernet0/29
 spanning-tree portfast
!
interface FastEthernet0/30
 spanning-tree portfast
!
interface FastEthernet0/31
 spanning-tree portfast
!
interface FastEthernet0/32
 spanning-tree portfast
!
interface FastEthernet0/33
 spanning-tree portfast
!
interface FastEthernet0/34
 spanning-tree portfast
!
interface FastEthernet0/35
 spanning-tree portfast
!
interface FastEthernet0/36
 spanning-tree portfast
!
interface FastEthernet0/37
 spanning-tree portfast
!
interface FastEthernet0/38
 spanning-tree portfast
!
interface FastEthernet0/39
 spanning-tree portfast
!
interface FastEthernet0/40
 spanning-tree portfast
!
interface FastEthernet0/41
 spanning-tree portfast
!
interface FastEthernet0/42
 spanning-tree portfast
!
interface FastEthernet0/43
 spanning-tree portfast
!
interface FastEthernet0/44
 spanning-tree portfast
!
interface FastEthernet0/45
 spanning-tree portfast
!
interface FastEthernet0/46
 spanning-tree portfast
!
interface FastEthernet0/47
 spanning-tree portfast
!
interface FastEthernet0/48
 spanning-tree portfast
!
interface GigabitEthernet0/1
```

```
no negotiation auto
port group 1
!
interface GigabitEthernet0/2
no negotiation auto
port group 1
!
interface VLAN1
ip address 10.1.1.2 255.255.255.0
no ip directed-broadcast
no ip route-cache
!
!
line con 0
transport input none
stopbits 1
line vty 0 4
password secret
login
line vty 5 15
login
!
end

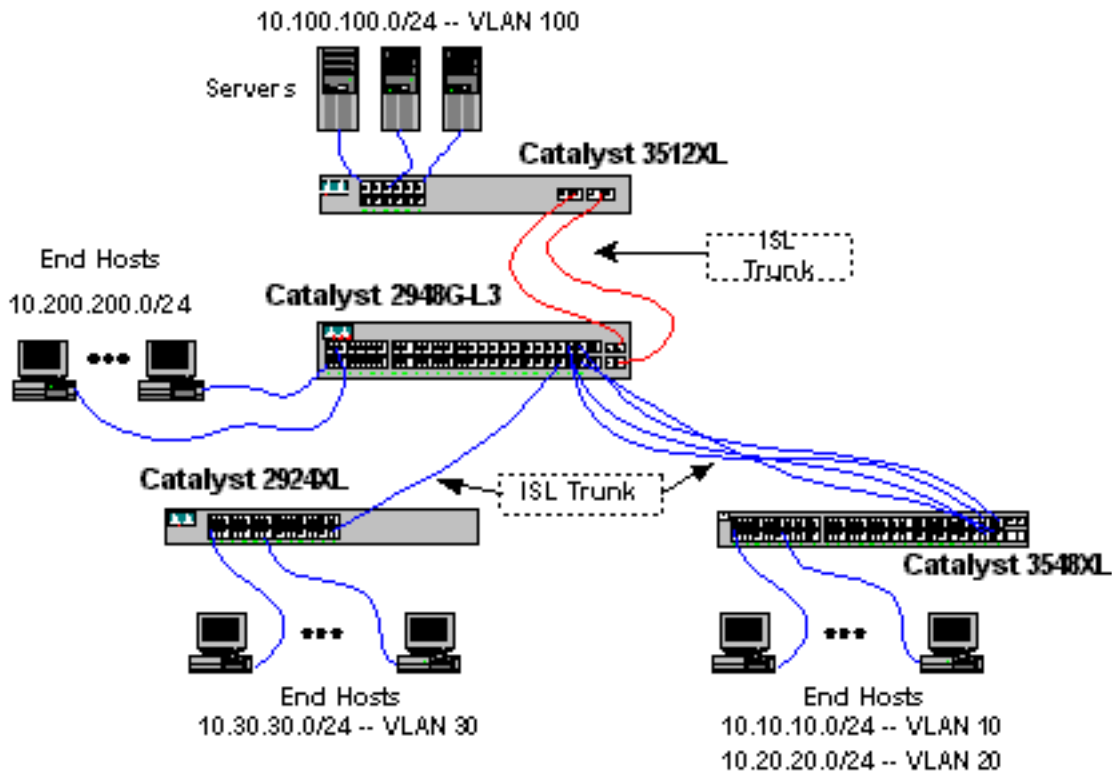
3548XL#
```

示例2 — 多VLAN網路

本節中的完整裝置配置適用於 [示例2:Catalyst 2948G-L3](#) 示例配置的多VLAN網路。

- [Catalyst 2948G-L3配置](#)
- [Catalyst 3512XL組態](#)
- [Catalyst 2924XL組態](#)
- [Catalyst 3548XL配置](#)

圖2:範例2網路圖表



[Catalyst 2948G-L3配置](#)

```
2948G-L3# show running-config
Building configuration...
```

Current configuration:

```
!
! Last configuration change at 04:48:24 PST Thu Jun 22 2000
! NVRAM config last updated at 04:45:02 PST Thu Jun 22 2000
!
version 12.0
no service pad
service timestamps debug datetime msec localtime
service timestamps log datetime msec localtime
no service password-encryption
!
hostname 2948G-L3
!
no logging console
enable password verysecret
!
clock timezone PST -8
clock calendar-valid
ip subnet-zero
bridge irb
!
!
!
interface Port-channel1
 no ip address
 no ip directed-broadcast
 hold-queue 300 in
!
interface Port-channel1.1
```

```
encapsulation isl 1
no ip redirects
no ip directed-broadcast
bridge-group 1
!
interface Port-channel1.100
encapsulation isl 100
ip address 10.100.100.1 255.255.255.0
no ip redirects
no ip directed-broadcast
!
interface Port-channel2
no ip address
no ip directed-broadcast
hold-queue 300 in
!
interface Port-channel2.1
encapsulation isl 1
no ip redirects
no ip directed-broadcast
bridge-group 1
!
interface Port-channel2.10
encapsulation isl 10
ip address 10.10.10.1 255.255.255.0
no ip redirects
no ip directed-broadcast
!
interface Port-channel2.20
encapsulation isl 20
ip address 10.20.20.1 255.255.255.0
no ip redirects
no ip directed-broadcast
!
interface FastEthernet1
no ip address
no ip directed-broadcast
bridge-group 200
bridge-group 200 spanning-disabled
!
interface FastEthernet2
no ip address
no ip directed-broadcast
bridge-group 200
bridge-group 200 spanning-disabled
!
interface FastEthernet3
no ip address
no ip directed-broadcast
bridge-group 200
bridge-group 200 spanning-disabled
!
interface FastEthernet4
no ip address
no ip directed-broadcast
bridge-group 200
bridge-group 200 spanning-disabled
!
interface FastEthernet5
no ip address
no ip directed-broadcast
bridge-group 200
bridge-group 200 spanning-disabled
!
```

```
interface FastEthernet6
  no ip address
  no ip directed-broadcast
  bridge-group 200
  bridge-group 200 spanning-disabled
!
interface FastEthernet7
  no ip address
  no ip directed-broadcast
  bridge-group 200
  bridge-group 200 spanning-disabled
!
interface FastEthernet8
  no ip address
  no ip directed-broadcast
  bridge-group 200
  bridge-group 200 spanning-disabled
!
interface FastEthernet9
  no ip address
  no ip directed-broadcast
  bridge-group 200
  bridge-group 200 spanning-disabled
!
interface FastEthernet10
  no ip address
  no ip directed-broadcast
  bridge-group 200
  bridge-group 200 spanning-disabled
!
interface FastEthernet11
  no ip address
  no ip directed-broadcast
  bridge-group 200
  bridge-group 200 spanning-disabled
!
interface FastEthernet12
  no ip address
  no ip directed-broadcast
  bridge-group 200
  bridge-group 200 spanning-disabled
!
interface FastEthernet13
  no ip address
  no ip directed-broadcast
  bridge-group 200
  bridge-group 200 spanning-disabled
!
interface FastEthernet14
  no ip address
  no ip directed-broadcast
  bridge-group 200
  bridge-group 200 spanning-disabled
!
interface FastEthernet15
  no ip address
  no ip directed-broadcast
  bridge-group 200
  bridge-group 200 spanning-disabled
!
interface FastEthernet16
  no ip address
  no ip directed-broadcast
  bridge-group 200
```

```
bridge-group 200 spanning-disabled
!
interface FastEthernet17
no ip address
no ip directed-broadcast
bridge-group 200
bridge-group 200 spanning-disabled
!
interface FastEthernet18
no ip address
no ip directed-broadcast
bridge-group 200
bridge-group 200 spanning-disabled
!
interface FastEthernet19
no ip address
no ip directed-broadcast
bridge-group 200
bridge-group 200 spanning-disabled
!
interface FastEthernet20
no ip address
no ip directed-broadcast
bridge-group 200
bridge-group 200 spanning-disabled
!
interface FastEthernet21
no ip address
no ip directed-broadcast
bridge-group 200
bridge-group 200 spanning-disabled
!
interface FastEthernet22
no ip address
no ip directed-broadcast
bridge-group 200
bridge-group 200 spanning-disabled
!
interface FastEthernet23
no ip address
no ip directed-broadcast
bridge-group 200
bridge-group 200 spanning-disabled
!
interface FastEthernet24
no ip address
no ip directed-broadcast
bridge-group 200
bridge-group 200 spanning-disabled
!
interface FastEthernet25
no ip address
no ip directed-broadcast
bridge-group 200
bridge-group 200 spanning-disabled
!
interface FastEthernet26
no ip address
no ip directed-broadcast
bridge-group 200
bridge-group 200 spanning-disabled
!
interface FastEthernet27
no ip address
```

```
no ip directed-broadcast
bridge-group 200
bridge-group 200 spanning-disabled
!
interface FastEthernet28
no ip address
no ip directed-broadcast
bridge-group 200
bridge-group 200 spanning-disabled
!
interface FastEthernet29
no ip address
no ip directed-broadcast
bridge-group 200
bridge-group 200 spanning-disabled
!
interface FastEthernet30
no ip address
no ip directed-broadcast
bridge-group 200
bridge-group 200 spanning-disabled
!
interface FastEthernet31
no ip address
no ip directed-broadcast
bridge-group 200
bridge-group 200 spanning-disabled
!
interface FastEthernet32
no ip address
no ip directed-broadcast
bridge-group 200
bridge-group 200 spanning-disabled
!
interface FastEthernet33
no ip address
no ip directed-broadcast
bridge-group 200
bridge-group 200 spanning-disabled
!
interface FastEthernet34
no ip address
no ip directed-broadcast
bridge-group 200
bridge-group 200 spanning-disabled
!
interface FastEthernet35
no ip address
no ip directed-broadcast
bridge-group 200
bridge-group 200 spanning-disabled
!
interface FastEthernet36
no ip address
no ip directed-broadcast
bridge-group 200
bridge-group 200 spanning-disabled
!
interface FastEthernet37
no ip address
no ip directed-broadcast
bridge-group 200
bridge-group 200 spanning-disabled
!
```



```
interface FastEthernet38
  no ip address
  no ip directed-broadcast
  bridge-group 200
  bridge-group 200 spanning-disabled
!
interface FastEthernet39
  no ip address
  no ip directed-broadcast
  bridge-group 200
  bridge-group 200 spanning-disabled
!
interface FastEthernet40
  no ip address
  no ip directed-broadcast
  bridge-group 200
  bridge-group 200 spanning-disabled
!
interface FastEthernet41
  no ip address
  no ip directed-broadcast
  bridge-group 200
  bridge-group 200 spanning-disabled
!
interface FastEthernet42
  no ip address
  no ip directed-broadcast
  bridge-group 200
  bridge-group 200 spanning-disabled
!
interface FastEthernet43
  no ip address
  no ip directed-broadcast
  bridge-group 200
  bridge-group 200 spanning-disabled
!
interface FastEthernet44
  no ip address
  no ip directed-broadcast
!
interface FastEthernet44.1
  encapsulation isl 1
  no ip redirects
  no ip directed-broadcast
  bridge-group 1
!
interface FastEthernet44.30
  encapsulation isl 30
  ip address 10.30.30.1 255.255.255.0
  no ip redirects
  no ip directed-broadcast
!
interface FastEthernet45
  no ip address
  no ip directed-broadcast
  channel-group 2
!
interface FastEthernet46
  no ip address
  no ip directed-broadcast
  channel-group 2
!
interface FastEthernet47
  no ip address
```

```
no ip directed-broadcast
channel-group 2
!
interface FastEthernet48
no ip address
no ip directed-broadcast
channel-group 2
!
interface GigabitEthernet49
no ip address
no ip directed-broadcast
no negotiation auto
channel-group 1
!
interface GigabitEthernet50
no ip address
no ip directed-broadcast
no negotiation auto
channel-group 1
!
interface BVI1
ip address 10.1.1.1 255.255.255.0
no ip directed-broadcast
no ip route-cache cef
!
interface BVI200
ip address 10.200.200.1 255.255.255.0
no ip directed-broadcast
no ip route-cache cef
!
ip classless
!
bridge 1 protocol ieee
bridge 1 route ip
bridge 200 protocol ieee
bridge 200 route ip
!
line con 0
transport input none
line aux 0
line vty 0 4
password secret
login
!
end

2948G-L3#
```

Catalyst 3512XL組態

```
3512XL# show running-config
Building configuration...
```

```
Current configuration:
```

```
!
! Last configuration change at 12:52:31 PST Thu Jun 22 2000
! NVRAM config last updated at 12:52:32 PST Thu Jun 22 2000
!
version 12.0
no service pad
service timestamps debug datetime msec localtime
```

```
service timestamps log datetime msec localtime
no service password-encryption
!
hostname 3512XL
!
no logging console
enable password verysecret
!
!
!
!
!
clock timezone PST -8
!
ip subnet-zero
!
!
!
interface FastEthernet0/1
  switchport access vlan 100
  spanning-tree portfast
!
interface FastEthernet0/2
  switchport access vlan 100
  spanning-tree portfast
!
interface FastEthernet0/3
  switchport access vlan 100
  spanning-tree portfast
!
interface FastEthernet0/4
  switchport access vlan 100
  spanning-tree portfast
!
interface FastEthernet0/5
  switchport access vlan 100
  spanning-tree portfast
!
interface FastEthernet0/6
  switchport access vlan 100
  spanning-tree portfast
!
interface FastEthernet0/7
  switchport access vlan 100
  spanning-tree portfast
!
interface FastEthernet0/8
  switchport access vlan 100
  spanning-tree portfast
!
interface FastEthernet0/9
  switchport access vlan 100
  spanning-tree portfast
!
interface FastEthernet0/10
  switchport access vlan 100
  spanning-tree portfast
!
interface FastEthernet0/11
  switchport access vlan 100
  spanning-tree portfast
!
interface FastEthernet0/12
  switchport access vlan 100
```

```
spanning-tree portfast
!
interface GigabitEthernet0/1
no negotiation auto
port group 1
switchport mode trunk
!
interface GigabitEthernet0/2
no negotiation auto
port group 1
switchport mode trunk
!
interface VLAN1
ip address 10.1.1.2 255.255.255.0
no ip directed-broadcast
no ip route-cache
!
ip default-gateway 10.1.1.1
!
line con 0
transport input none
stopbits 1
line vty 0 4
password secret
login
line vty 5 15
login
!
end

3512XL#
```

Catalyst 2924XL組態

```
2924XL# show running-config
Building configuration...
```

```
Current configuration:
```

```
!
! Last configuration change at 12:58:30 PST Thu Jun 22 2000
! NVRAM config last updated at 12:58:40 PST Thu Jun 22 2000
!
version 12.0
no service pad
service timestamps debug datetime msec localtime
service timestamps log datetime msec localtime
no service password-encryption
!
hostname 2924XL
!
no logging console
enable password verysecret
!
!
!
!
clock timezone PST -8
!
ip subnet-zero
!
```

```
!  
!  
interface FastEthernet0/1  
  switchport access vlan 30  
  spanning-tree portfast  
!  
interface FastEthernet0/2  
  switchport access vlan 30  
  spanning-tree portfast  
!  
interface FastEthernet0/3  
  switchport access vlan 30  
  spanning-tree portfast  
!  
interface FastEthernet0/4  
  switchport access vlan 30  
  spanning-tree portfast  
!  
interface FastEthernet0/5  
  switchport access vlan 30  
  spanning-tree portfast  
!  
interface FastEthernet0/6  
  switchport access vlan 30  
  spanning-tree portfast  
!  
interface FastEthernet0/7  
  switchport access vlan 30  
  spanning-tree portfast  
!  
interface FastEthernet0/8  
  switchport access vlan 30  
  spanning-tree portfast  
!  
interface FastEthernet0/9  
  switchport access vlan 30  
  spanning-tree portfast  
!  
interface FastEthernet0/10  
  switchport access vlan 30  
  spanning-tree portfast  
!  
interface FastEthernet0/11  
  switchport access vlan 30  
  spanning-tree portfast  
!  
interface FastEthernet0/12  
  switchport access vlan 30  
  spanning-tree portfast  
!  
interface FastEthernet0/13  
  switchport access vlan 30  
  spanning-tree portfast  
!  
interface FastEthernet0/14  
  switchport access vlan 30  
  spanning-tree portfast  
!  
interface FastEthernet0/15  
  switchport access vlan 30  
  spanning-tree portfast  
!  
interface FastEthernet0/16  
  switchport access vlan 30
```

```
spanning-tree portfast
!
interface FastEthernet0/17
  switchport access vlan 30
  spanning-tree portfast
!
interface FastEthernet0/18
  switchport access vlan 30
  spanning-tree portfast
!
interface FastEthernet0/19
  switchport access vlan 30
  spanning-tree portfast
!
interface FastEthernet0/20
  switchport access vlan 30
  spanning-tree portfast
!
interface FastEthernet0/21
  switchport access vlan 30
  spanning-tree portfast
!
interface FastEthernet0/22
  switchport access vlan 30
  spanning-tree portfast
!
interface FastEthernet0/23
  switchport access vlan 30
  spanning-tree portfast
!
interface FastEthernet0/24
  switchport mode trunk
!
interface VLAN1
  ip address 10.1.1.4 255.255.255.0
  no ip directed-broadcast
  no ip route-cache
!
ip default-gateway 10.1.1.1
!
line con 0
  transport input none
  stopbits 1
line vty 0 4
  password secret
  login
line vty 5 15
  login
!
end

2924XL#
```

[Catalyst 3548XL配置](#)

```
3548XL# show running-config
Building configuration...
```

```
Current configuration:
```

```
!
! Last configuration change at 12:56:22 PST Thu Jun 22 2000
```

```
! NVRAM config last updated at 12:56:23 PST Thu Jun 22 2000
!
version 12.0
no service pad
service timestamps debug datetime msec localtime
service timestamps log datetime msec localtime
no service password-encryption
!
hostname 3548XL
!
no logging console
enable password verysecret
!
!
!
!
!
clock timezone PST -8
!
ip subnet-zero
!
!
!
interface FastEthernet0/1
  switchport access vlan 10
  spanning-tree portfast
!
interface FastEthernet0/2
  switchport access vlan 10
  spanning-tree portfast
!
interface FastEthernet0/3
  switchport access vlan 10
  spanning-tree portfast
!
interface FastEthernet0/4
  switchport access vlan 10
  spanning-tree portfast
!
interface FastEthernet0/5
  switchport access vlan 10
  spanning-tree portfast
!
interface FastEthernet0/6
  switchport access vlan 10
  spanning-tree portfast
!
interface FastEthernet0/7
  switchport access vlan 10
  spanning-tree portfast
!
interface FastEthernet0/8
  switchport access vlan 10
  spanning-tree portfast
!
interface FastEthernet0/9
  switchport access vlan 10
  spanning-tree portfast
!
interface FastEthernet0/10
  switchport access vlan 10
  spanning-tree portfast
!
interface FastEthernet0/11
```

```
switchport access vlan 10
spanning-tree portfast
!
interface FastEthernet0/12
switchport access vlan 10
spanning-tree portfast
!
interface FastEthernet0/13
switchport access vlan 10
spanning-tree portfast
!
interface FastEthernet0/14
switchport access vlan 10
spanning-tree portfast
!
interface FastEthernet0/15
switchport access vlan 10
spanning-tree portfast
!
interface FastEthernet0/16
switchport access vlan 10
spanning-tree portfast
!
interface FastEthernet0/17
switchport access vlan 10
spanning-tree portfast
!
interface FastEthernet0/18
switchport access vlan 10
spanning-tree portfast
!
interface FastEthernet0/19
switchport access vlan 10
spanning-tree portfast
!
interface FastEthernet0/20
switchport access vlan 10
spanning-tree portfast
!
interface FastEthernet0/21
switchport access vlan 10
spanning-tree portfast
!
interface FastEthernet0/22
switchport access vlan 10
spanning-tree portfast
!
interface FastEthernet0/23
switchport access vlan 10
spanning-tree portfast
!
interface FastEthernet0/24
switchport access vlan 10
spanning-tree portfast
!
interface FastEthernet0/25
switchport access vlan 20
spanning-tree portfast
!
interface FastEthernet0/26
switchport access vlan 20
spanning-tree portfast
!
interface FastEthernet0/27
```



```
switchport access vlan 20
spanning-tree portfast
!
interface FastEthernet0/28
switchport access vlan 20
spanning-tree portfast
!
interface FastEthernet0/29
switchport access vlan 20
spanning-tree portfast
!
interface FastEthernet0/30
switchport access vlan 20
spanning-tree portfast
!
interface FastEthernet0/31
switchport access vlan 20
spanning-tree portfast
!
interface FastEthernet0/32
switchport access vlan 20
spanning-tree portfast
!
interface FastEthernet0/33
switchport access vlan 20
spanning-tree portfast
!
interface FastEthernet0/34
switchport access vlan 20
spanning-tree portfast
!
interface FastEthernet0/35
switchport access vlan 20
spanning-tree portfast
!
interface FastEthernet0/36
switchport access vlan 20
spanning-tree portfast
!
interface FastEthernet0/37
switchport access vlan 20
spanning-tree portfast
!
interface FastEthernet0/38
switchport access vlan 20
spanning-tree portfast
!
interface FastEthernet0/39
switchport access vlan 20
spanning-tree portfast
!
interface FastEthernet0/40
switchport access vlan 20
spanning-tree portfast
!
interface FastEthernet0/41
switchport access vlan 20
spanning-tree portfast
!
interface FastEthernet0/42
switchport access vlan 20
spanning-tree portfast
!
interface FastEthernet0/43
```

```
switchport access vlan 20
spanning-tree portfast
!
interface FastEthernet0/44
switchport access vlan 20
spanning-tree portfast
!
interface FastEthernet0/45
port group 1
switchport mode trunk
!
interface FastEthernet0/46
port group 1
switchport mode trunk
!
interface FastEthernet0/47
port group 1
switchport mode trunk
!
interface FastEthernet0/48
port group 1
switchport mode trunk
!
interface GigabitEthernet0/1
!
interface GigabitEthernet0/2
!
interface VLAN1
ip address 10.1.1.3 255.255.255.0
no ip directed-broadcast
no ip route-cache
!
ip default-gateway 10.1.1.1
!
line con 0
transport input none
stopbits 1
line vty 0 4
password secret
login
line vty 5 15
login
!
end
```

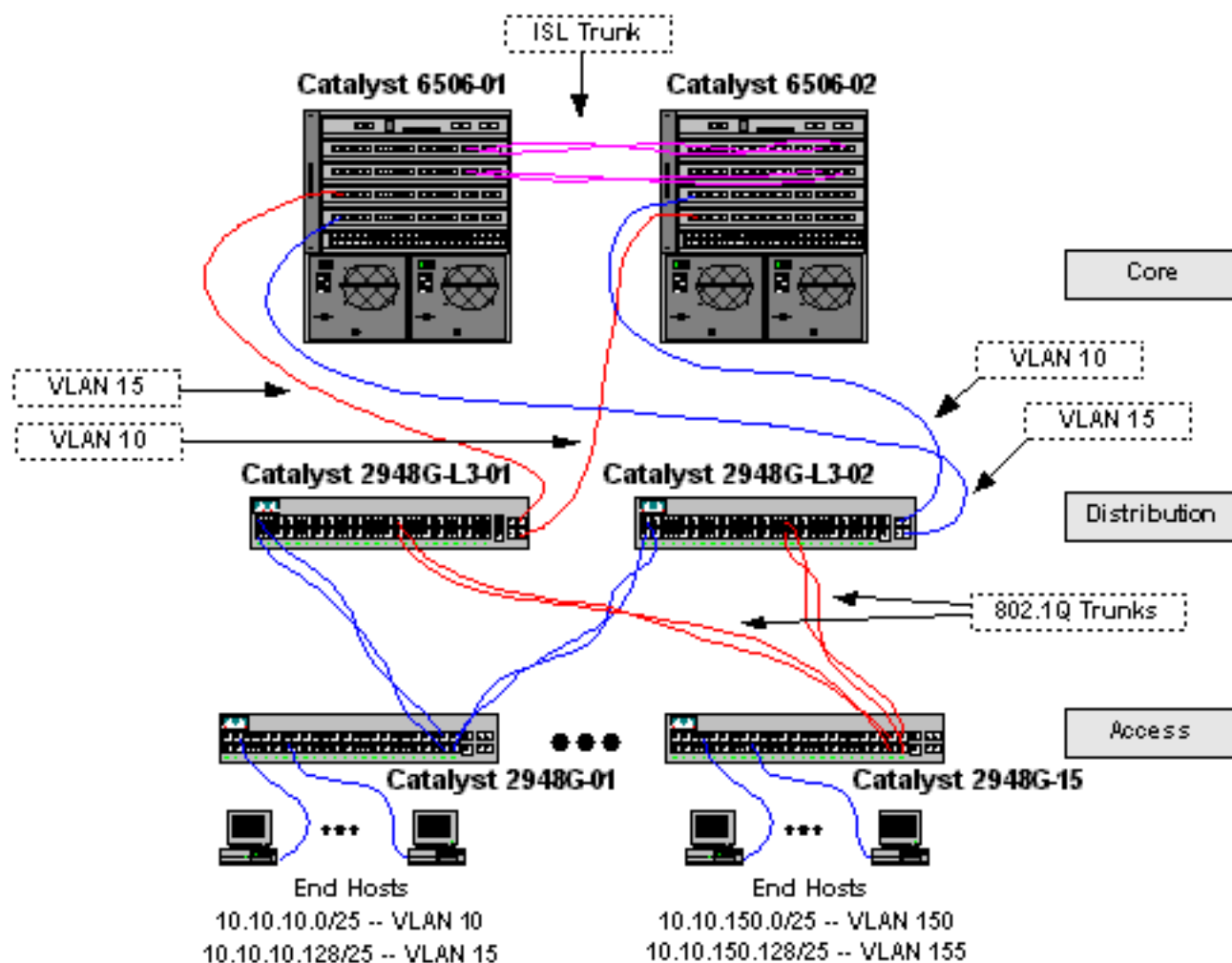
3548XL#

[示例3 — 連線到網路核心的多VLAN分佈層](#)

本節中的完整裝置配置與[示例3:連線到Catalyst 2948G-L3示例配置](#)的網路核心的多VLAN分佈層。

- [Catalyst 2948G-L3-01配置](#)
- [Catalyst 2948G-L3-02配置](#)
- [Catalyst 2948G-01配置](#)
- [Catalyst 2948G-15配置](#)
- [Catalyst 6506-01配置](#)
- [Catalyst 6506-02配置](#)

[圖3:範例3網路圖表](#)



Catalyst 2948G-L3-01配置

```
2948G-L3-01# show running-config
```

```
Building configuration...
```

```
Current configuration:
```

```
!
! Last configuration change at 07:30:32 PST Fri Jun 23 2000
! NVRAM config last updated at 07:30:33 PST Fri Jun 23 2000
!
version 12.0
no service pad
service timestamps debug datetime msec localtime
service timestamps log datetime msec localtime
no service password-encryption
!
hostname 2948G-L3-01
!
no logging console
enable password verysecret
!
clock timezone PST -8
clock calendar-valid
ip subnet-zero
!
!
!
interface Port-channel1
  description Channel_to_2948G-01
```

```
no ip address
no ip directed-broadcast
hold-queue 300 in
!
interface Port-channel1.1
encapsulation dot1Q 1 native
no ip redirects
no ip directed-broadcast
!
interface Port-channel1.10
encapsulation dot1Q 10
ip address 10.10.10.2 255.255.255.128
no ip redirects
no ip directed-broadcast
standby 10 priority 100
standby 10 preempt
standby 10 authentication C10-10
standby 10 ip 10.10.10.1
standby 10 track GigabitEthernet49 20
standby 10 track GigabitEthernet50 20
!
interface Port-channel1.15
encapsulation dot1Q 15
ip address 10.10.10.130 255.255.255.128
no ip redirects
no ip directed-broadcast
standby 15 priority 110
standby 15 preempt
standby 15 authentication C10-15
standby 15 ip 10.10.10.129
standby 15 track GigabitEthernet49 20
standby 15 track GigabitEthernet50 20
!
interface Port-channel2
description Channel_to_2948G-02
no ip address
no ip directed-broadcast
hold-queue 300 in
!
interface Port-channel2.1
encapsulation dot1Q 1 native
no ip redirects
no ip directed-broadcast
!
interface Port-channel2.20
encapsulation dot1Q 20
ip address 10.10.20.2 255.255.255.128
no ip redirects
no ip directed-broadcast
standby 20 priority 100
standby 20 preempt
standby 20 authentication C10-20
standby 20 ip 10.10.20.1
standby 20 track GigabitEthernet49 20
standby 20 track GigabitEthernet50 20
!
interface Port-channel2.25
encapsulation dot1Q 25
ip address 10.10.20.130 255.255.255.128
no ip redirects
no ip directed-broadcast
standby 25 priority 110
standby 25 preempt
standby 25 authentication C10-25
```

```
standby 25 ip 10.10.20.129
standby 25 track GigabitEthernet49 20
standby 25 track GigabitEthernet50 20
!
interface Port-channel3
description Channel_to_2948G-03
no ip address
no ip directed-broadcast
hold-queue 300 in
!
interface Port-channel3.1
encapsulation dot1Q 1 native
no ip redirects
no ip directed-broadcast
!
interface Port-channel3.30
encapsulation dot1Q 30
ip address 10.10.30.2 255.255.255.128
no ip redirects
no ip directed-broadcast
standby 30 priority 100
standby 30 preempt
standby 30 authentication C10-30
standby 30 ip 10.10.30.1
standby 30 track GigabitEthernet49 20
standby 30 track GigabitEthernet50 20
!
interface Port-channel3.35
encapsulation dot1Q 35
ip address 10.10.30.130 255.255.255.128
no ip redirects
no ip directed-broadcast
standby 35 priority 110
standby 35 preempt
standby 35 authentication C10-35
standby 35 ip 10.10.30.129
standby 35 track GigabitEthernet49 20
standby 35 track GigabitEthernet50 20
!
interface Port-channel4
description Channel_to_2948G-04
no ip address
no ip directed-broadcast
hold-queue 300 in
!
interface Port-channel4.1
encapsulation dot1Q 1 native
no ip redirects
no ip directed-broadcast
!
interface Port-channel4.40
encapsulation dot1Q 40
ip address 10.10.40.2 255.255.255.128
no ip redirects
no ip directed-broadcast
standby 40 priority 100
standby 40 preempt
standby 40 authentication C10-40
standby 40 ip 10.10.40.1
standby 40 track GigabitEthernet49 20
standby 40 track GigabitEthernet50 20
!
interface Port-channel4.45
encapsulation dot1Q 45
```

```
ip address 10.10.40.130 255.255.255.128
no ip redirects
no ip directed-broadcast
standby 45 priority 110
standby 45 preempt
standby 45 authentication C10-45
standby 45 ip 10.10.40.129
standby 45 track GigabitEthernet49 20
standby 45 track GigabitEthernet50 20
!
interface Port-channel5
description Channel_to_2948G-05
no ip address
no ip directed-broadcast
hold-queue 300 in
!
interface Port-channel5.1
encapsulation dot1Q 1 native
no ip redirects
no ip directed-broadcast
!
interface Port-channel5.50
encapsulation dot1Q 50
ip address 10.10.50.2 255.255.255.128
no ip redirects
no ip directed-broadcast
standby 50 priority 100
standby 50 preempt
standby 50 authentication C10-50
standby 50 ip 10.10.50.1
standby 50 track GigabitEthernet49 20
standby 50 track GigabitEthernet50 20
!
interface Port-channel5.55
encapsulation dot1Q 55
ip address 10.10.50.130 255.255.255.128
no ip redirects
no ip directed-broadcast
standby 55 priority 110
standby 55 preempt
standby 55 authentication C10-55
standby 55 ip 10.10.50.129
standby 55 track GigabitEthernet49 20
standby 55 track GigabitEthernet50 20
!
interface Port-channel6
description Channel_to_2948G-06
no ip address
no ip directed-broadcast
hold-queue 300 in
!
interface Port-channel6.1
encapsulation dot1Q 1 native
no ip redirects
no ip directed-broadcast
!
interface Port-channel6.60
encapsulation dot1Q 60
ip address 10.10.60.2 255.255.255.128
no ip redirects
no ip directed-broadcast
standby 60 priority 100
standby 60 preempt
standby 60 authentication C10-60
```

```
standby 60 ip 10.10.60.1
standby 60 track GigabitEthernet49 20
standby 60 track GigabitEthernet50 20
!
interface Port-channel6.65
encapsulation dot1Q 65
ip address 10.10.60.130 255.255.255.128
no ip redirects
no ip directed-broadcast
standby 65 priority 110
standby 65 preempt
standby 65 authentication C10-65
standby 65 ip 10.10.60.129
standby 65 track GigabitEthernet49 20
standby 65 track GigabitEthernet50 20
!
interface Port-channel7
description Channel_to_2948G-07
no ip address
no ip directed-broadcast
hold-queue 300 in
!
interface Port-channel7.1
encapsulation dot1Q 1 native
no ip redirects
no ip directed-broadcast
!
interface Port-channel7.70
encapsulation dot1Q 70
ip address 10.10.70.2 255.255.255.128
no ip redirects
no ip directed-broadcast
standby 70 priority 100
standby 70 preempt
standby 70 authentication C10-70
standby 70 ip 10.10.70.1
standby 70 track GigabitEthernet49 20
standby 70 track GigabitEthernet50 20
!
interface Port-channel7.75
encapsulation dot1Q 75
ip address 10.10.70.130 255.255.255.128
no ip redirects
no ip directed-broadcast
standby 75 priority 110
standby 75 preempt
standby 75 authentication C10-75
standby 75 ip 10.10.70.129
standby 75 track GigabitEthernet49 20
standby 75 track GigabitEthernet50 20
!
interface Port-channel8
description Channel_to_2948G-08
no ip address
no ip directed-broadcast
hold-queue 300 in
!
interface Port-channel8.1
encapsulation dot1Q 1 native
no ip redirects
no ip directed-broadcast
!
interface Port-channel8.80
encapsulation dot1Q 80
```

```
ip address 10.10.80.2 255.255.255.128
no ip redirects
no ip directed-broadcast
standby 80 priority 100
standby 80 preempt
standby 80 authentication C10-80
standby 80 ip 10.10.80.1
standby 80 track GigabitEthernet49 20
standby 80 track GigabitEthernet50 20
!
interface Port-channel8.85
encapsulation dot1Q 85
ip address 10.10.80.130 255.255.255.128
no ip redirects
no ip directed-broadcast
standby 85 priority 110
standby 85 preempt
standby 85 authentication C10-85
standby 85 ip 10.10.80.129
standby 85 track GigabitEthernet49 20
standby 85 track GigabitEthernet50 20
!
interface Port-channel9
description Channel_to_2948G-09
no ip address
no ip directed-broadcast
hold-queue 300 in
!
interface Port-channel9.1
encapsulation dot1Q 1 native
no ip redirects
no ip directed-broadcast
!
interface Port-channel9.90
encapsulation dot1Q 90
ip address 10.10.90.2 255.255.255.128
no ip redirects
no ip directed-broadcast
standby 90 priority 100
standby 90 preempt
standby 90 authentication C10-90
standby 90 ip 10.10.90.1
standby 90 track GigabitEthernet49 20
standby 90 track GigabitEthernet50 20
!
interface Port-channel9.95
encapsulation dot1Q 95
ip address 10.10.90.130 255.255.255.128
no ip redirects
no ip directed-broadcast
standby 95 priority 110
standby 95 preempt
standby 95 authentication C10-95
standby 95 ip 10.10.90.129
standby 95 track GigabitEthernet49 20
standby 95 track GigabitEthernet50 20
!
interface Port-channel10
description Channel_to_2948G-10
no ip address
no ip directed-broadcast
hold-queue 300 in
!
interface Port-channel10.1
```



```
encapsulation dot1Q 1 native
no ip redirects
no ip directed-broadcast
!
interface Port-channel10.100
encapsulation dot1Q 100
ip address 10.10.100.2 255.255.255.128
no ip redirects
no ip directed-broadcast
standby 100 priority 100
standby 100 preempt
standby 100 authentication C10-100
standby 100 ip 10.10.100.1
standby 100 track GigabitEthernet49 20
standby 100 track GigabitEthernet50 20
!
interface Port-channel10.105
encapsulation dot1Q 105
ip address 10.10.100.130 255.255.255.128
no ip redirects
no ip directed-broadcast
standby 105 priority 110
standby 105 preempt
standby 105 authentication C10-105
standby 105 ip 10.10.100.129
standby 105 track GigabitEthernet49 20
standby 105 track GigabitEthernet50 20
!
interface Port-channel11
description Channel_to_2948G-11
no ip address
no ip directed-broadcast
hold-queue 300 in
!
interface Port-channel11.1
encapsulation dot1Q 1 native
no ip redirects
no ip directed-broadcast
!
interface Port-channel11.110
encapsulation dot1Q 110
ip address 10.10.110.2 255.255.255.128
no ip redirects
no ip directed-broadcast
standby 110 priority 100
standby 110 preempt
standby 110 authentication C10-110
standby 110 ip 10.10.110.1
standby 110 track GigabitEthernet49 20
standby 110 track GigabitEthernet50 20
!
interface Port-channel11.115
encapsulation dot1Q 115
ip address 10.10.110.130 255.255.255.128
no ip redirects
no ip directed-broadcast
standby 115 priority 110
standby 115 preempt
standby 115 authentication C10-115
standby 115 ip 10.10.110.129
standby 115 track GigabitEthernet49 20
standby 115 track GigabitEthernet50 20
!
interface Port-channel12
```

```
description Channel_to_2948G-12
no ip address
no ip directed-broadcast
hold-queue 300 in
!
interface Port-channel12.1
encapsulation dot1Q 1 native
no ip redirects
no ip directed-broadcast
!
interface Port-channel12.120
encapsulation dot1Q 120
ip address 10.10.120.2 255.255.255.128
no ip redirects
no ip directed-broadcast
standby 120 priority 100
standby 120 preempt
standby 120 authentication C10-120
standby 120 ip 10.10.120.1
standby 120 track GigabitEthernet49 20
standby 120 track GigabitEthernet50 20
!
interface Port-channel12.125
encapsulation dot1Q 125
ip address 10.10.120.130 255.255.255.128
no ip redirects
no ip directed-broadcast
standby 125 priority 110
standby 125 preempt
standby 125 authentication C10-125
standby 125 ip 10.10.120.129
standby 125 track GigabitEthernet49 20
standby 125 track GigabitEthernet50 20
!
interface Port-channel13
description Channel_to_2948G-13
no ip address
no ip directed-broadcast
hold-queue 300 in
!
interface Port-channel13.1
encapsulation dot1Q 1 native
no ip redirects
no ip directed-broadcast
!
interface Port-channel13.130
encapsulation dot1Q 130
ip address 10.10.130.2 255.255.255.128
no ip redirects
no ip directed-broadcast
standby 130 priority 100
standby 130 preempt
standby 130 authentication C10-130
standby 130 ip 10.10.130.1
standby 130 track GigabitEthernet49 20
standby 130 track GigabitEthernet50 20
!
interface Port-channel13.135
encapsulation dot1Q 135
ip address 10.10.130.130 255.255.255.128
no ip redirects
no ip directed-broadcast
standby 135 priority 110
standby 135 preempt
```

```
standby 135 authentication C10-135
standby 135 ip 10.10.130.129
standby 135 track GigabitEthernet49 20
standby 135 track GigabitEthernet50 20
!
interface Port-channel14
description Channel_to_2948G-14
no ip address
no ip directed-broadcast
hold-queue 300 in
!
interface Port-channel14.1
encapsulation dot1Q 1 native
no ip redirects
no ip directed-broadcast
!
interface Port-channel14.140
encapsulation dot1Q 140
ip address 10.10.140.2 255.255.255.128
no ip redirects
no ip directed-broadcast
standby 140 priority 100
standby 140 preempt
standby 140 authentication C10-140
standby 140 ip 10.10.140.1
standby 140 track GigabitEthernet49 20
standby 140 track GigabitEthernet50 20
!
interface Port-channel14.145
encapsulation dot1Q 145
ip address 10.10.140.130 255.255.255.128
no ip redirects
no ip directed-broadcast
standby 145 priority 110
standby 145 preempt
standby 145 authentication C10-145
standby 145 ip 10.10.140.129
standby 145 track GigabitEthernet49 20
standby 145 track GigabitEthernet50 20
!
interface Port-channel15
description Channel_to_2948G-15
no ip address
no ip directed-broadcast
hold-queue 300 in
!
interface Port-channel15.1
encapsulation dot1Q 1 native
no ip redirects
no ip directed-broadcast
!
interface Port-channel15.150
encapsulation dot1Q 150
ip address 10.10.150.2 255.255.255.128
no ip redirects
no ip directed-broadcast
standby 150 priority 100
standby 150 preempt
standby 150 authentication C10-150
standby 150 ip 10.10.150.1
standby 150 track GigabitEthernet49 20
standby 150 track GigabitEthernet50 20
!
interface Port-channel15.155
```

```
encapsulation dot1Q 155
ip address 10.10.150.130 255.255.255.128
no ip redirects
no ip directed-broadcast
standby 155 priority 110
standby 155 preempt
standby 155 authentication C10-155
standby 155 ip 10.10.150.129
standby 155 track GigabitEthernet49 20
standby 155 track GigabitEthernet50 20
!
interface FastEthernet1
no ip address
no ip directed-broadcast
channel-group 1
!
interface FastEthernet2
no ip address
no ip directed-broadcast
channel-group 1
!
interface FastEthernet3
no ip address
no ip directed-broadcast
channel-group 2
!
interface FastEthernet4
no ip address
no ip directed-broadcast
channel-group 2
!
interface FastEthernet5
no ip address
no ip directed-broadcast
channel-group 3
!
interface FastEthernet6
no ip address
no ip directed-broadcast
channel-group 3
!
interface FastEthernet7
no ip address
no ip directed-broadcast
channel-group 4
!
interface FastEthernet8
no ip address
no ip directed-broadcast
channel-group 4
!
interface FastEthernet9
no ip address
no ip directed-broadcast
channel-group 5
!
interface FastEthernet10
no ip address
no ip directed-broadcast
channel-group 5
!
interface FastEthernet11
no ip address
no ip directed-broadcast
```

```
channel-group 6
!
interface FastEthernet12
no ip address
no ip directed-broadcast
channel-group 6
!
interface FastEthernet13
no ip address
no ip directed-broadcast
channel-group 7
!
interface FastEthernet14
no ip address
no ip directed-broadcast
channel-group 7
!
interface FastEthernet15
no ip address
no ip directed-broadcast
channel-group 8
!
interface FastEthernet16
no ip address
no ip directed-broadcast
channel-group 8
!
interface FastEthernet17
no ip address
no ip directed-broadcast
channel-group 9
!
interface FastEthernet18
no ip address
no ip directed-broadcast
channel-group 9
!
interface FastEthernet19
no ip address
no ip directed-broadcast
channel-group 10
!
interface FastEthernet20
no ip address
no ip directed-broadcast
channel-group 10
!
interface FastEthernet21
no ip address
no ip directed-broadcast
channel-group 11
!
interface FastEthernet22
no ip address
no ip directed-broadcast
channel-group 11
!
interface FastEthernet23
no ip address
no ip directed-broadcast
channel-group 12
!
interface FastEthernet24
no ip address
```

```
no ip directed-broadcast
channel-group 12
!
interface FastEthernet25
no ip address
no ip directed-broadcast
channel-group 13
!
interface FastEthernet26
no ip address
no ip directed-broadcast
channel-group 13
!
interface FastEthernet27
no ip address
no ip directed-broadcast
channel-group 14
!
interface FastEthernet28
no ip address
no ip directed-broadcast
channel-group 14
!
interface FastEthernet29
no ip address
no ip directed-broadcast
channel-group 15
!
interface FastEthernet30
no ip address
no ip directed-broadcast
channel-group 15
!
interface FastEthernet31
no ip address
no ip directed-broadcast
shutdown
!
interface FastEthernet32
no ip address
no ip directed-broadcast
shutdown
!
interface FastEthernet33
no ip address
no ip directed-broadcast
shutdown
!
interface FastEthernet34
no ip address
no ip directed-broadcast
shutdown
!
interface FastEthernet35
no ip address
no ip directed-broadcast
shutdown
!
interface FastEthernet36
no ip address
no ip directed-broadcast
shutdown
!
interface FastEthernet37
```

```
no ip address
no ip directed-broadcast
shutdown
!
interface FastEthernet38
no ip address
no ip directed-broadcast
shutdown
!
interface FastEthernet39
no ip address
no ip directed-broadcast
shutdown
!
interface FastEthernet40
no ip address
no ip directed-broadcast
shutdown
!
interface FastEthernet41
no ip address
no ip directed-broadcast
shutdown
!
interface FastEthernet42
no ip address
no ip directed-broadcast
shutdown
!
interface FastEthernet43
no ip address
no ip directed-broadcast
shutdown
!
interface FastEthernet44
no ip address
no ip directed-broadcast
shutdown
!
interface FastEthernet45
no ip address
no ip directed-broadcast
shutdown
!
interface FastEthernet46
no ip address
no ip directed-broadcast
shutdown
!
interface FastEthernet47
no ip address
no ip directed-broadcast
shutdown
!
interface FastEthernet48
no ip address
no ip directed-broadcast
shutdown
!
interface GigabitEthernet49
description CoreVLAN15
ip address 10.10.0.19 255.255.255.240
no ip directed-broadcast
ip summary-address eigrp 10 10.10.0.0 255.255.0.0
```

```
!  
interface GigabitEthernet50  
  description CoreVLAN10  
  ip address 10.10.0.3 255.255.255.240  
  no ip directed-broadcast  
  ip summary-address eigrp 10 10.10.0.0 255.255.0.0  
  delay 15  
!  
router eigrp 10  
  passive-interface default  
  no passive-interface GigabitEthernet49  
  no passive-interface GigabitEthernet50  
  network 10.0.0.0  
!  
ip classless  
!  
!  
line con 0  
  transport input none  
line aux 0  
line vty 0 4  
  password secret  
  login  
!  
end  
  
2948G-L3-01#
```

[Catalyst 2948G-L3-02配置](#)

```
2948G-L3-02# show running-config  
Building configuration...
```

Current configuration:

```
!  
! Last configuration change at 07:45:32 PST Fri Jun 23 2000  
! NVRAM config last updated at 07:45:33 PST Fri Jun 23 2000  
!  
version 12.0  
no service pad  
service timestamps debug datetime msec localtime  
service timestamps log datetime msec localtime  
no service password-encryption  
!  
hostname 2948G-L3-02  
!  
no logging console  
enable password verysecret  
!  
clock timezone PST -8  
clock calendar-valid  
ip subnet-zero  
!  
!  
!  
interface Port-channel1  
  description Channel_to_2948G-01  
  no ip address  
  no ip directed-broadcast  
  hold-queue 300 in  
!
```



```
interface Port-channel1.1
 encapsulation dot1Q 1 native
 no ip redirects
 no ip directed-broadcast
!
interface Port-channel1.10
 encapsulation dot1Q 10
 ip address 10.10.10.3 255.255.255.128
 no ip redirects
 no ip directed-broadcast
 standby 10 priority 110
 standby 10 preempt
 standby 10 authentication C10-10
 standby 10 ip 10.10.10.1
 standby 10 track GigabitEthernet49 20
 standby 10 track GigabitEthernet50 20
!
interface Port-channel1.15
 encapsulation dot1Q 15
 ip address 10.10.10.131 255.255.255.128
 no ip redirects
 no ip directed-broadcast
 standby 15 priority 100
 standby 15 preempt
 standby 15 authentication C10-15
 standby 15 ip 10.10.10.129
 standby 15 track GigabitEthernet49 20
 standby 15 track GigabitEthernet50 20
!
interface Port-channel2
 description Channel_to_2948G-02
 no ip address
 no ip directed-broadcast
 hold-queue 300 in
!
interface Port-channel2.1
 encapsulation dot1Q 1 native
 no ip redirects
 no ip directed-broadcast
!
interface Port-channel2.20
 encapsulation dot1Q 20
 ip address 10.10.20.3 255.255.255.128
 no ip redirects
 no ip directed-broadcast
 standby 20 priority 110
 standby 20 preempt
 standby 20 authentication C10-20
 standby 20 ip 10.10.20.1
 standby 20 track GigabitEthernet49 20
 standby 20 track GigabitEthernet50 20
!
interface Port-channel2.25
 encapsulation dot1Q 25
 ip address 10.10.20.131 255.255.255.128
 no ip redirects
 no ip directed-broadcast
 standby 25 priority 100
 standby 25 preempt
 standby 25 authentication C10-25
 standby 25 ip 10.10.20.129
 standby 25 track GigabitEthernet49 20
 standby 25 track GigabitEthernet50 20
!
```

```
interface Port-channel3
  description Channel_to_2948G-03
  no ip address
  no ip directed-broadcast
  hold-queue 300 in
!
interface Port-channel3.1
  encapsulation dot1Q 1 native
  no ip redirects
  no ip directed-broadcast
!
interface Port-channel3.30
  encapsulation dot1Q 30
  ip address 10.10.30.3 255.255.255.128
  no ip redirects
  no ip directed-broadcast
  standby 30 priority 110
  standby 30 preempt
  standby 30 authentication C10-30
  standby 30 ip 10.10.30.1
  standby 30 track GigabitEthernet49 20
  standby 30 track GigabitEthernet50 20
!
interface Port-channel3.35
  encapsulation dot1Q 35
  ip address 10.10.30.131 255.255.255.128
  no ip redirects
  no ip directed-broadcast
  standby 35 priority 100
  standby 35 preempt
  standby 35 authentication C10-35
  standby 35 ip 10.10.30.129
  standby 35 track GigabitEthernet49 20
  standby 35 track GigabitEthernet50 20
!
interface Port-channel4
  description Channel_to_2948G-04
  no ip address
  no ip directed-broadcast
  hold-queue 300 in
!
interface Port-channel4.1
  encapsulation dot1Q 1 native
  no ip redirects
  no ip directed-broadcast
!
interface Port-channel4.40
  encapsulation dot1Q 40
  ip address 10.10.40.3 255.255.255.128
  no ip redirects
  no ip directed-broadcast
  standby 40 priority 110
  standby 40 preempt
  standby 40 authentication C10-40
  standby 40 ip 10.10.40.1
  standby 40 track GigabitEthernet49 20
  standby 40 track GigabitEthernet50 20
!
interface Port-channel4.45
  encapsulation dot1Q 45
  ip address 10.10.40.131 255.255.255.128
  no ip redirects
  no ip directed-broadcast
  standby 45 priority 100
```

```
standby 45 preempt
standby 45 authentication C10-45
standby 45 ip 10.10.40.129
standby 45 track GigabitEthernet49 20
standby 45 track GigabitEthernet50 20
!
interface Port-channel5
description Channel_to_2948G-05
no ip address
no ip directed-broadcast
hold-queue 300 in
!
interface Port-channel5.1
encapsulation dot1Q 1 native
no ip redirects
no ip directed-broadcast
!
interface Port-channel5.50
encapsulation dot1Q 50
ip address 10.10.50.3 255.255.255.128
no ip redirects
no ip directed-broadcast
standby 50 priority 110
standby 50 preempt
standby 50 authentication C10-50
standby 50 ip 10.10.50.1
standby 50 track GigabitEthernet49 20
standby 50 track GigabitEthernet50 20
!
interface Port-channel5.55
encapsulation dot1Q 55
ip address 10.10.50.131 255.255.255.128
no ip redirects
no ip directed-broadcast
standby 55 priority 100
standby 55 preempt
standby 55 authentication C10-55
standby 55 ip 10.10.50.129
standby 55 track GigabitEthernet49 20
standby 55 track GigabitEthernet50 20
!
interface Port-channel6
description Channel_to_2948G-06
no ip address
no ip directed-broadcast
hold-queue 300 in
!
interface Port-channel6.1
encapsulation dot1Q 1 native
no ip redirects
no ip directed-broadcast
!
interface Port-channel6.60
encapsulation dot1Q 60
ip address 10.10.60.3 255.255.255.128
no ip redirects
no ip directed-broadcast
standby 60 priority 110
standby 60 preempt
standby 60 authentication C10-60
standby 60 ip 10.10.60.1
standby 60 track GigabitEthernet49 20
standby 60 track GigabitEthernet50 20
!
```

```
interface Port-channel6.65
 encapsulation dot1Q 65
 ip address 10.10.60.131 255.255.255.128
 no ip redirects
 no ip directed-broadcast
 standby 65 priority 100
 standby 65 preempt
 standby 65 authentication C10-65
 standby 65 ip 10.10.60.129
 standby 65 track GigabitEthernet49 20
 standby 65 track GigabitEthernet50 20
!
interface Port-channel7
 description Channel_to_2948G-07
 no ip address
 no ip directed-broadcast
 hold-queue 300 in
!
interface Port-channel7.1
 encapsulation dot1Q 1 native
 no ip redirects
 no ip directed-broadcast
!
interface Port-channel7.70
 encapsulation dot1Q 70
 ip address 10.10.70.3 255.255.255.128
 no ip redirects
 no ip directed-broadcast
 standby 70 priority 110
 standby 70 preempt
 standby 70 authentication C10-70
 standby 70 ip 10.10.70.1
 standby 70 track GigabitEthernet49 20
 standby 70 track GigabitEthernet50 20
!
interface Port-channel7.75
 encapsulation dot1Q 75
 ip address 10.10.70.131 255.255.255.128
 no ip redirects
 no ip directed-broadcast
 standby 75 priority 100
 standby 75 preempt
 standby 75 authentication C10-75
 standby 75 ip 10.10.70.129
 standby 75 track GigabitEthernet49 20
 standby 75 track GigabitEthernet50 20
!
interface Port-channel8
 description Channel_to_2948G-08
 no ip address
 no ip directed-broadcast
 hold-queue 300 in
!
interface Port-channel8.1
 encapsulation dot1Q 1 native
 no ip redirects
 no ip directed-broadcast
!
interface Port-channel8.80
 encapsulation dot1Q 80
 ip address 10.10.80.3 255.255.255.128
 no ip redirects
 no ip directed-broadcast
 standby 80 priority 110
```

```
standby 80 preempt
standby 80 authentication C10-80
standby 80 ip 10.10.80.1
standby 80 track GigabitEthernet49 20
standby 80 track GigabitEthernet50 20
!
interface Port-channel8.85
encapsulation dot1Q 85
ip address 10.10.80.131 255.255.255.128
no ip redirects
no ip directed-broadcast
standby 85 priority 100
standby 85 preempt
standby 85 authentication C10-85
standby 85 ip 10.10.80.129
standby 85 track GigabitEthernet49 20
standby 85 track GigabitEthernet50 20
!
interface Port-channel9
description Channel_to_2948G-09
no ip address
no ip directed-broadcast
hold-queue 300 in
!
interface Port-channel9.1
encapsulation dot1Q 1 native
no ip redirects
no ip directed-broadcast
!
interface Port-channel9.90
encapsulation dot1Q 90
ip address 10.10.90.3 255.255.255.128
no ip redirects
no ip directed-broadcast
standby 90 priority 110
standby 90 preempt
standby 90 authentication C10-90
standby 90 ip 10.10.90.1
standby 90 track GigabitEthernet49 20
standby 90 track GigabitEthernet50 20
!
interface Port-channel9.95
encapsulation dot1Q 95
ip address 10.10.90.131 255.255.255.128
no ip redirects
no ip directed-broadcast
standby 95 priority 100
standby 95 preempt
standby 95 authentication C10-95
standby 95 ip 10.10.90.129
standby 95 track GigabitEthernet49 20
standby 95 track GigabitEthernet50 20
!
interface Port-channel10
description Channel_to_2948G-10
no ip address
no ip directed-broadcast
hold-queue 300 in
!
interface Port-channel10.1
encapsulation dot1Q 1 native
no ip redirects
no ip directed-broadcast
!
```

```
interface Port-channel10.100
encapsulation dot1Q 100
ip address 10.10.100.3 255.255.255.128
no ip redirects
no ip directed-broadcast
standby 100 priority 110
standby 100 preempt
standby 100 authentication C10-100
standby 100 ip 10.10.100.1
standby 100 track GigabitEthernet49 20
standby 100 track GigabitEthernet50 20
!
interface Port-channel10.105
encapsulation dot1Q 105
ip address 10.10.100.131 255.255.255.128
no ip redirects
no ip directed-broadcast
standby 105 priority 100
standby 105 preempt
standby 105 authentication C10-105
standby 105 ip 10.10.100.129
standby 105 track GigabitEthernet49 20
standby 105 track GigabitEthernet50 20
!
interface Port-channel11
description Channel_to_2948G-11
no ip address
no ip directed-broadcast
hold-queue 300 in
!
interface Port-channel11.1
encapsulation dot1Q 1 native
no ip redirects
no ip directed-broadcast
!
interface Port-channel11.110
encapsulation dot1Q 110
ip address 10.10.110.3 255.255.255.128
no ip redirects
no ip directed-broadcast
standby 110 priority 110
standby 110 preempt
standby 110 authentication C10-110
standby 110 ip 10.10.110.1
standby 110 track GigabitEthernet49 20
standby 110 track GigabitEthernet50 20
!
interface Port-channel11.115
encapsulation dot1Q 115
ip address 10.10.110.131 255.255.255.128
no ip redirects
no ip directed-broadcast
standby 115 priority 100
standby 115 preempt
standby 115 authentication C10-115
standby 115 ip 10.10.110.129
standby 115 track GigabitEthernet49 20
standby 115 track GigabitEthernet50 20
!
interface Port-channel12
description Channel_to_2948G-12
no ip address
no ip directed-broadcast
hold-queue 300 in
```

```
!  
interface Port-channel12.1  
  encapsulation dot1Q 1 native  
  no ip redirects  
  no ip directed-broadcast  
!  
interface Port-channel12.120  
  encapsulation dot1Q 120  
  ip address 10.10.120.3 255.255.255.128  
  no ip redirects  
  no ip directed-broadcast  
  standby 120 priority 110  
  standby 120 preempt  
  standby 120 authentication C10-120  
  standby 120 ip 10.10.120.1  
  standby 120 track GigabitEthernet49 20  
  standby 120 track GigabitEthernet50 20  
!  
interface Port-channel12.125  
  encapsulation dot1Q 125  
  ip address 10.10.120.131 255.255.255.128  
  no ip redirects  
  no ip directed-broadcast  
  standby 125 priority 100  
  standby 125 preempt  
  standby 125 authentication C10-125  
  standby 125 ip 10.10.120.129  
  standby 125 track GigabitEthernet49 20  
  standby 125 track GigabitEthernet50 20  
!  
interface Port-channel13  
  description Channel_to_2948G-13  
  no ip address  
  no ip directed-broadcast  
  hold-queue 300 in  
!  
interface Port-channel13.1  
  encapsulation dot1Q 1 native  
  no ip redirects  
  no ip directed-broadcast  
!  
interface Port-channel13.130  
  encapsulation dot1Q 130  
  ip address 10.10.130.3 255.255.255.128  
  no ip redirects  
  no ip directed-broadcast  
  standby 130 priority 110  
  standby 130 preempt  
  standby 130 authentication C10-130  
  standby 130 ip 10.10.130.1  
  standby 130 track GigabitEthernet49 20  
  standby 130 track GigabitEthernet50 20  
!  
interface Port-channel13.135  
  encapsulation dot1Q 135  
  ip address 10.10.130.131 255.255.255.128  
  no ip redirects  
  no ip directed-broadcast  
  standby 135 priority 100  
  standby 135 preempt  
  standby 135 authentication C10-135  
  standby 135 ip 10.10.130.129  
  standby 135 track GigabitEthernet49 20  
  standby 135 track GigabitEthernet50 20
```

```
!  
interface Port-channel14  
  description Channel_to_2948G-14  
  no ip address  
  no ip directed-broadcast  
  hold-queue 300 in  
!  
interface Port-channel14.1  
  encapsulation dot1Q 1 native  
  no ip redirects  
  no ip directed-broadcast  
!  
interface Port-channel14.140  
  encapsulation dot1Q 140  
  ip address 10.10.140.3 255.255.255.128  
  no ip redirects  
  no ip directed-broadcast  
  standby 140 priority 110  
  standby 140 preempt  
  standby 140 authentication C10-140  
  standby 140 ip 10.10.140.1  
  standby 140 track GigabitEthernet49 20  
  standby 140 track GigabitEthernet50 20  
!  
interface Port-channel14.145  
  encapsulation dot1Q 145  
  ip address 10.10.140.131 255.255.255.128  
  no ip redirects  
  no ip directed-broadcast  
  standby 145 priority 100  
  standby 145 preempt  
  standby 145 authentication C10-145  
  standby 145 ip 10.10.140.129  
  standby 145 track GigabitEthernet49 20  
  standby 145 track GigabitEthernet50 20  
!  
interface Port-channel15  
  description Channel_to_2948G-15  
  no ip address  
  no ip directed-broadcast  
  hold-queue 300 in  
!  
interface Port-channel15.1  
  encapsulation dot1Q 1 native  
  no ip redirects  
  no ip directed-broadcast  
!  
interface Port-channel15.150  
  encapsulation dot1Q 150  
  ip address 10.10.150.3 255.255.255.128  
  no ip redirects  
  no ip directed-broadcast  
  standby 150 priority 110  
  standby 150 preempt  
  standby 150 authentication C10-150  
  standby 150 ip 10.10.150.1  
  standby 150 track GigabitEthernet49 20  
  standby 150 track GigabitEthernet50 20  
!  
interface Port-channel15.155  
  encapsulation dot1Q 155  
  ip address 10.10.150.131 255.255.255.128  
  no ip redirects  
  no ip directed-broadcast
```



```
standby 155 priority 100
standby 155 preempt
standby 155 authentication C10-155
standby 155 ip 10.10.150.129
standby 155 track GigabitEthernet49 20
standby 155 track GigabitEthernet50 20
!
interface FastEthernet1
no ip address
no ip directed-broadcast
channel-group 1
!
interface FastEthernet2
no ip address
no ip directed-broadcast
channel-group 1
!
interface FastEthernet3
no ip address
no ip directed-broadcast
channel-group 2
!
interface FastEthernet4
no ip address
no ip directed-broadcast
channel-group 2
!
interface FastEthernet5
no ip address
no ip directed-broadcast
channel-group 3
!
interface FastEthernet6
no ip address
no ip directed-broadcast
channel-group 3
!
interface FastEthernet7
no ip address
no ip directed-broadcast
channel-group 4
!
interface FastEthernet8
no ip address
no ip directed-broadcast
channel-group 4
!
interface FastEthernet9
no ip address
no ip directed-broadcast
channel-group 5
!
interface FastEthernet10
no ip address
no ip directed-broadcast
channel-group 5
!
interface FastEthernet11
no ip address
no ip directed-broadcast
channel-group 6
!
interface FastEthernet12
no ip address
```

```
no ip directed-broadcast
channel-group 6
!
interface FastEthernet13
no ip address
no ip directed-broadcast
channel-group 7
!
interface FastEthernet14
no ip address
no ip directed-broadcast
channel-group 7
!
interface FastEthernet15
no ip address
no ip directed-broadcast
channel-group 8
!
interface FastEthernet16
no ip address
no ip directed-broadcast
channel-group 8
!
interface FastEthernet17
no ip address
no ip directed-broadcast
channel-group 9
!
interface FastEthernet18
no ip address
no ip directed-broadcast
channel-group 9
!
interface FastEthernet19
no ip address
no ip directed-broadcast
channel-group 10
!
interface FastEthernet20
no ip address
no ip directed-broadcast
channel-group 10
!
interface FastEthernet21
no ip address
no ip directed-broadcast
channel-group 11
!
interface FastEthernet22
no ip address
no ip directed-broadcast
channel-group 11
!
interface FastEthernet23
no ip address
no ip directed-broadcast
channel-group 12
!
interface FastEthernet24
no ip address
no ip directed-broadcast
channel-group 12
!
interface FastEthernet25
```

```
no ip address
no ip directed-broadcast
channel-group 13
!
interface FastEthernet26
no ip address
no ip directed-broadcast
channel-group 13
!
interface FastEthernet27
no ip address
no ip directed-broadcast
channel-group 14
!
interface FastEthernet28
no ip address
no ip directed-broadcast
channel-group 14
!
interface FastEthernet29
no ip address
no ip directed-broadcast
channel-group 15
!
interface FastEthernet30
no ip address
no ip directed-broadcast
channel-group 15
!
interface FastEthernet31
no ip address
no ip directed-broadcast
shutdown
!
interface FastEthernet32
no ip address
no ip directed-broadcast
shutdown
!
interface FastEthernet33
no ip address
no ip directed-broadcast
shutdown
!
interface FastEthernet34
no ip address
no ip directed-broadcast
shutdown
!
interface FastEthernet35
no ip address
no ip directed-broadcast
shutdown
!
interface FastEthernet36
no ip address
no ip directed-broadcast
shutdown
!
interface FastEthernet37
no ip address
no ip directed-broadcast
shutdown
!
```

```
interface FastEthernet38
  no ip address
  no ip directed-broadcast
  shutdown
!
interface FastEthernet39
  no ip address
  no ip directed-broadcast
  shutdown
!
interface FastEthernet40
  no ip address
  no ip directed-broadcast
  shutdown
!
interface FastEthernet41
  no ip address
  no ip directed-broadcast
  shutdown
!
interface FastEthernet42
  no ip address
  no ip directed-broadcast
  shutdown
!
interface FastEthernet43
  no ip address
  no ip directed-broadcast
  shutdown
!
interface FastEthernet44
  no ip address
  no ip directed-broadcast
  shutdown
!
interface FastEthernet45
  no ip address
  no ip directed-broadcast
  shutdown
!
interface FastEthernet46
  no ip address
  no ip directed-broadcast
  shutdown
!
interface FastEthernet47
  no ip address
  no ip directed-broadcast
  shutdown
!
interface FastEthernet48
  no ip address
  no ip directed-broadcast
  shutdown
!
interface GigabitEthernet49
  description CoreVLAN10
  ip address 10.10.0.4 255.255.255.240
  no ip directed-broadcast
  ip summary-address eigrp 10 10.10.0.0 255.255.0.0
!
interface GigabitEthernet50
  description CoreVLAN15
  ip address 10.10.0.20 255.255.255.240
```

```
no ip directed-broadcast
ip summary-address eigrp 10 10.10.0.0 255.255.0.0
delay 15
!
router eigrp 10
  passive-interface default
  no passive-interface GigabitEthernet49
  no passive-interface GigabitEthernet50
  network 10.0.0.0
!
ip classless
!
!
line con 0
  transport input none
line aux 0
line vty 0 4
  password secret
  login
!
end

2948G-L3-02#
```

[Catalyst 2948G-01配置](#)

```
2948G-01> (enable) show config
This command shows non-default configurations only.
Use 'show config all' to show both default and non-default configurations.
.....

.....
..

begin
!
# ***** NON-DEFAULT CONFIGURATION *****
!
!
#time: Mon Jun 22 2000, 15:39:38
!
#version 5.4(3)
!
!
#system web interface version
!
set enablepass $2$FNl3$8MSzcpVMg1H2aWfll13aZ.
!
#system
set system name 2948G-01
set system location Closet10-01
set system contact sysadmin@corp.com
!
#frame distribution method
set port channel all distribution mac both
!
#vtp
set vtp domain Closet-10-01
set vtp mode transparent
set vlan 1 name default type ethernet mtu 1500 said 100001 state active
set vlan 10 name 10.10.10.0/25 type ethernet mtu 1500 said 100010 state active
```

```
set vlan 15 name 10.10.10.128/25 type ethernet mtu 1500 said 100015 state
active
set vlan 1002 name fddi-default type fddi mtu 1500 said 101002 state active
set vlan 1004 name fddinet-default type fddinet mtu 1500 said 101004 state
active stp ieee
set vlan 1005 name trnet-default type trbrf mtu 1500 said 101005 state active
stp ibm
set vlan 1003 name token-ring-default type trcrf mtu 1500 said 101003 state
active mode srb aremaxhop 7 stemaxhop 7 backupcrf off
!
#ip
set interface sc0 10 10.10.10.4/255.255.255.128 10.10.10.127

set interface sl0 down
set interface mel down
set ip route 0.0.0.0/0.0.0.0          10.10.10.1
!
#syslog
set logging console disable
!
#set boot command
set boot config-register 0x2102
set boot system flash bootflash:cat4000.5-4-2.bin
set boot system flash bootflash:cat4000.5-2-2.bin
set boot system flash bootflash:cat4000.4-5-2.bin
!
#port channel
set port channel 2/45-46 40
set port channel 2/47-48 41
!
#module 1 : 0-port Switching Supervisor
!
#module 2 : 50-port 10/100/1000 Ethernet
set vlan 10    2/1-22
set vlan 15    2/23-44
set port name    2/45 2948G-L3-01_Uplink
set port name    2/46 2948G-L3-01_Uplink
set port name    2/47 2948G-L3-02_Uplink
set port name    2/48 2948G-L3-02_Uplink
set trunk 2/1   off dot1q 1-1005
set trunk 2/2   off dot1q 1-1005
set trunk 2/3   off dot1q 1-1005
set trunk 2/4   off dot1q 1-1005
set trunk 2/5   off dot1q 1-1005
set trunk 2/6   off dot1q 1-1005
set trunk 2/7   off dot1q 1-1005
set trunk 2/8   off dot1q 1-1005
set trunk 2/9   off dot1q 1-1005
set trunk 2/10  off dot1q 1-1005
set trunk 2/11  off dot1q 1-1005
set trunk 2/12  off dot1q 1-1005
set trunk 2/13  off dot1q 1-1005
set trunk 2/14  off dot1q 1-1005
set trunk 2/15  off dot1q 1-1005
set trunk 2/16  off dot1q 1-1005
set trunk 2/17  off dot1q 1-1005
set trunk 2/18  off dot1q 1-1005
set trunk 2/19  off dot1q 1-1005
set trunk 2/20  off dot1q 1-1005
set trunk 2/21  off dot1q 1-1005
set trunk 2/22  off dot1q 1-1005
set trunk 2/23  off dot1q 1-1005
set trunk 2/24  off dot1q 1-1005
set trunk 2/25  off dot1q 1-1005
```

```
set trunk 2/26 off dot1q 1-1005
set trunk 2/27 off dot1q 1-1005
set trunk 2/28 off dot1q 1-1005
set trunk 2/29 off dot1q 1-1005
set trunk 2/30 off dot1q 1-1005
set trunk 2/31 off dot1q 1-1005
set trunk 2/32 off dot1q 1-1005
set trunk 2/33 off dot1q 1-1005
set trunk 2/34 off dot1q 1-1005
set trunk 2/35 off dot1q 1-1005
set trunk 2/36 off dot1q 1-1005
set trunk 2/37 off dot1q 1-1005
set trunk 2/38 off dot1q 1-1005
set trunk 2/39 off dot1q 1-1005
set trunk 2/40 off dot1q 1-1005
set trunk 2/41 off dot1q 1-1005
set trunk 2/42 off dot1q 1-1005
set trunk 2/43 off dot1q 1-1005
set trunk 2/44 off dot1q 1-1005
set trunk 2/45 nonegotiate dot1q 1-1005
set trunk 2/46 nonegotiate dot1q 1-1005
set trunk 2/47 nonegotiate dot1q 1-1005
set trunk 2/48 nonegotiate dot1q 1-1005
set spantree portfast 2/1-44 enable
set port channel 2/45-48 mode on
set port channel 2/1-44 mode off
end
2948G-01> (enable)
```

Catalyst 2948G-15配置

```
2948G-15> (enable) show config
```

This command shows non-default configurations only.

Use 'show config all' to show both default and non-default configurations.

```
.....
```

```
.....
```

```
..
```

```
begin
```

```
!
# ***** NON-DEFAULT CONFIGURATION *****
!
!
#time: Mon Jun 22 2000, 15:41:38
!
#version 5.4(3)
!
!
#system web interface version
!
set enablepass $2$FNl3$8MSzcpVMg1H2aWfll13aZ.
!
#system
set system name 2948G-15
set system location Closet10-15
set system contact sysadmin@corp.com
!
#frame distribution method
set port channel all distribution mac both
!
#vtp
set vtp domain Closet-10-15
```

```
set vtp mode transparent
set vlan 1 name default type ethernet mtu 1500 said 100001 state active
set vlan 150 name 10.10.150.0/25 type ethernet mtu 1500 said 100010 state active
set vlan 155 name 10.10.150.128/25 type ethernet mtu 1500 said 100015 state
active
set vlan 1002 name fddi-default type fddi mtu 1500 said 101002 state active
set vlan 1004 name fddinet-default type fddinet mtu 1500 said 101004 state
active stp ieee
set vlan 1005 name trnet-default type trbrf mtu 1500 said 101005 state active
stp ibm
set vlan 1003 name token-ring-default type trcrf mtu 1500 said 101003 state
active mode srb aremaxhop 7 stemaxhop 7 backupcrf off
!
#ip
set interface sc0 10 10.10.150.4/255.255.255.128 10.10.10.127

set interface sl0 down
set interface mel down
set ip route 0.0.0.0/0.0.0.0          10.10.150.1
!
#syslog
set logging console disable
!
#set boot command
set boot config-register 0x2102
set boot system flash bootflash:cat4000.5-4-2.bin
set boot system flash bootflash:cat4000.5-2-2.bin
set boot system flash bootflash:cat4000.4-5-2.bin
!
#port channel
set port channel 2/45-46 40
set port channel 2/47-48 41
!
#module 1 : 0-port Switching Supervisor
!
#module 2 : 50-port 10/100/1000 Ethernet
set vlan 150    2/1-22
set vlan 155    2/23-44
set port name    2/45 2948G-L3-01_Uplink
set port name    2/46 2948G-L3-01_Uplink
set port name    2/47 2948G-L3-02_Uplink
set port name    2/48 2948G-L3-02_Uplink
set trunk 2/1    off dot1q 1-1005
set trunk 2/2    off dot1q 1-1005
set trunk 2/3    off dot1q 1-1005
set trunk 2/4    off dot1q 1-1005
set trunk 2/5    off dot1q 1-1005
set trunk 2/6    off dot1q 1-1005
set trunk 2/7    off dot1q 1-1005
set trunk 2/8    off dot1q 1-1005
set trunk 2/9    off dot1q 1-1005
set trunk 2/10   off dot1q 1-1005
set trunk 2/11   off dot1q 1-1005
set trunk 2/12   off dot1q 1-1005
set trunk 2/13   off dot1q 1-1005
set trunk 2/14   off dot1q 1-1005
set trunk 2/15   off dot1q 1-1005
set trunk 2/16   off dot1q 1-1005
set trunk 2/17   off dot1q 1-1005
set trunk 2/18   off dot1q 1-1005
set trunk 2/19   off dot1q 1-1005
set trunk 2/20   off dot1q 1-1005
set trunk 2/21   off dot1q 1-1005
set trunk 2/22   off dot1q 1-1005
```



```
set trunk 2/23 off dot1q 1-1005
set trunk 2/24 off dot1q 1-1005
set trunk 2/25 off dot1q 1-1005
set trunk 2/26 off dot1q 1-1005
set trunk 2/27 off dot1q 1-1005
set trunk 2/28 off dot1q 1-1005
set trunk 2/29 off dot1q 1-1005
set trunk 2/30 off dot1q 1-1005
set trunk 2/31 off dot1q 1-1005
set trunk 2/32 off dot1q 1-1005
set trunk 2/33 off dot1q 1-1005
set trunk 2/34 off dot1q 1-1005
set trunk 2/35 off dot1q 1-1005
set trunk 2/36 off dot1q 1-1005
set trunk 2/37 off dot1q 1-1005
set trunk 2/38 off dot1q 1-1005
set trunk 2/39 off dot1q 1-1005
set trunk 2/40 off dot1q 1-1005
set trunk 2/41 off dot1q 1-1005
set trunk 2/42 off dot1q 1-1005
set trunk 2/43 off dot1q 1-1005
set trunk 2/44 off dot1q 1-1005
set trunk 2/45 nonegotiate dot1q 1-1005
set trunk 2/46 nonegotiate dot1q 1-1005
set trunk 2/47 nonegotiate dot1q 1-1005
set trunk 2/48 nonegotiate dot1q 1-1005
set spantree portfast 2/1-44 enable
set port channel 2/45-48 mode on
set port channel 2/1-44 mode off
end
2948G-15> (enable)
```

Catalyst 6506-01配置

```
6506-01> (enable) show config
```

This command shows non-default configurations only.

Use 'show config all' to show both default and non-default configurations.

```
.....
```

```
.....
```

```
..
```

```
begin
```

```
!
# ***** NON-DEFAULT CONFIGURATION *****
!
!
#time: Fri Jun 23 2000, 13:05:49
!
#version 5.4(3)
!
!
#system web interface version Engine: 5.1 ADP device: Cat6000 ADP Version: 1.2
ADK: 31
!
set password $2$JYD3$CchOBhHYnLzI900B9F10v/
set enablepass $2$93UN$/2fd2eCwlrDUSkk1J/KZ21
!
#system
set system name 6506-01
set system location Core-MDF-10
set system contact sysadmin@corp.com
!
#!
```

```

#vtp
set vtp domain Core-Domain
set vlan 1 name default type ethernet mtu 1500 said 100001 state active
set vlan 10 name Aggregation-10.10.0.0/16-Even type ethernet mtu 1500 said
100010 state active
set vlan 15 name Aggregation-10.10.0.0/16-Odd type ethernet mtu 1500 said
100015 state active
set vlan 1002 name fddi-default type fddi mtu 1500 said 101002 state active
set vlan 1004 name fddinet-default type fddinet mtu 1500 said 101004 state
active stp ieee
set vlan 1005 name trnet-default type trbrf mtu 1500 said 101005 state active
stp ibm
set vlan 1003 name token-ring-default type trcrf mtu 1500 said 101003 state
active mode srb aremaxhop 7 stemaxhop 7 backupcrf off
!
#ip
set interface sc0 1 10.1.1.4/255.255.255.0 10.1.1.255

set ip route 0.0.0.0/0.0.0.0          10.1.1.1
!
#syslog
set logging console disable
!
#set boot command
set boot config-register 0x2102
set boot system flash bootflash:cat6000-supcv.5-4-3.bin
!
#port channel
set port channel 2/7-8,3/7-8 428
!
# default port status is enable
!
!
#module 1 : 2-port 1000BaseX Supervisor
!
#module 2 : 8-port 1000BaseX Ethernet
set port name      2/7  Cat6506-02
set port name      2/8  Cat6506-02
set trunk 2/7  desirable isl 1-1005
set trunk 2/8  desirable isl 1-1005
set port channel 2/7-8 mode on
!
#module 3 : 8-port 1000BaseX Ethernet
set port name      3/7  Cat6506-02
set port name      3/8  Cat6506-02
set trunk 3/7  desirable isl 1-1005
set trunk 3/8  desirable isl 1-1005
set port channel 3/7-8 mode on
!
#module 4 : 8-port 1000BaseX Ethernet
set vlan 15    4/1
!
#module 5 : 8-port 1000BaseX Ethernet
set vlan 15    5/1
!
#module 6 : 48-port 10/100BaseTX Ethernet
!
#module 15 : 1-port Multilayer Switch Feature Card
!
#module 16 empty
end
6506-01> (enable)

```

[Catalyst 6506-02配置](#)

6506-02> (enable) **show config**

This command shows non-default configurations only.

Use 'show config all' to show both default and non-default configurations.

.....

.....

..

begin

```
!  
# ***** NON-DEFAULT CONFIGURATION *****  
!  
!  
#time: Fri Jun 23 2000, 13:07:49  
!  
#version 5.4(3)  
!  
!  
#system web interface version Engine: 5.1 ADP device: Cat6000 ADP Version: 1.2  
ADK: 31  
!  
set password $2$JYD3$CcHOBhHYnLzI900B9F10v/  
set enablepass $2$93UN$/2fd2eCwlrDUSkklJ/KZ21  
!  
#system  
set system name 6506-02  
set system location Core-MDF-10  
set system contact sysadmin@corp.com  
!  
#!  
#vtp  
set vtp domain Core-Domain  
set vlan 1 name default type ethernet mtu 1500 said 100001 state active  
set vlan 10 name Aggregation-10.10.0.0/16-Even type ethernet mtu 1500 said  
100010 state active  
set vlan 15 name Aggregation-10.10.0.0/16-Odd type ethernet mtu 1500 said  
100015 state active  
set vlan 1002 name fddi-default type fddi mtu 1500 said 101002 state active  
set vlan 1004 name fddinet-default type fddinet mtu 1500 said 101004 state  
active stp ieee  
set vlan 1005 name trnet-default type trbrf mtu 1500 said 101005 state active  
stp ibm  
set vlan 1003 name token-ring-default type trcrf mtu 1500 said 101003 state  
active mode srb aremaxhop 7 stemaxhop 7 backupcrf off  
!  
#ip  
set interface sc0 1 10.1.1.5/255.255.255.0 10.1.1.255  
  
set ip route 0.0.0.0/0.0.0.0 10.1.1.1  
!  
#syslog  
set logging console disable  
!  
#set boot command  
set boot config-register 0x2102  
set boot system flash bootflash:cat6000-supcv.5-4-3.bin  
!  
#port channel  
set port channel 2/7-8,3/7-8 448  
!  
# default port status is enable  
!  
!
```

```
#module 1 : 2-port 1000BaseX Supervisor
!
#module 2 : 8-port 1000BaseX Ethernet
set port name      2/7  Cat6506-01
set port name      2/8  Cat6506-01
set trunk 2/7  desirable isl 1-1005
set trunk 2/8  desirable isl 1-1005
set port channel 2/7-8 mode on
!
#module 3 : 8-port 1000BaseX Ethernet
set port name      3/7  Cat6506-01
set port name      3/8  Cat6506-01
set trunk 3/7  desirable isl 1-1005
set trunk 3/8  desirable isl 1-1005
set port channel 3/7-8 mode on
!
#module 4 : 8-port 1000BaseX Ethernet
set vlan 10    4/1
!
#module 5 : 8-port 1000BaseX Ethernet
set vlan 10    5/1
!
#module 6 : 48-port 10/100BaseTX Ethernet
!
#module 15 : 1-port Multilayer Switch Feature Card
!
#module 16 empty
end
6506-02> (enable)
```

[相關資訊](#)

- [LAN 產品支援頁面](#)
- [LAN 交換支援頁面](#)
- [技術支援 - Cisco Systems](#)