

# 如何將Webex會議室70D G2轉換為Webex會議室70D全景版

## 目錄

[簡介](#)

[必要條件](#)

[需求](#)

[採用元件](#)

[設定](#)

[在四監視器和Codec Pro之間新增影片連線](#)

[為內容共用新增4K螢幕](#)

[獲取並安裝產品金鑰](#)

[驗證](#)

[疑難排解](#)

## 簡介

本檔案介紹如何將Webex Room 70 Dual(70D)轉換為Webex Room 70D Panorama Upgrade。

## 必要條件

### 需求

- Cisco Unified Communication Manager(CUCM)版本10.5.2、11.5.1、12.0.1、12.5.1及更高版本。
- 包含產品型別的裝置包：**Cisco Webex會議室全景**和**Cisco Webex會議室70全景版**。
- Webex會議室全景版CE9.13.1及更高版本。推薦的版本：RoomOS 10.3.2.0。

附註：可以在下一個連結中下載裝置包軟體

：<https://software.cisco.com/download/home/268439621>。

附註：最新的Webex Panorama軟體可以在下一個連結下載

：<https://software.cisco.com/download/home/286325718/type/280886992/release/RoomOS%2010.3.2.0>。

## 採用元件

本文檔中的資訊基於Webex會議室70D G2。

本文中的資訊是根據特定實驗室環境內的裝置所建立。文中使用到的所有裝置皆從已清除（預設）的組態來啟動。如果您的網路運作中，請確保您瞭解任何指令可能造成的影響。

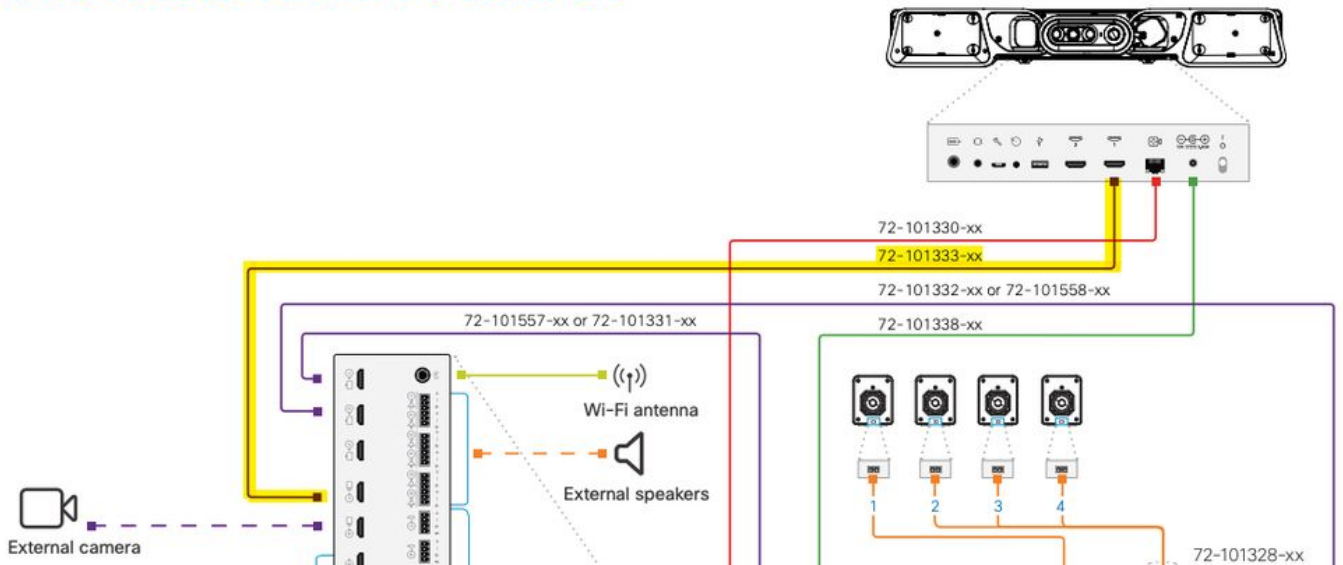
# 設定

## 在四監視器和Codec Pro之間新增影片連線

在四監視器中的HDMI埠2和Codec Pro中的HDMI埠2之間，使用部件ID(PID)72-101333-xx將高畫質多媒體介面電纜(HDMI)連線到HDMI，如下圖所示：

附註：HDMI電纜的長度必須至少為2米。PID數字可在下一連結中找到：[備件清單](#)。

## Cisco Webex Room 70 Dual G2

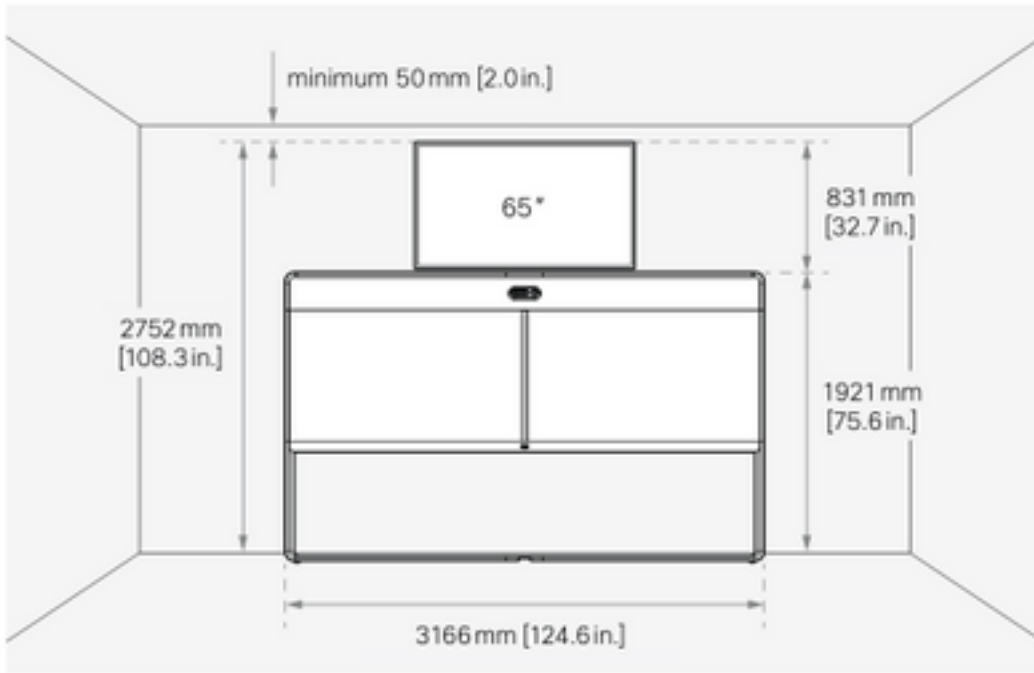


附註：如需有關裝置連線的進一步參考，請參閱以下檔案：[《70號房間全景安裝指南》](#)。

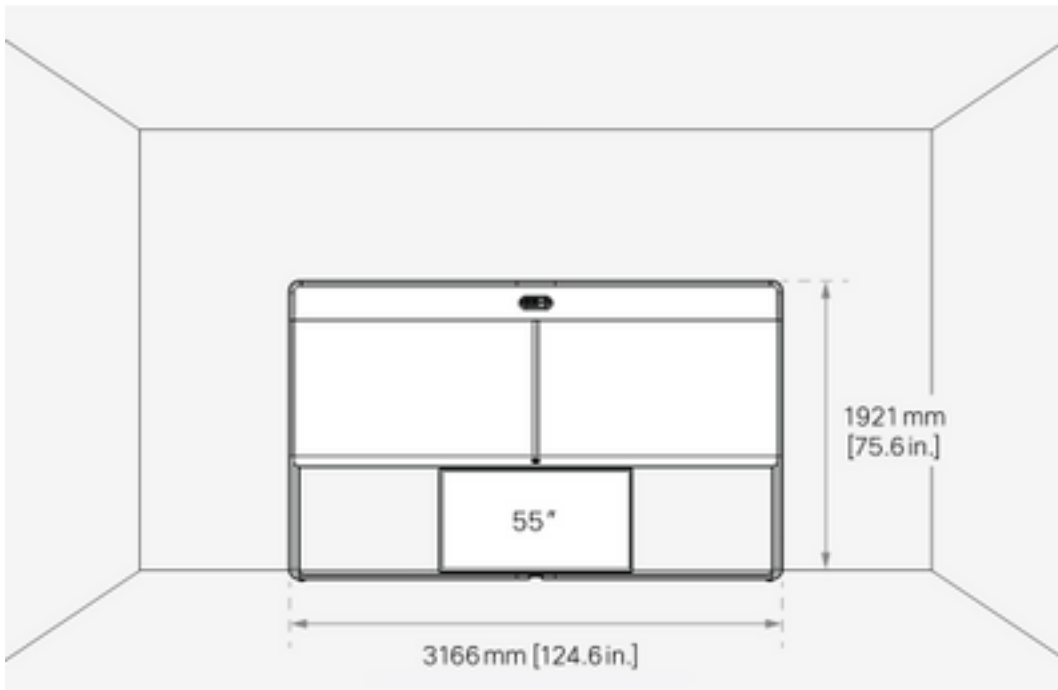
## 為內容共用新增4K螢幕

檢視下一個可用選項：

影片系統上的內容螢幕 — 65英吋螢幕。



影片系統下面的內容螢幕 — 55英寸螢幕。



## 獲取並安裝產品金鑰

提供全景產品後，您必須獲得如下內容：1P018-1-xxxxxxx。

開啟Webex Room 70管理Web介面。

導航到Webex Room 70 > Software > Product Keys，然後安裝提供的產品金鑰。

## Software

Software Upgrade

Option Keys

Product Keys

### Product Keys

This Cisco Webex Codec Pro video system may be upgraded into a Cisco Webex Room Panorama by entering a new product key in the field below.

If you do not have a new product key, contact your Cisco sales representative or reseller for more information on how to purchase one. A product key is specific to a single video system, and is calculated based on its serial number. Provide the following serial number to the Cisco representative when obtaining the new product key: [REDACTED].

The video system needs to restart after applying the new product key. It will then start back up as a Cisco Webex Room Panorama after the reboot.

#### Add key

Serial number [REDACTED]

Product key 1P..

Apply

需要重新啟動：

## Software

Software Upgrade

Option Keys

Product Keys

### Product Keys

**Restart required!** Restart to apply the new product key. Restart

This Cisco Webex Codec Pro video system may be upgraded into a Cisco Webex Room Panorama by entering a new product key in the field below.

If you do not have a new product key, contact your Cisco sales representative or reseller for more information on how to purchase one. A product key is specific to a single video system, and is calculated based on its serial number. Provide the following serial number to the Cisco representative when obtaining the new product key: [REDACTED].

The video system needs to restart after applying the new product key. It will then start back up as a Cisco Webex Room Panorama after the reboot.

#### Add key

Serial number [REDACTED]

Product key 1P..

Apply

終端重新啟動後，終端必須是Webex Room 70全景版。

## 驗證

為了驗證Webex Room 70D G2是否在Room 70 Panorama中成功轉換，請訪問終端Web管理員：

# Cisco Webex

System name: 10.88.246.53

Username

admin|

Passphrase

\*\*\*\*\*

Sign In

您必須看到新產品名稱：左上角的「Room 70 Panorama」，如下圖所示。

## Cisco Webex Local Device Controls



**10.88.246.53**  
Room 70 Panorama

您還可以導航至軟體>產品金鑰，必須說影片系統是Cisco Webex會議室70全景版。

## Software

Software Upgrade

Option Keys

Product Keys

Display Upgrade

### Product Keys

A product key is used by the video system to determine which capabilities should be made available. Some hardware platforms are used in several product types, and by changing the product key, you can change the product type.

A product key is specific to a video system, and is calculated based on its serial number. This video system's serial number is [REDACTED].

Caution: This video system is a **Cisco Webex Room 70 Panorama**. Such video systems are normally not repurposed by changing the product key. Only proceed if you are directed to do so by a Cisco technical support representative.

#### Add key

Serial number [REDACTED]

Product key

1P...

Apply

## 疑難排解

### 未連線其他HDMI電纜

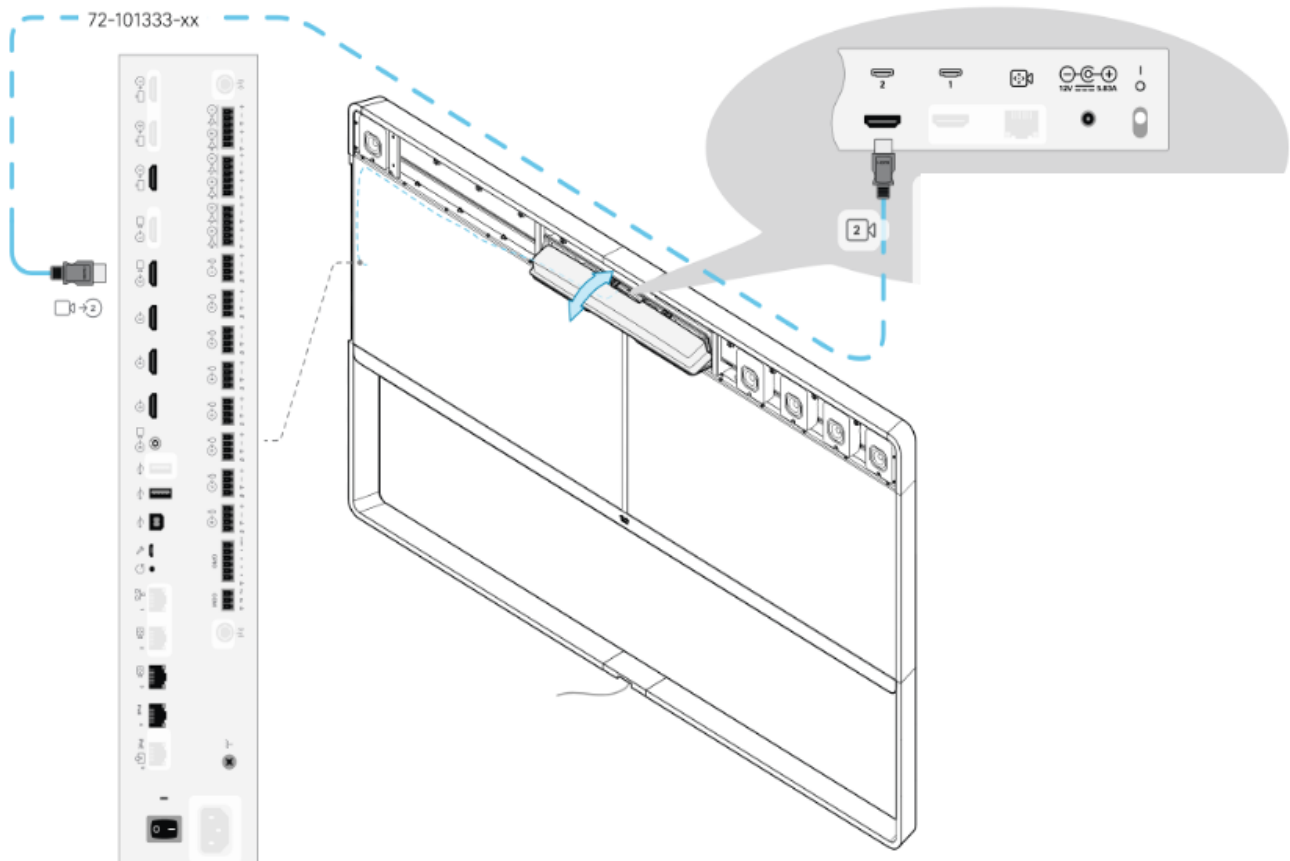


#### Panorama View

Please complete the Panorama View wizard found under Settings to activate this feature.

導覽至System Maintenance > Issues and Diagnostics > Issues > Active Issues。

為了解決此問題，請在Quad Camera和Codec Pro之間安裝HDMI電纜，如下圖所示：



全景檢視功能未啟動。



#### **SIP Registration Failed**

SIP registration failed: 485 Ambiguous / Device type mismatch. Verify SIP [configuration](#) and [connectivity](#) to SIP proxy.

導覽至System Maintenance > Issues and Diagnostics > Issues > Active Issues。

要解決此問題，請按照Touch 10/Room Navigator設定中的嚮導操作。

無法在CUCM中註冊SIP。



#### **Panorama Camera Hdmi**

Please make sure both HDMI cables from the camera to the codec is connected.

導覽至System Maintenance > Issues and Diagnostics > Issues > Active Issues。

為了解決此問題，您必須更改CUCM電話配置檔案中的產品型別。以前配置為Webex Room 70D G2，現在必須將系統配置為Cisco Webex Room70 Panorama。

## 關於此翻譯

思科已使用電腦和人工技術翻譯本文件，讓全世界的使用者能夠以自己的語言理解支援內容。請注意，即使是最佳機器翻譯，也不如專業譯者翻譯的內容準確。Cisco Systems, Inc. 對這些翻譯的準確度概不負責，並建議一律查看原始英文文件（提供連結）。