



The bridge to possible

UCS X-Series M8 Xccelerate Offer Ordering Guide

Introduction

This ordering guide covers the ordering information for the below products:

The Cisco UCS X9508 chassis:

The Cisco UCS® X-Series Modular System begins with the Cisco UCS X9508 chassis, engineered to be adaptable and future ready. It is a standard, open system designed to deploy and automate faster in concert with your hybrid cloud environment.

With a midplane-free design, I/O connectivity for the X9508 chassis is accomplished with front-loading, vertically oriented compute nodes intersecting with horizontally oriented I/O connectivity modules in the rear of the chassis. A Unified Ethernet fabric is supplied with the Cisco UCS 9108 Intelligent Fabric Modules. Cisco UCS X-Fabric Technology interconnects enable connectivity between the compute and resource nodes using PCIe Gen4 and will supply other industry-standard protocols as standards emerge. Interconnections can be easily updated with new modules.

The 7 rack-unit (7RU) Cisco UCS X9508 chassis has 8 flexible slots that can house a combination of compute nodes and a pool of current and future I/O resources that may include GPU accelerators, disk storage, and nonvolatile memory.

UCS X440p Gen4 PCIe Node:

The Cisco UCS X440p Gen4 PCIe Node is a new node type that is now supported in the UCS X9508 chassis. This can be attached to UCS X215c compute node in the UCS X9508 chassis to provide GPU accelerators support using the UCS 9416 X-Fabric modules for UCS X9508 chassis.

The Cisco UCS X440p PCIe Node is the first PCIe resource node to integrate into the Cisco UCS X-Series Modular System. Up to four PCIe Nodes can reside in the 7-Rack-Unit (7RU) Cisco UCS X9508 Chassis and can be paired with one compute node each, offering up to four GPUs to a Cisco UCS X215c Compute Node with Cisco UCS X-Fabric Technology.

UCS X215c M8 Compute Node:

The Cisco UCS X215c M8 Compute Node is integrated into the Cisco UCS X-Series Modular System. Up to eight compute nodes can reside in the 7-Rack-Unit (7RU) Cisco UCS X9508 Chassis, offering one of the highest densities of compute, IO, and storage per rack unit in the industry.

The Cisco UCS 6536 Fabric Interconnect (FI):

The Cisco UCS 6536 Fabric Interconnect (FI) is a core part of the Cisco Unified Computing System, providing both network connectivity and management capabilities for the system (Figure 2). The Cisco UCS 6536 Fabric Interconnect offer line-rate, low-latency, lossless 10/25/40/100 Gigabit Ethernet, Fibre Channel over Ethernet (FCoE), and Fibre Channel functions.

The Cisco UCS 6536 Fabric Interconnect provide the management and communication backbone for the Cisco UCS X-Series compute nodes, UCS X9508 X-series chassis, UCS B-Series Blade Servers, UCS 5108 B-Series Server Chassis, UCS Managed C-Series Rack Servers, and UCS S-Series Storage Servers. All servers attached to a Cisco UCS 6536 Fabric Interconnect become part of a single, highly available management domain. In addition, by supporting a unified fabric, Cisco UCS 6536 Fabric Interconnect provides both the LAN and SAN connectivity for all servers within its domain.

Purpose, Audience, and Scope

Purpose

This document describes how to order the UCS X-Series M8 Xccelerate Offer.

Scope

This ordering guide describes the information for:

- Ordering Structure of Cisco UCS X-Series M8 Xccelerate Offer.
- Catalog of Product IDs
- Ordering Server Hardware and Software options
- Links to additional resources

Audience

Buy Method Through Cisco (Eg: Direct Customer & Tier 1 Partners):

- Scenario 1: Customer Without Enterprise Agreement for Cisco Intersight Software License
- Scenario 2: Customer With Enterprise Agreement for Cisco Intersight Software License

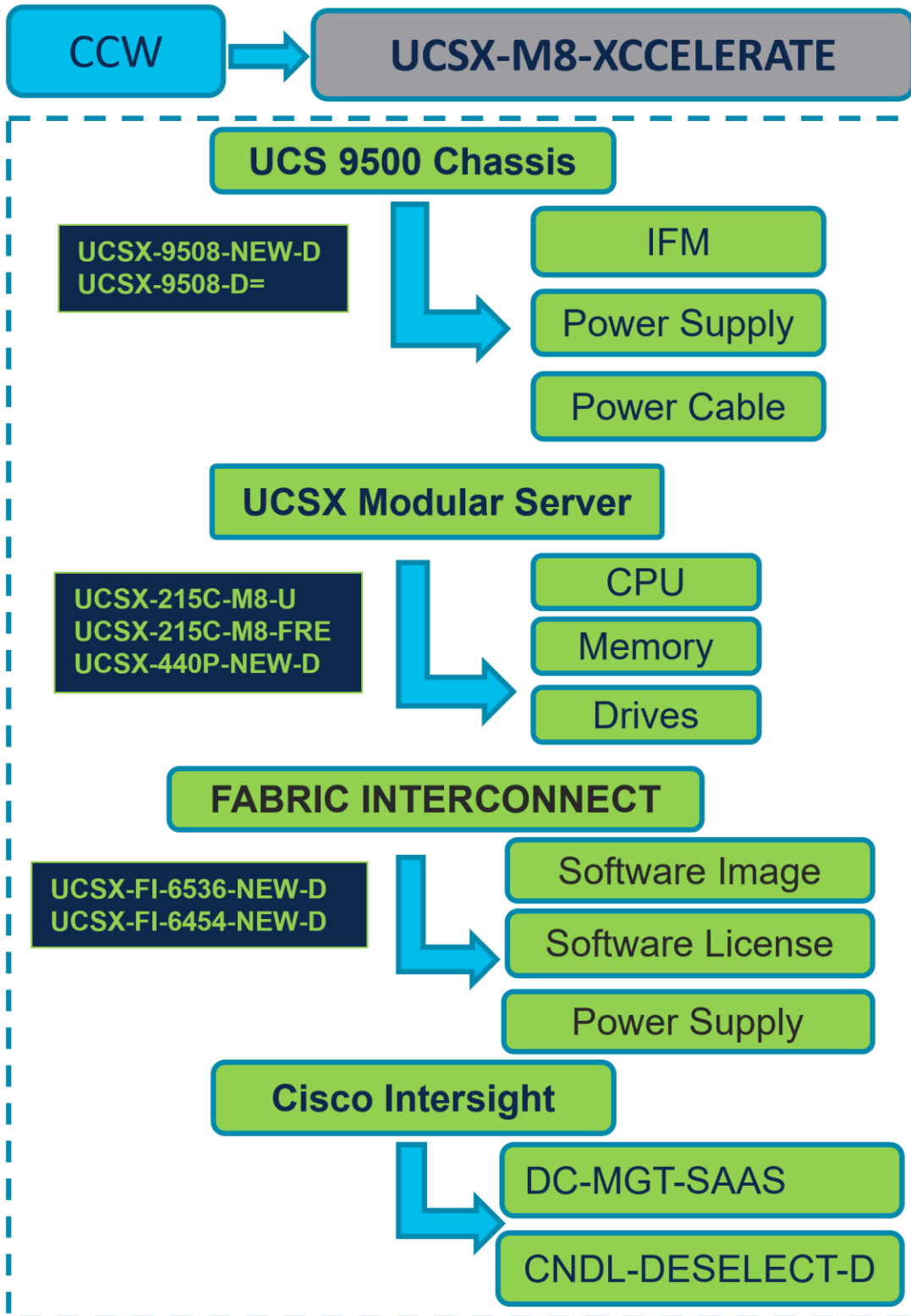
Buy Method Through Distributor (Eg: Tier 1 & Tier 2 Partners):

- Scenario 1: Customer Without Enterprise Agreement for Cisco Intersight Software License
- Scenario 2: Customer With Enterprise Agreement for Cisco Intersight Software License

Ordering Structure of UCS X-Series M8 Xccelerate Offer

UCS X-Series M8 Xccelerate Offer Ordering Structure

*Products Not available to order standalone. Can be ordered only under MLB



Catalog of Product IDs (PIDs)

Note: For a complete list of part numbers for the see the [Cisco UCS X215c M8 Compute Node Spec Sheet](#), [Cisco UCS X9508 Chassis Spec Sheet](#)

Table 1. PID of Major Line Bundle (MLB)

Product ID (PID)	Description
UCSX-M8-XCCELERATE	UCS-X M8 Xccelerate Offer

Table 2. Cisco Hardware Major Line PIDs

Product ID (PID)	Description
UCSX-9508-NEW-D	UCS X9508 Chassis Configured
UCSX-9508-D	UCS X9508 Chassis Configured
UCSX-215C-M8-U (Paid Node) UCSX-215C-M8-FRE (Free Node)	Cisco UCS X215c M8 Compute Node without CPU, memory, drive bays, drives, VIC adapter, or mezzanine adapters (ordered as a UCS X9508 chassis option)
UCSX-440P-NEW-D	UCS X-Series Gen4 PCIe node for XCellerate Offer
UCSX-FI-6536-NEW-D	XCellerate offer for Fabric Interconnect 6536 for IMM
UCSX-FI-6454-NEW-D	XCellerate offer for Fabric Interconnect 6454

Table 3. Cisco Intersight Major Line PIDs

Product ID (PID)	Description
DC-MGT-SAAS	Cisco Intersight SaaS
CNDL-DESELECT-D	Conditional Deselect

Step By Step Ordering Process

Buy Method Through Cisco (Eg: Direct Customer & Tier 1 Partners)

Scenario 1: Customer Without Enterprise Agreement for Cisco Intersight Software License

Step 1.



← a
[← Import Saved Configuration]
🔍
💡
📱
👛
Estimate Preferences ▾
⋮

Lines View ☰
Apply Success Track
Manage Groups
Remove Selected Lines
More Actions ▾
Zero List Price Items
Hide
Show
🔍 Search Estimate Line Items
⊞

<input type="checkbox"/>	<input type="checkbox"/> Hardware, Software and Services	Estimated Lead Time (Days)	Unit List Price (USD)	Qty	Unit Net Price (USD)	Discounts (%)	Extended Net Price (USD)
<input type="checkbox"/>	1.0 UCSX-M8-XCELERATE ⚠️ Invalid as of 07-Aug-2024 03:51:35 PDT UCS-X M8 Xccelerate Offer - Subject to approval	Not Applicable	0.00	1	0.00	0.00	0.00

b → [Select Options](#)
[Validate](#)
[Recommended Content](#)
[Add Note](#)
[Add Subtotal](#)
[Copy](#)
[Remove Line](#)

- a. In CCW, search for MLB PID and click on “Add”
- b. Click on “Select Options” to enter the configurator.

Step 2.

UCS 9500 Chassis

UCSX-9508-NEW-D

IFM

Power Supply

Power Cable

Bundle Configuration
UCSX-M8-XCELERATE

Estimated Lead Time
182 days

Global Price

174.00

Set service preferences for this configuration

1: FABRIC INTERCONNECT requires a minimum of 1 component(s). Please add additional quantities as necessary. (CE100010)

2: The category FABRIC INTERCONNECT is required. (CE100103)

3: CISCO INTERSIGHT requires a minimum of 1 component(s). Please add additional quantities as necessary. (CE100010)

4: The category CISCO INTERSIGHT is required. (CE100103)

5: Please note that you are using a promotional PID which is available ONLY IF qualified for the 'UCS X-Series Xccelerate' Program. For details on the program, Pls review Sales Connect, contact your Cisco Account Manager or reach out to ask-ucsx@external.cisco.com. We encourage you NOT to book this PID if you do not qualify. Order will be on hold after booking to check for eligibility. (CE202322)

Available Components

Unit List Price (USD)

UCS 9500 CHASSIS

UCSX-9508-NEW-D
Not sold standalone UCS 9508 Chassis w/o nodes 1 requi
red
0.00

Estimated Lead Time: 21 days

UCSX-9508-D=
UCS 9508 Chassis
8,530.96

Estimated Lead Time: --

UCSX MODULAR SERVER

FABRIC INTERCONNECT

CISCO INTERSIGHT

UCS 9500 CHASSIS > 1 Selected (Min 1, Max 99)

Product	Unit List Price (USD)	Adjusted List Price (USD)	Qty	Extended List Price (USD)
UCSX-9508-NEW-D Invalid		445.00	1	445.00
Not sold standalone UCS 9508 Chassis w/o nodes				
Add Custom Name Edit Options Edit Services/Subscriptions Remove Line				
Add a UCS 9500 CHASSIS from the left panel				

UCSX MODULAR SERVER > 6 Selected (Min 6, Max 84)

Product	Unit List Price (USD)	Adjusted List Price (USD)	Qty	Extended List Price (USD)
UCSX-Z15C-M8-U Invalid		9,621.50	6	57,729.00
UCS X215c M8 Compute Node 2S				
Add Custom Name Edit Options Edit Services/Subscriptions Remove Line				
Add a UCSX MODULAR SERVER from the left panel				

FABRIC INTERCONNECT > 0 Selected (Min 1, Max 2)

Add a FABRIC INTERCONNECT from the left panel

CISCO INTERSIGHT > 0 Selected (Min 1, Max 1)

Add a CISCO INTERSIGHT from the left panel

- UCSX-9508-NEW-D ATO is preselected with 1 QTY under MLB and can be selected up to 4 QTY.
- Notice the UCSX-9508-NEW-D ATO Status is invalid as further configuration needed
- Click on "Edit Options" to enter the configurator.

Step 3.

UCS 9500 Chassis

↓

UCSX-9508-NEW-D IFM
Power Supply
Power Cable

Product Configuration: UCSX-9508-NEW-D part of UCSX-M8-XCCFL/GRATE Estimated Lead Time: 21 days Price List: Global Total (USD): 0.00

Warnings:

- 1: The quantity of Power Cable must be equal to the quantity of Power Supply selected. Please adjust the quantity. (CE200050)
- 2: Please note that this order will be placed on a Compliance Hold. Please reach out to sac-support@cisco.com to check if this order meets eligibility criteria for hold removal. Note that the order will remain on compliance hold if you do not reach out to sac-support@cisco.com to request eligibility check. (CE202322)
- 3: Use Power Calculator to determine the correct power supply. The Power Calculator can be found at <http://ucspowercalc.cisco.com>. (CE200696)
- 4: UCSX-9508-NEW-D quantity 1 requires a minimum quantity of 2 from Intelligent Fabric Module (CE100012)

Configuration Summary View Full Summary

Category	Qty	Extended List Price (USD)
Intelligent Fabric Module		
Power		
UCSX-PSU-2800AC-D	6	0.00
X-Fabric Module		
Accessory		
UCSX-C-DEBUGCBL-D	1	0.00
UCSX SW		
UCSX-CHASSIS-SW-D	1	0.00
Chassis Expansion		
Total		0.00
Estimated Lead Time	21 days	

Intelligent Fabric Module

SKU	Qty	Estimated Lead Time	Unit List Price (USD)
<input type="radio"/> UCSX-I-9108-25G-D UCS 9108-25G IFM for 9508 Chassis	2	21 days	0.00
<input type="radio"/> UCSX-I9108-100G-D UCS 9108-100G IFM for 9508 Chassis	2	21 days	0.00

Show Incompatible SKUs

Reset Configuration Cancel Done

- Configure UCSX-9508-NEW-D by selecting Intelligent Fabric Module, X-Fabric Module (if UCSX-440P-NEW-D is required) and Power Cables from category window on the left.
- Follow warning messages to configure the minimum required selections under Chassis.
- Click on "Done"

Step 4.

UCS 9500 Chassis

UCSX-9508-NEW-D

IFM

Power Supply

Power Cable

Bundle Configuration: UCSX-M8-XCELERATE
Estimated Lead Time: 182 days
Price List: Global Price List (USD)

Set service preferences for this configuration

1: FABRIC INTERCONNECT requires a minimum of 1 component(s). Please add additional quantities as necessary. (CE100010)
2: The category FABRIC INTERCONNECT is required. (CE100103)
3: CISCO INTERSIGHT requires a minimum of 1 component(s). Please add additional quantities as necessary. (CE100010)
4: The category CISCO INTERSIGHT is required. (CE100103)
5: Please note that you are using a promotional PID which is available ONLY IF qualified for the 'UCS X-Series Xcelerate' Program. For details on the program, Pls review Sales Connect, contact your Cisco Account Manager or reach out to ask-ucsx@external.cisco.com. We encourage you NOT to book this PID if you do not qualify. Order will be on hold after booking to check for eligibility. (CE202322)

Available Components	Unit List Price (USD)	Product	Unit List Price (USD)	Adjusted List Price (USD)	Qty	Extended List Price (USD)
UCS 9500 CHASSIS		UCSX-9508-NEW-D Valid	445.00	445.00	1	445.00
UCSX-9508-NEW-D Not sold standalone UCS 9508 Chassis w/o nodes 1 required	0.00	UCSX-215C-M8-U Invalid	9,621.50	9,621.50	6	57,729.00
UCSX-9508-D+ UCS 9508 Chassis	8,530.96					
UCSX MODULAR SERVER						
FABRIC INTERCONNECT						
CISCO INTERSIGHT						

- a. Note Status is now showing as Valid.
- b. Increase the quantity for multiples of same configuration.
- c. Click the “PLUS” to add and configure the same product with different option/quantities.

Step 5.

UCS 9500 Chassis

UCSX-9508-NEW-D

➔

Services/Subscriptions

Bundle Configuration UCSX-M8-XCELERATE	Estimated Lead Time 182 days	Price List Global Price List (USD)	Total 58,174.00
---	---------------------------------	---------------------------------------	--------------------

Set service preferences for this configuration Cancel Done

⚠️ 1: FABRIC INTERCONNECT requires a minimum of 1 component(s). Please add additional quantities as necessary. (CE100010)

2: The category FABRIC INTERCONNECT is required. (CE100103)

3: CISCO INTERSIGHT requires a minimum of 1 component(s). Please add additional quantities as necessary. (CE100010)

4: The category CISCO INTERSIGHT is required. (CE100103)

5: Please note that you are using a promotional PID which is available ONLY IF qualified for the 'UCS X-Series Xcelerate' Program. For details on the program. Pls review Sales Connect, contact your Cisco Account Manager or reach out to ask-ucsx@external.cisco.com. We encourage you NOT to book this PID if you do not qualify. Order will be on hold after booking to check for eligibility. (CE202322)

Available Components	Unit List Price (USD)	UCS 9500 CHASSIS > 1 Selected (Min 1, Max 99)	Unit List Price (USD)	Adjusted List Price (USD)	Qty	Extended List Price (USD)									
<div style="border: 1px solid #ccc; padding: 5px; margin-bottom: 5px;"> UCSX 9500 CHASSIS </div> <div style="border: 1px solid #ccc; padding: 5px; margin-bottom: 5px;"> UCSX-9508-NEW-D <small>Not sold standalone UCS 9508 Chassis w/o nodes 1 requi</small> red <small>Estimated Lead Time: 21 days</small> </div> <div style="border: 1px solid #ccc; padding: 5px; margin-bottom: 5px;"> UCSX-9508-D# <small>UCS 9508 Chassis</small> <small>Estimated Lead Time: 21 days</small> </div>	<div style="margin-bottom: 5px;">0.00</div> <div style="margin-bottom: 5px;">8,530.96</div>	<div style="border: 1px solid #ccc; padding: 5px; margin-bottom: 5px;"> UCSX 9500 CHASSIS > 1 Selected (Min 1, Max 99) </div> <table style="width: 100%; border-collapse: collapse;"> <thead> <tr> <th style="width: 30%;">Product</th> <th style="width: 20%;">Unit List Price (USD)</th> <th style="width: 30%;">Adjusted List Price (USD)</th> <th style="width: 10%;">Qty</th> <th style="width: 10%;">Extended List Price (USD)</th> </tr> </thead> <tbody> <tr> <td> <div style="border: 1px solid #ccc; padding: 5px; margin-bottom: 5px;"> UCSX-9508-NEW-D Valid ⚠️ <small>Not sold standalone UCS 9508 Chassis w/o nodes</small> <small>Add Custom Name Edit Options Edit Services/Subscriptions Remove Line</small> </div> </td> <td></td> <td style="text-align: right;">445.00</td> <td style="text-align: center;">1</td> <td style="text-align: right;">445.00</td> </tr> </tbody> </table> <p style="text-align: center; font-size: 0.8em;">Add a UCS 9500 CHASSIS from the left panel</p>	Product	Unit List Price (USD)	Adjusted List Price (USD)	Qty	Extended List Price (USD)	<div style="border: 1px solid #ccc; padding: 5px; margin-bottom: 5px;"> UCSX-9508-NEW-D Valid ⚠️ <small>Not sold standalone UCS 9508 Chassis w/o nodes</small> <small>Add Custom Name Edit Options Edit Services/Subscriptions Remove Line</small> </div>		445.00	1	445.00			
Product	Unit List Price (USD)	Adjusted List Price (USD)	Qty	Extended List Price (USD)											
<div style="border: 1px solid #ccc; padding: 5px; margin-bottom: 5px;"> UCSX-9508-NEW-D Valid ⚠️ <small>Not sold standalone UCS 9508 Chassis w/o nodes</small> <small>Add Custom Name Edit Options Edit Services/Subscriptions Remove Line</small> </div>		445.00	1	445.00											
<div style="border: 1px solid #ccc; padding: 5px; margin-bottom: 5px;"> UCSX MODULAR SERVER </div> <div style="border: 1px solid #ccc; padding: 5px; margin-bottom: 5px;"> FABRIC INTERCONNECT </div> <div style="border: 1px solid #ccc; padding: 5px; margin-bottom: 5px;"> CISCO INTERSIGHT </div>		<div style="border: 1px solid #ccc; padding: 5px; margin-bottom: 5px;"> UCSX MODULAR SERVER > 6 Selected (Min 6, Max 84) </div> <table style="width: 100%; border-collapse: collapse;"> <thead> <tr> <th style="width: 30%;">Product</th> <th style="width: 20%;">Unit List Price (USD)</th> <th style="width: 30%;">Adjusted List Price (USD)</th> <th style="width: 10%;">Qty</th> <th style="width: 10%;">Extended List Price (USD)</th> </tr> </thead> <tbody> <tr> <td> <div style="border: 1px solid #ccc; padding: 5px; margin-bottom: 5px;"> UCSX-215C-M8-U Invalid ⚠️ ❌ <small>UCS X215c M8 Compute Node 2S</small> <small>Add Custom Name Edit Options Edit Services/Subscriptions Remove Line</small> </div> </td> <td></td> <td style="text-align: right;">9,621.50</td> <td style="text-align: center;">6</td> <td style="text-align: right;">57,729.00</td> </tr> </tbody> </table> <p style="text-align: center; font-size: 0.8em;">Add a UCSX MODULAR SERVER from the left panel</p>	Product	Unit List Price (USD)	Adjusted List Price (USD)	Qty	Extended List Price (USD)	<div style="border: 1px solid #ccc; padding: 5px; margin-bottom: 5px;"> UCSX-215C-M8-U Invalid ⚠️ ❌ <small>UCS X215c M8 Compute Node 2S</small> <small>Add Custom Name Edit Options Edit Services/Subscriptions Remove Line</small> </div>		9,621.50	6	57,729.00			
Product	Unit List Price (USD)	Adjusted List Price (USD)	Qty	Extended List Price (USD)											
<div style="border: 1px solid #ccc; padding: 5px; margin-bottom: 5px;"> UCSX-215C-M8-U Invalid ⚠️ ❌ <small>UCS X215c M8 Compute Node 2S</small> <small>Add Custom Name Edit Options Edit Services/Subscriptions Remove Line</small> </div>		9,621.50	6	57,729.00											
		<div style="border: 1px solid #ccc; padding: 5px; margin-bottom: 5px;"> FABRIC INTERCONNECT > 0 Selected (Min 1, Max 2) </div> <p style="text-align: center; font-size: 0.8em;">Add a FABRIC INTERCONNECT from the left panel</p>													
		<div style="border: 1px solid #ccc; padding: 5px; margin-bottom: 5px;"> CISCO INTERSIGHT > 0 Selected (Min 1, Max 1) </div> <p style="text-align: center; font-size: 0.8em;">Add a CISCO INTERSIGHT from the left panel</p>													

a. Click on “Edit Services/Subscriptions” to edit Term Duration for HW Support.

Note: It is recommended that Term Duration for HW Support must align with Software Subscription Duration.

Step 6.

UCS 9500 Chassis

UCSX-9508-NEW-D → **Services/Subscriptions**

Service Subscription: UCSX-9508-NEW-D | Price List: Global Price List in US Dollars (USD) | Service Total (USD): 1,335.00 | 0.00

You may receive additional discounts because you selected two or more years of service. To review your discounts you can go to the Order or Quoting discount pages. (C0124)

Service | Non Serviceable Products

The duration that you entered has been successfully applied to all the services. (C0329)

Service Options

Choose Service Level from: All Service Programs

Search by Name & Description

Note: Cisco may still install another compatible service if required. Compatible services are the services that come with primary service and are based on products.

Time Duration: Duration (36) | Delay service start to | Co-Term service to

Buttons:

Service SKU	Product SKU	Unit List Price (USD)	Qty	Total List Price (USD)
Cisco Customer Experience Level 1 (1 ITEM) SERVICE PROGRAM CON-LINCO-UCSX5958 CX LEVEL 1 8X7XNCDOS Not sold standalone UCS 95... SERVICE SKU Change Service Remove Service	LINCO (CX LEVEL 1 8X7XNCDOS) SUMMARY Duration 36 Months UCSX-9508-NEW-D Not sold standalone UCS 9508 Chassis w/o nodes PRODUCT SKU	1,335.00	1	1,335.00

Buttons:

Configuration Summary | All prices shown in USD

Services

Buttons:

- a. Enter the Term Duration
- b. Click on “Apply” and “Done”

Step 7.

UCS 9500 Chassis

UCSX-9508-D=

IFM

Power Supply

Power Cable

Bundle Configuration
UCSX-M8-XCELERATE

Estimated Lead Time
182 days

Global Time List (0)

Set service preferences for this configuration

Cancel Done

1: FABRIC INTERCONNECT requires a minimum of 1 component(s). Please add additional quantities as necessary. (CE100010)

2: The category FABRIC INTERCONNECT is required. (CE100103)

3: CISCO INTERSIGHT requires a minimum of 1 component(s). Please add additional quantities as necessary. (CE100010)

4: The category CISCO INTERSIGHT is required. (CE100103)

5: Please note that you are using a promotional PID which is available ONLY IF qualified for the 'UCS X-Series Xcelerate' Program. For details on the program, PIs review Sales Connect, contact your Cisco Account Manager or reach out to ask-ucsx@external.cisco.com. We encourage you NOT to book this PID if you do not qualify. Order will be on hold after booking to check for eligibility. (CE2023Z2)

Available Components

Unit List Price (USD)

UCS 9500 CHASSIS

UCSX-9508-NEW-D
Not sold standalone UCS 9508 Chassis w/o nodes 1 requi
red
Estimated Lead Time: 21 days

0.00

+

UCSX-9508-D=
UCS 9508 Chassis
Estimated Lead Time: 21 days

8,530.96

+

UCSX MODULAR SERVER

FABRIC INTERCONNECT

CISCO INTERSIGHT

UCS 9500 CHASSIS > 1 Selected (Min 1, Max 99)

Product

Unit List Price (USD)

Adjusted List Price (USD)

Qty

Extended List Price (USD)

UCSX-9508-NEW-D Valid
Not sold standalone UCS 9508 Chassis w/o nodes
Add Custom Name | Edit Options | Edit Services/Subscriptions | Remove Line

1,335.00

1

1,335.00

Add a UCS 9500 CHASSIS from the left panel

MODULAR SERVER > 6 Selected (Min 6, Max 64)

Product

Unit List Price (USD)

Adjusted List Price (USD)

Qty

Extended List Price (USD)

UCSX-215C-M8-U Invalid
UCS X215c M8 Compute Node 2S
Add Custom Name | Edit Options | Edit Services/Subscriptions | Remove Line

9,621.50

6

57,729.00

Add a UCSX MODULAR SERVER from the left panel

FABRIC INTERCONNECT > 0 Selected (Min 1, Max 2)

Add a FABRIC INTERCONNECT from the left panel

CISCO INTERSIGHT > 0 Selected (Min 1, Max 1)

Add a CISCO INTERSIGHT from the left panel

- a. Please note that each UCSX 9508 Chassis can consume maximum 8 Servers. If You have more number of Servers selected than number of Chassis currently you have can consume, consider selecting Additional Spare Chassis: UCSX-9508-D=

Step 8.

UCSX Modular Server

UCSX-215C-M8-U

CPU

Memory

Drives

Bundle Configuration: UCSX-M8-XCELERATE
Estimated Lead Time: 182 days
Price List: Global Price List

Set service preferences for this configuration

1: FABRIC INTERCONNECT requires a minimum of 1 component(s). Please add additional quantities as necessary. (CE100010)
2: The category FABRIC INTERCONNECT is required. (CE100103)
3: CISCO INTERSIGHT requires a minimum of 1 component(s). Please add additional quantities as necessary. (CE100010)
4: The category CISCO INTERSIGHT is required. (CE100103)
5: Please note that you are using a promotional PID which is available ONLY IF qualified for the 'UCS X-Series Xcelerate' Program. For details on the program, Pls review Sales Connect, contact your Cisco Account Manager or reach out to ask-ucsx@external.cisco.com. We encourage you NOT to book this PID if you do not qualify. Order will be on hold after booking to check for eligibility. (CE202322)

Product	Unit List Price (USD)	Adjusted List Price (USD)	Qty	Extended List Price (USD)
UCSX-9508-NEW-D Valid		1,335.00	1	1,335.00
Add a UCS 9500 CHASSIS from the left panel				
UCSX-215C-M8-U Invalid	9,621.50		6	57,729.00
Add a UCSX MODULAR SERVER from the left panel				
FABRIC INTERCONNECT > 0 Selected (Min 1, Max 2) Add a FABRIC INTERCONNECT from the left panel				
CISCO INTERSIGHT > 0 Selected (Min 1, Max 1) Add a CISCO INTERSIGHT from the left panel				

- Paid Node: UCSX-215C-M8-U is preselected with 6 QTY under MLB and can be selected up to 32 QTY.
- Notice the UCSX-215C-M8-U ATO Status is invalid as further configuration needed.
- Select 'Edit Options' to enter the configurator.

Step 9.

UCSX Modular Server

UCSX-215C-M8-U

CPU
Memory
Drives

Product Configuration: UCSX-215C-M8-U part of UCSX-M8-XCELERATE
 Estimated Lead Time: 182 days
 Price List: Global Price List in US Dollars (USD)
 Total (USD): 8,542.50

Configuration Summary

Category	Qty	Extended List Price (USD)
Processor		
Memory		
Front MEZZ - Controller		
Rear MEZZ - MLOM/PCI		
Storage Drives		
SATA M.2		
NVMe Boot		
Security Options		
XSeries ComputeNode SW		
Total		8,542.50
Estimated Lead Time		182 days

Processor Options

SKU	Qty	Estimated Lead Time	Unit List Price (USD)
UCSX-CPU-A9654	Qty	182 days	22,661.77
UCSX-CPU-A9124	Qty	45 days	3,543.27
UCSX-CPU-A9224	Qty	45 days	5,320.59
UCSX-CPU-A9254	Qty	182 days	6,552.21
UCSX-CPU-A9334	Qty	182 days	8,390.16

- a. Configure UCSX-215C-M8-U by selecting peripherals from category window on the left.
- b. PIDs are listed in the window on the right. Some PIDs like Memory and Drives are grouped according to type or series; select from the grouped options located above SKU window on the right.
- c. Follow warning messages to configure the minimum required option PIDs.
- d. Select Done when completed.

Step 10.

UCSX Modular Server

UCSX-215C-M8-U

CPU
Memory
Drives

Bundle Configuration: UCSX-M8-XCELERATE
Estimated Lead Time: 182 days
Price List: Global Price List (USD)

Set service preferences for this configuration

1: FABRIC INTERCONNECT requires a minimum of 1 component(s). Please add additional quantities as necessary. (CE100010)
2: The category FABRIC INTERCONNECT is required. (CE100103)
3: CISCO INTERSIGHT requires a minimum of 1 component(s). Please add additional quantities as necessary. (CE100010)
4: The category CISCO INTERSIGHT is required. (CE100103)
5: Please note that you are using a promotional PID which is available ONLY IF qualified for the 'UCS X-Series Xcelerate' Program. For details on the program, pls review Sales Connect, contact your Cisco Account Manager or reach out to ask-ucsx@external.cisco.com. We encourage you NOT to book this PID if you do not qualify. Order will be on hold after booking to check for eligibility. (CE202322)

Product	Unit List Price (USD)	Adjusted List Price (USD)	Qty	Extended List Price (USD)
UCSX-9508-NEW-D		1,335.00	1	1,335.00
UCSX-215C-M8-U	8,542.50	21,794.51	6	544,217.88

- a. Note Status is now showing as Valid.
- b. Increase the quantity for multiples of same configuration.
- c. Click the “PLUS” to add and configure the same product with different option/quantities or select a different product.

Step 11.

UCSX Modular Server

UCSX-215C-M8-U

Services/Subscriptions

Bundle Configuration: UCSX-M8-XCELERATE
 Estimated Lead Time: 182 days
 Price List: Global Price List (USD)
 Total: 545,552.88

Set service preferences for this configuration

1: FABRIC INTERCONNECT requires a minimum of 1 component(s). Please add additional quantities as necessary. (CE100010)
 2: The category FABRIC INTERCONNECT is required. (CE100103)
 3: CISCO INTERSIGHT requires a minimum of 1 component(s). Please add additional quantities as necessary. (CE100010)
 4: The category CISCO INTERSIGHT is required. (CE100103)
 5: Please note that you are using a promotional PID which is available ONLY IF qualified for the 'UCS X-Series Xcelerate' Program. For details on the program, PIs review Sales Connect, contact your Cisco Account Manager or reach out to ask-ucsx@external.cisco.com. We encourage you NOT to book this PID if you do not qualify. Order will be on hold after booking to check for eligibility. (CE202322)

Available Components	Unit List Price (USD)
UCS 9500 CHASSIS	
UCSX MODULAR SERVER	
UCSX-215C-M8-U UCS X215c M8 Compute Node 2S 6 required Estimated Lead Time: 182 days	8,542.50
UCSX-215C-M8-FRE UCS X215c M8 R2L Free Compute Node 2S Estimated Lead Time: --	0.00
UCSX-440P-NEW-D UCS X-Series Gen4 PCIe node for XCellerate Offer Estimated Lead Time: 21 days	0.03
FABRIC INTERCONNECT	
CISCO INTERSIGHT	

Product	Unit List Price (USD)	Adjusted List Price (USD)	Qty	Extended List Price (USD)
UCSX-9508-NEW-D Not sold standalone UCS 9508 Chassis w/o nodes		1,335.00	1	1,335.00
UCSX MODULAR SERVER > 6 Selected (Min 6, Max 84)				
UCSX-215C-M8-U UCS X215c M8 Compute Node 2S		21,794.51	6	544,217.88
FABRIC INTERCONNECT > 0 Selected (Min 1, Max 2)				
CISCO INTERSIGHT > 0 Selected (Min 1, Max 1)				

a. Click on “Edit Services/Subscriptions” to edit Term Duration for HW Support.

Note: It is recommended that Term Duration for HW Support must align with Software Subscription Duration.

Step 12.

UCSX Modular Server

UCSX-215C-M8-U

➔

Services/Subscriptions

Service Subscription UCSX-215C-M8-U	Price List Global Price List in US Dollars (USD)	Service Total (USD) 3,237.00	Subscription Total (USD) 0.00
--	---	---------------------------------	----------------------------------

i You may receive additional discounts because you selected two or more years of service. To review your discounts you can go to the Order or Quoting discount pages. (C0124)

◆ The duration that you entered has been successfully applied to all the services. (C0329)

Service Options

Choose Service Level from All Service Programs ▼

Search by Name & Description

Note: Cisco may still install another compatible service if required. Compatible services are the services that come with primary service and are based on products.

Time Duration ⓘ

Duration

Delay service start to

Co-Term service to

Duration

36

Reset
Apply

Service SKU	Product SKU	Unit List Price (USD)	Qty	Total List Price (USD)
Cisco Customer Experience Level 1 (1 ITEM) <small>SERVICE PROGRAM</small>	L1NCO (CX LEVEL 1 8X7XNCDOS) <small>SUMMARY</small>			
CON-L1NCO-UCSX2CMU CX LEVEL 1 8X7XNCDOS UCS X215c M8 Compute N... <small>SERVICE SKU</small>	UCSX-215C-M8-U UCS X215c M8 Compute Node 2S <small>PRODUCT SKU</small>	3,237.00	1	3,237.00

Remove All Services
Remove All Additional Services

Configuration Summary All prices shown in USD

Services

Cancel
Done

- a. Enter the Term Duration
- b. Click on “Apply” and “Done”

Step 13.

UCSX Modular Server

UCSX-215C-M8-FRE

CPU

Memory

Drives

Bundle Configuration: UCSX-M8-XCELERATE
 Estimated Lead Time: 182 days
 Price List: Global Pr
 Total: 60,658.88

Set service preferences for this configuration

1: FABRIC INTERCONNECT requires a minimum of 1 component(s). Please add additional quantities as necessary. (CE100010)
 2: The category FABRIC INTERCONNECT is required. (CE100103)
 3: CISCO INTERSIGHT requires a minimum of 1 component(s). Please add additional quantities as necessary. (CE100010)
 4: The category CISCO INTERSIGHT is required. (CE100103)
 5: Please note that you are using a promotional PID which is available ONLY IF qualified for the 'UCS X-Series Xccelerate' Program. For details on the program, pls review Sales Connect, contact your Cisco Account Manager or reach out to ask-ucsx@external.cisco.com. We encourage you NOT to book this PID if you do not qualify. Order will be on hold after booking to check for eligibility. (CE202322)

Available Components

Component	Unit List Price (USD)
UCS 9500 CHASSIS	
UCSX MODULAR SERVER	
UCSX-215C-M8-U UCS X215c M8 Compute Node 2S 6 required Estimated Lead Time: 182 days	8,542.50
UCSX-215C-M8-FRE UCS X215c M8 R2L Free Compute Node 2S Estimated Lead Time: --	0.00
UCSX-440P-NEW-D UCS X-Series Gen4 PCIe node for Xccelerate Offer Estimated Lead Time: 21 days	0.03
FABRIC INTERCONNECT	
CISCO INTERSIGHT	

UCS 9500 CHASSIS > 1 Selected (Min 1, Max 99)

Product	Unit List Price (USD)	Adjusted List Price (USD)	Qty	Extended List Price (USD)
UCSX-9508-NEW-D Valid Not sold standalone UCS 9508 Chassis w/o nodes Add Custom Name Edit Options Edit Services/Subscriptions Remove Line			1	1,335.00

UCSX MODULAR SERVER > 8 Selected (Min 6, Max 84)

Product	Unit List Price (USD)	Adjusted List Price (USD)	Qty	Extended List Price (USD)
UCSX-215C-M8-U Valid UCS X215c M8 Compute Node 2S Add Custom Name Edit Options Edit Services/Subscriptions Remove Line	23,952.51		6	557,165.88
UCSX-215C-M8-FRE Invalid UCS X215c M8 R2L Free Compute Node 2S Add Custom Name Edit Options Edit Services/Subscriptions Remove Line	1,079.00		2	2,158.00

FABRIC INTERCONNECT > 0 Selected (Min 1, Max 2)

- Free Node: UCSX-215C-M8-FRE is an optional selection and can be selected with minimum 2 QTY and max 10 QTY
- Notice the UCSX-215C-M8-FRE ATO Status is invalid as further configuration needed.
- Click on 'Edit Option' to enter the configurator.

Note: Configuration of Paid Node and Free Node should be identical.

Step 14.

UCSX Modular Server

UCSX-215C-M8-FRE

CPU

Memory

Drives

Product Configuration
UCSX-215C-M8-FRE part of UCSX-M8-XCELERATOR

Estimated Lead Time
21 days

Price List
Global Price List in US Dollars (USD) 0.00

1: A selection from Infrastructure and Workload is required. Please adjust the selections. (CE200277)

2: A selection of either UCSX-ML-V5Q50G-D or UCSX-MLV5D200GV2D from Rear MEZZ - MLOM/PCI is required. Please adjust the selections. (CE200096)

3: UCSX-215C-M8-FRE quantity 1 requires a minimum quantity of 1 from Processor (CE100012)

4: UCSX-215C-M8-FRE quantity 1 requires a minimum quantity of 1 from Security Options (CE100012)

Configuration Summary View Full Summary

Category Qty Extended List Price (USD)

Processor

Memory

Front MEZZ - Controller

Rear MEZZ - MLOM/PCI

Storage Drives

SATA M.2

NVMe Boot

Security Options

XSeries ComputeNode SW

Total 0.00

Estimated Lead Time 21 days

Reset Configuration Cancel Done

Option Search Multiple Options Search

UCSX-215C-M8-FRE > Processor

Processor

SKU	Qty	Estimated Lead Time	Unit List Price (USD)
UCSX-CPU-A9654	Qty	182 days	0.00
AMD 9654 2.4GHz 360W 96C/384MB Cache DDR5 4800MT/s			
UCSX-CPU-A9124	Qty	45 days	0.00
AMD 9124 3.0GHz 200W 16C/64MB Cache DDR5 4800MT/s			
UCSX-CPU-A9224	Qty	45 days	0.00
AMD 9224 2.5GHz 200W 24C/64MB Cache DDR5 4800MT/s			
UCSX-CPU-A9254	Qty	182 days	0.00
AMD 9254 2.9GHz 200W 24C/128MB Cache DDR5 4800MT/s			
UCSX-CPU-A9334	Qty	182 days	0.00
AMD 9334 2.7GHz 210W 32C/128MB Cache DDR5 4800MT/s			

- a. Configure UCSX-215C-M8-FRE by selecting peripherals from category window on the left.
- a. PIDs are listed in the window on the right. Some PIDs like Memory and storage drives are grouped according to type or series; select from the grouped options located above SKU window on the right.
- b. Follow warning messages to configure the minimum required option PIDs.
- c. Click on “Done” when completed.

Step 15.

UCSX Modular Server

UCSX-215C-M8-FRE

CPU
Memory
Drives

Bundle Configuration: UCSX-M8-XCELERATE | Estimated Lead Time: 182 days | Price List: Global Price List (USD) | 560,658.88

Set service preferences for this configuration

1: FABRIC INTERCONNECT requires a minimum of 1 component(s). Please add additional quantities as necessary. (CE100010)
 2: The category FABRIC INTERCONNECT is required. (CE100103)
 3: CISCO INTERSIGHT requires a minimum of 1 component(s). Please add additional quantities as necessary. (CE100010)
 4: The category CISCO INTERSIGHT is required. (CE100103)
 5: Please note that you are using a promotional PID which is available ONLY IF qualified for the 'UCSX X-Series Xccelerate' Program. For details on the program, PIs review Sales Connect, contact your Cisco Account Manager or reach out to ask-ucsx@external.cisco.com. We encourage you NOT to book this PID if you do not qualify. (CE202322)

Available Components	Unit List Price (USD)
UCS 9500 CHASSIS	
UCSX MODULAR SERVER	
UCSX-215C-M8-U UCS X215c M8 Compute Node 2S 6 required Estimated Lead Time: 182 days	8,542.50
UCSX-215C-M8-FRE UCS X215c M8 R2L Free Compute Node 2S Estimated Lead Time: --	0.00
UCSX-440P-NEW-D UCS X-Series Gen4 PCIe node for Xccelerate Offer Estimated Lead Time: 21 days	0.03
FABRIC INTERCONNECT	
CISCO INTERSIGHT	

UCS 9500 CHASSIS > 1 Selected (Min 1, Max 99)	Unit List Price (USD)	Adjusted List Price (USD)	Qty	Extended List Price (USD)
UCSX-9508-NEW-D Valid Not sold standalone UCS 9508 Chassis w/o nodes		1,335.00	1	1,335.00

UCSX MODULAR SERVER > 8 Selected (Min 6, Max 84)	Unit List Price (USD)	Adjusted List Price (USD)	Qty	Extended List Price (USD)
UCSX-215C-M8-U Valid UCS X215c M8 Compute Node 2S		23,952.51	6	557,165.88
UCSX-215C-M8-FRE Valid UCS X215c M8 R2L Free Compute Node 2S		1,079.00	2	2,158.00

FABRIC INTERCONNECT > 0 Selected (Min 1, Max 2)

- a. Note Status is now showing as “Valid”.
- b. Increase the quantity for multiples of same configuration.
- c. Click the “PLUS” to add and configure the same product with different option/quantities or select a different product.

Step 16.

UCSX Modular Server

↓

UCSX-215C-M8-FRE → **Services/Subscriptions**

Bundle Configuration: UCSX-M8-XCELERATE | Estimated Lead Time: 182 days | Price List: Global Price List (USD) | Total: 560,658.88

Get service preferences for this configuration

Warnings:

- 1: FABRIC INTERCONNECT requires a minimum of 1 component(s). Please add additional quantities as necessary. (CE100010)
- 2: The category FABRIC INTERCONNECT is required. (CE100103)
- 3: CISCO INTERSIGHT requires a minimum of 1 component(s). Please add additional quantities as necessary. (CE100010)
- 4: The category CISCO INTERSIGHT is required. (CE100103)
- 5: Please note that you are using a promotional PID which is available ONLY IF qualified for the 'UCS X-Series Xcelerate' Program. For details on the program, Pls review Sales Connect, contact your Cisco Account Manager or reach out to ask-ucsx@external.cisco.com. We encourage you NOT to book this PID if you do not qualify. Order will be on hold after booking to check for eligibility. (CE202322)

Available Components	Unit List Price (USD)
UCS 9500 CHASSIS	
UCSX MODULAR SERVER	
UCSX-215C-M8-U UCS X215c M8 Compute Node 2S 6 required Estimated Lead Time: 182 days	8,542.50
UCSX-215C-M8-FRE UCS X215c M8 R2L Free Compute Node 2S Estimated Lead Time: --	0.00
UCSX-440P-NEW-D UCS X-Series Gen4 PCIe node for Xcelerate Offer Estimated Lead Time: 21 days	0.03
FABRIC INTERCONNECT	
CISCO INTERSIGHT	

UCS 9500 CHASSIS > 1 Selected (Min 1, Max 99)	Unit List Price (USD)	Adjusted List Price (USD)	Qty	Extended List Price (USD)
UCSX-9508-NEW-D Not sold standalone UCS 9508 Chassis w/o nodes		1,335.00	1	1,335.00

UCSX MODULAR SERVER > 8 Selected (Min 6, Max 84)	Unit List Price (USD)	Adjusted List Price (USD)	Qty	Extended List Price (USD)
UCSX-215C-M8-U UCS X215c M8 Compute Node 2S		23,952.51	6	557,165.88
UCSX-215C-M8-FRE UCS X215c M8 R2L Free Compute Node 2S		1,079.00	2	2,158.00

FABRIC INTERCONNECT > 0 Selected (Min 1, Max 2)

a. Click on “Edit Services/Subscriptions” to edit Term Duration for HW Support.

Note: It is recommended that Term Duration for HW Support must align with Software Subscription Duration.

Step 17.

UCSX Modular Server

UCSX-215C-M8-FRE → **Services/Subscriptions**

Service Subscription UCSX-215C-M8-FRE	Price List Global Price List in US Dollars (USD)	Service Total (USD) 3,237.00	Subscription Total (USD) 0.00
--	---	---------------------------------	----------------------------------

You may receive additional discounts because you selected two or more years of service. To review your discounts you can go to the Order or Quoting discount pages. (C0124)

Service | **Non Serviceable Products**

The duration that you entered has been successfully applied to all the services. (C0329)

Service Options

Choose Service Level from: All Service Programs

Search by Name & Description

Note: Cisco may still install another compatible service if required. Compatible services are the services that come with primary service and are based on products.

Time Duration ⓘ

Duration
 Delay service start to
 Co-Term service to

Duration:

Service SKU	Product SKU	Unit List Price (USD)	Qty	Total List Price (USD)
Cisco Customer Experience Level 1 (1 ITEM) SERVICE PROGRAM CON-L1NCO-UCSX2FRE CX LEVEL 1 8X7XNCDOS UCS X215c M8 R2L Free C... SERVICE SKU Change Service Remove Service	L1NCO (CX LEVEL 1 8X7XNCDOS) SUMMARY Duration 36 Months UCSX-215C-M8-FRE UCS X215c M8 R2L Free Compute Node 2S PRODUCT SKU	3,237.00	1	3,237.00

Configuration Summary | All prices shown in USD

Services

- a. Enter the Term Duration.
- b. Click on "Apply" and "Done"

Step 18.

UCSX Refuse to Lose M8 Offer

PAID vs Free Server Node QTY Ratio

PAID Node (UCSX-215C-M8-U)	Free Node (UCSX-215C-M8-FRE)	Free Chassis (UCSX-9508-NEW-D)	Additional Chassis (UCSX-9508-D=)	Free Fabric Interconnect (UCSX-FI-6536-NEW-D/ UCSX-FI-6454-NEW-D)
Min QTY Required	QTY Allowed	QTY Allowed	Required (Y/N)	QTY Allowed
6	2	1	N	2
9	3	1	Y	
12	4	2	N	
15	5	2	Y	
18	6	3	N	
21	7	3	Y	
24	8	3	Y	
27	9	4	Y	
30	10	4	Y	

Step 19.

UCSX Modular Server

↓

GPU
PCIe Riser

Bundle Configuration
UCSX-M8-ACCELERATE
Estimated Lead Time: 182 days
Global Price List (USD)

Set service preferences for this configuration

1: FABRIC INTERCONNECT requires a minimum of 1 component(s). Please add additional quantities as necessary. (CE100010)
 2: The category FABRIC INTERCONNECT is required. (CE100103)
 3: CISCO INTERSIGHT requires a minimum of 1 component(s). Please add additional quantities as necessary. (CE100010)
 4: The category CISCO INTERSIGHT is required. (CE100103)
 5: Please note that you are using a promotional PID which is available ONLY IF qualified for the 'UCSX X-Series Xcelerate' Program. For details on the program, Pls review Sales Connect, contact your Cisco Account Manager or reach out to ask-ucsx@external.cisco.com. We encourage you NOT to book this PID if you do not qualify. Order will be on hold after booking to check for eligibility. (CE202322)
 6: Please note that each UCSX-440P-NEW-D requires minimum 6 Servers. You can increase number of Servers up to the amount of Chassis quantity listed in the summary. Please consider the license for the CPU of Server to be added.

UCSX-440P-NEW-D has been added to the bundle category UCSX MODULAR SERVER.

Available Components	Unit List Price (USD)
UCS 9500 CHASSIS	
UCSX MODULAR SERVER	
UCSX-215C-M8-U UCS X215c M8 Compute Node 2S 6 required Estimated Lead Time: 182 days	8,542.50
UCSX-215C-M8-FRE UCS X215c M8 R2L Free Compute Node 2S Estimated Lead Time: --	0.00
UCSX-440P-NEW-D UCS X-Series Gen4 PCIe node for XCellerate Offer Estimated Lead Time: 21 days	0.03
FABRIC INTERCONNECT	
CISCO INTERSIGHT	

UCS 9500 CHASSIS > 1 Selected (Min 1, Max 99)	Product	Unit List Price (USD)	Adjusted List Price (USD)	Qty	Extended List Price (USD)
	UCSX-9508-NEW-D Valid		1,335.00	1	1,335.00
Not sold standalone UCS 9508 Chassis w/o nodes Add Custom Name Edit Options Edit Services/Subscriptions Remove Line					
Add a UCS 9500 CHASSIS from the left panel					
UCSX MODULAR SERVER > 9 Selected (Min 6, Max 84)	Product	Unit List Price (USD)	Adjusted List Price (USD)	Qty	Extended List Price (USD)
	UCSX-215C-M8-U Valid		23,952.51	6	557,165.88
UCS X215c M8 Compute Node 2S Add Custom Name Edit Options Edit Services/Subscriptions Remove Line					
	UCSX-215C-M8-FRE Valid		3,237.00	2	6,474.00
UCS X215c M8 R2L Free Compute Node 2S Add Custom Name Edit Options Edit Services/Subscriptions Remove Line					
	UCSX-440P-NEW-D Invalid		0.03	1	0.03
UCS X-Series Gen4 PCIe node for XCellerate Offer Add Custom Name Select Options Remove Line					

- Select UCSX-440P-NEW-D ATO from under MLB by clicking the "PLUS".
- Notice the UCSX-440P-NEW-D ATO Status is invalid as further configuration needed
- Click on "Select Options" to enter the configurator.

Step 20.

The screenshot displays the configuration page for the UCSX-440P-NEW-D server. At the top, a diagram shows the server configuration: UCSX-440P-NEW-D (Server) connected to GPU and PCIe Riser options. The main interface shows the 'Configuration Summary' on the left and a table of 'GPU Options' on the right. A red arrow labeled 'a' points to the 'GPU Options' section in the left sidebar. Another red arrow labeled 'b' points to the 'Done' button at the bottom of the configuration area. The table lists various GPU models with their quantities, estimated lead times, and unit list prices.

SKU	Qty	Estimated Lead Time	Unit List Price (USD)
UCSX-GPU-A16-D NVIDIA A16 PCIe 250W 4X16GB, wPWR CBL	2	42 days	10,291.10
UCSX-GPU-A40-D TESLA A40 RTX, PASSIVE, 300W, 48GB, wPWR CBL	2	42 days	16,536.73
UCSX-GPU-A100-80-D TESLA A100, PASSIVE, 300W, 80GB, wPWR CBL	2	42 days	56,280.00
UCSX-GPU-L4 NVIDIA L4 Tensor Core, 70W, 24GB	4	42 days	10,854.00
UCSX-GPU-L40 NVIDIA L40 300W, 48GB wPWR CBL	2	42 days	29,898.75
UCSX-GPU-L40S NVIDIA L40S: 350W, 48GB, 2-slot FHFL GPU	2	42 days	39,094.50
UCSX-GPU-H100-80 NVIDIA H100: 350W, 80GB, 2-slot FHFL GPU	2	21 days	99,696.00
UCSX-GPU-FLEX140 Intel GPU Flex 140, Gen4x8, HHR, 75W PCIe	4	42 days	8,589.74
UCSX-GPU-FLEX170 Intel GPU Flex 170, Gen4x16, HHR, 150W PCIe	2	42 days	10,150.50
UCSX-GPU-H100-NVL NVIDIA H100 NVL, 400W, 94GB, 2-slot FHFL GPU	Qty	129 days	99,696.00

- Configure GPU PCIe Node: UCSX-440P-NEW-D by selecting GPU and appropriate Riser will get auto expand.
- Click on “Done”

Note:

- Must select X-Fabric Module: UCSX-F-9416-D under Chassis: UCSX-9508-NEW-D and/or UCSX-9508-D=.
- QTY of UCSX-440P-NEW-D must be less than or equal to UCSX-215C-M8-U and UCSX-215C-M8-FRE.

Step 21.

UCSX Modular Server

UCSX-440P-NEW-D → **GPU**
PCIe Riser

Bundle Configuration: UCSX-M8-XCELERATE
Estimated Lead Time: 182 days
Price: Global Price List (USD)

Set service preferences for this configuration

1: FABRIC INTERCONNECT requires a minimum of 1 component(s). Please add additional quantities as necessary. (CE100010)
2: The category FABRIC INTERCONNECT is required. (CE100103)
3: CISCO INTERSIGHT requires a minimum of 1 component(s). Please add additional quantities as necessary. (CE100010)
4: The category CISCO INTERSIGHT is required. (CE100103)
5: Please note that you are using a promotional PID which is available ONLY IF qualified for the 'UCS X-Series Xcelerate' Program. For details on the program, Pls review Sales Connect, contact your Cisco Account Manager or reach out to ask-ucsx@external.cisco.com. We encourage you NOT to book this PID if you do not qualify. Order will be on hold after booking to check for eligibility. (CE202322)

Available Components	Unit List Price (USD)
UCS 9500 CHASSIS	
UCSX MODULAR SERVER	
UCSX-215C-M8-U UCS X215c M8 Compute Node 2S 6 required Estimated Lead Time: 182 days	8,542.50
UCSX-215C-M8-FRE UCS X215c M8 R2L Free Compute Node 2S Estimated Lead Time: --	0.00
UCSX-440P-NEW-D UCS X-Series Gen4 PCIe node for Xcelerate Offer Estimated Lead Time: 21 days	0.03
FABRIC INTERCONNECT	
CISCO INTERSIGHT	

Product	Unit List Price (USD)	Adjusted List Price (USD)	Qty	Extended List Price (USD)
UCSX-9508-NEW-D Valid Not sold standalone UCS 9508 Chassis w/o nodes		1,335.00	1	1,335.00

Add a UCS 9500 CHASSIS from the left panel

Product	Unit List Price (USD)	Adjusted List Price (USD)	Qty	Extended List Price (USD)
UCSX-215C-M8-U Valid UCS X215c M8 Compute Node 2S		23,952.51	6	557,165.88
UCSX-215C-M8-FRE Valid UCS X215c M8 R2L Free Compute Node 2S		3,237.00	2	6,474.00
UCSX-440P-NEW-D Valid UCS X-Series Gen4 PCIe node for Xcelerate Offer		99,696.03	1	99,696.03

- Note Status is now showing as Valid.
- Increase the quantity for multiples of same configuration.
- Click on the “Plus” to add and configure the same product with different option/quantities or select a different product.

Step 22.

Fabric Interconnect

UCSX-FI-6536-NEW-D

Software Image
Software License
Power Supply

Available Components	Unit List Price (USD)
UCS 9500 CHASSIS	
UCSX MODULAR SERVER	
FABRIC INTERCONNECT	
UCSX-FI-6536-NEW-D XCellerate offer for Fabric Interconnect 6536 for IMM Estimated Lead Time: 21 days	0.03
UCSX-FI-6454-NEW-D XCellerate offer for Fabric Interconnect 6454 Estimated Lead Time: 21 days	0.00
OPT-OUT Opt Out Estimated Lead Time: 7 days	0.00
CISCO INTERSIGHT	

UCS 9500 CHASSIS > 1 Selected (Min 1, Max 99)				
Product	Unit List Price (USD)	Adjusted List Price (USD)	Qty	Extended List Price (USD)
UCSX-9508-NEW-D Valid Not sold standalone UCS 9508 Chassis w/o nodes Add Custom Name Edit Options Edit Services/Subscriptions Remove Line	1,335.00		1	1,335.00

UCSX MODULAR SERVER > 9 Selected (Min 6, Max 84)				
Product	Unit List Price (USD)	Adjusted List Price (USD)	Qty	Extended List Price (USD)
UCSX-215C-M8-U Valid UCS X215c M8 Compute Node 2S Add Custom Name Edit Options Edit Services/Subscriptions Remove Line	23,952.51		6	557,165.88
UCSX-215C-M8-FRE Valid UCS X215c M8 R2L Free Compute Node 2S Add Custom Name Edit Options Edit Services/Subscriptions Remove Line	3,237.00		2	6,474.00
UCSX-440P-NEW-D Valid UCS X-Series Gen4 PCIe node for XCellerate Offer Add Custom Name Edit Options Remove Line	99,696.03		1	99,696.03

FABRIC INTERCONNECT > 2 Selected (Min 1, Max 2)				
Product	Unit List Price (USD)	Adjusted List Price (USD)	Qty	Extended List Price (USD)
UCSX-FI-6536-NEW-D Invalid XCellerate offer for Fabric Interconnect 6536 for IMM Add Custom Name Edit Options Edit Services/Subscriptions Remove Line	11,093.03		2	22,186.06

CISCO INTERSIGHT > 0 Selected (Min 1, Max 1)				
Product	Unit List Price (USD)	Adjusted List Price (USD)	Qty	Extended List Price (USD)

- Select UCSX-FI-6536-NEW-D ATO with 2 QTY under MLB by clicking the “Plus”
- Notice the UCSX-FI-6536-NEW-D ATO Status is invalid as further configuration needed
- Click on “Edit Options” to enter the configurator.

Step 23.

Fabric Interconnect

UCSX-FI-6536-NEW-D

Software Image
Software License
Power Supply

Product Configuration: UCSX-FI-6536-NEW-D part of UCSX-M9-XCELERATE | Estimated Lead Time: 21 days | Price List: Global Price List in U.S.

⚠️ 1: Please note that this order will be placed on a Compliance Hold. Please reach out to sac-support@cisco.com to check if this order meets eligibility criteria for hold removal. Note that the order will remain on compliance hold if you do not reach out to sac-support@cisco.com to request eligibility check. (CE202322)
 2: Please note that due to lead time issues we have decided to remove some of the low selling optics PIDs from the FI bundle. This PIDs are still orderable as spare. Complete list of optics and cable PID is available in the product spec sheet. (CE202322)
 3: UCS-FI-6500-SW is defaulted under Software License. (CE100033)

Configuration Summary [View Full Summary](#)

Category	Qty	Extended List Price (USD)
Software Image		
N10-MGT018-D	1	0.00
Software License		
UCS-FI-6500-SW	1	9,045.00
Power Supply		
UCS-PSU-6536-AC-D	2	0.00
Power Cable		
Transceiver and Cable		
QSFP Cable		
Total		9,045.03
Estimated Lead Time		21 days

Reset Configuration Cancel Done

Option Search | Multiple Options Search

UCSX-FI-6536-NEW-D > Power Cable

Power Cable ⚠️

SKU	Qty	Estimated Lead Time	Unit List Price (USD)
<input type="radio"/> NO-POWER-CORD ECO friendly green option, no power cable will be shipped More	2	3 days	0.00
<input type="radio"/> CAB-C13-C14-3M-IN Power Cord Jumper, C13-C14 Connectors, 3 Meter Length, India More	2	91 days	0.00
<input type="radio"/> CAB-C13-C14-2M Power Cord Jumper, C13-C14 Connectors, 2 Meter Length	2	35 days	0.00
<input type="radio"/> CAB-C13-C14-AC Power cord, C13 to C14 (recessed receptacle), 10A	2	7 days	0.00
<input type="radio"/> CAB-C13-C14-IN Power Cord Jumper, C13-C14 Connectors, 1.4 Meter Length India More	2	28 days	0.00

- a. Configure UCSX-FI-6536-NEW-D by selecting peripherals from window on the left. Software Image, Software License and Power Supply are default selection.
- b. PIDs are listed in the window on the right. Please make selection of Power Cable.
- c. Transceiver Cable and QSFP Cables are Optional selection.
- d. Click on “Done” when completed

Step 24.

Fabric Interconnect

UCSX-FI-6536-NEW-D

Software Image

Software License

Power Supply

Available Components	Unit List Price (USD)
UCS 9500 CHASSIS	
UCSX MODULAR SERVER	
FABRIC INTERCONNECT	
UCSX-FI-6536-NEW-D XCellerate offer for Fabric Interconnect 6536 for IMM Estimated Lead Time: 21 days	0.03
UCSX-FI-6454-NEW-D XCellerate offer for Fabric Interconnect 6454 Estimated Lead Time: 21 days	0.00
OPT-OUT Opt Out Estimated Lead Time: 7 days	0.00
CISCO INTERSIGHT	

Product	Unit List Price (USD)	Adjusted List Price (USD)	Qty	Extended List Price (USD)
UCSX-9508-NEW-D Valid		1,335.00	1	1,335.00
Not sold standalone UCS 9508 Chassis w/o nodes				
Add Custom Name Edit Options Edit Services/Subscriptions Remove Line				
Add a UCS 9500 CHASSIS from the left panel				
Product	Unit List Price (USD)	Adjusted List Price (USD)	Qty	Extended List Price (USD)
UCSX-215C-M8-U Valid		23,952.51	6	557,165.88
UCS X215c M8 Compute Node 2S				
Add Custom Name Edit Options Edit Services/Subscriptions Remove Line				
UCSX-215C-M8-FRE Valid		3,237.00	2	6,474.00
UCS X215c M8 R2L Free Compute Node 2S				
Add Custom Name Edit Options Edit Services/Subscriptions Remove Line				
UCSX-440P-NEW-D Valid		99,696.03	1	99,696.03
UCS X-Series Gen4 PCIe node for XCellerate Offer				
Add Custom Name Edit Options Remove Line				
Add a UCSX MODULAR SERVER from the left panel				
Product	Unit List Price (USD)	Adjusted List Price (USD)	Qty	Extended List Price (USD)
UCSX-FI-6536-NEW-D Valid a		11,093.03	2	22,186.06
XCellerate offer for Fabric Interconnect 6536 for IMM				
Add Custom Name Edit Options Edit Services/Subscriptions Remove Line				
CISCO INTERSIGHT > 0 Selected (Min 1, Max 1)				

a. Note Status is now showing as Valid.

Step 25.

Fabric Interconnect

UCSX-FI-6536-NEW-D

Services/Subscriptions

Available Components	Unit List Price (USD)
UCS 9500 CHASSIS	
UCSX MODULAR SERVER	
FABRIC INTERCONNECT	
UCSX-FI-6536-NEW-D XCellerate offer for Fabric Interconnect 6536 for IMM Estimated Lead Time: 21 days	0.03
UCSX-FI-6454-NEW-D XCellerate offer for Fabric Interconnect 6454 Estimated Lead Time: 21 days	0.00
OPT-OUT Opt Out Estimated Lead Time: 7 days	0.00
CISCO INTERSIGHT	

Product	Unit List Price (USD)	Adjusted List Price (USD)	Qty	Extended List Price (USD)
UCSX-9508-NEW-D Valid		1,335.00	1	1,335.00
Not sold standalone UCS 9508 Chassis w/o nodes				
Add Custom Name Edit Options Edit Services/Subscriptions Remove Line				
Add a UCS 9500 CHASSIS from the left panel				
Product	Unit List Price (USD)	Adjusted List Price (USD)	Qty	Extended List Price (USD)
UCSX-215C-M8-U Valid		23,952.51	6	557,165.88
UCS X215c M8 Compute Node 2S				
Add Custom Name Edit Options Edit Services/Subscriptions Remove Line				
UCSX-215C-M8-FRE Valid		3,237.00	2	6,474.00
UCS X215c M8 R2L Free Compute Node 2S				
Add Custom Name Edit Options Edit Services/Subscriptions Remove Line				
UCSX-440P-NEW-D Valid		99,696.03	1	99,696.03
UCS X-Series Gen4 PCIe node for XCellerate Offer				
Add Custom Name Edit Options Remove Line				
Add a UCSX MODULAR SERVER from the left panel				
Product	Unit List Price (USD)	Adjusted List Price (USD)	Qty	Extended List Price (USD)
UCSX-FI-6536-NEW-D Valid a		11,093.03	2	22,186.06
XCellerate offer for Fabric Interconnect 6536 for IMM				
Add Custom Name Edit Options Edit Services/Subscriptions Remove Line				
CISCO INTERSIGHT > 0 Selected (Min 1, Max 1)				

- a. Click on “Edit Services/Subscriptions” to edit Term Duration for HW Support.

Note: It is recommended that Term Duration for HW Support must align with Software Subscription Duration.

Step 26.

The screenshot displays the configuration page for 'Fabric Interconnect' services. At the top, a green box labeled 'Fabric Interconnect' has an arrow pointing to another green box labeled 'Services/Subscriptions'. Below this, a dark blue box contains the service identifier 'UCSX-FI-6536-NEW-D'. The main interface shows a summary of the service subscription with a 'Service Total (USD)' of 6,144.00 and a 'Subscription Total (USD)' of 0.00. A notification states that additional discounts may apply for multi-year service. The 'Service Options' section includes a search bar for service levels and a 'Time Duration' section where the duration is set to 36 months. Red arrows labeled 'a' point to the 'Duration' input field, and red arrows labeled 'b' point to the 'Apply' and 'Done' buttons. A table below lists the service SKUs, including 'Cisco Customer Experience Level 1' and 'UCSX-FI-6536-NEW-D' with a unit list price of 6,144.00 USD and a quantity of 1. At the bottom right, a 'Configuration Summary' section shows 'Services' and 'All prices shown' with 'Cancel' and 'Done' buttons.

- a. Enter the Term Duration
- b. Click on “Apply” and “Done”

Step 27.

Cisco Intersight → **DC-MGT-SAAS**

Available Components

Component	Unit List Price (USD)
UCS 9500 CHASSIS	
UCSX MODULAR SERVER	
FABRIC INTERCONNECT	
CISCO INTERSIGHT	
DC-MGT-SAAS Cisco Intersight SaaS	0.00
CNDL-DESELECT-D Conditional Deselect Estimated Lead Time: --	0.00

UCSX-9508-NEW-D Valid

Not sold standalone UCS 9508 Chassis w/o nodes
Add Custom Name | Edit Options | Edit Services/Subscriptions | Remove Line

Add a UCS 9500 CHASSIS from the left panel

UCSX MODULAR SERVER > 9 Selected (Min 6, Max 84)

Product	Unit List Price (USD)	Adjusted List Price (USD)	Qty	Extended List Price (USD)
UCSX-215C-M8-U Valid		23,952.51	6	557,165.88
UCS X215c M8 Compute Node 2S Add Custom Name Edit Options Edit Services/Subscriptions Remove Line				
UCSX-215C-M8-FRE Valid		3,237.00	2	6,474.00
UCS X215c M8 R2L Free Compute Node 2S Add Custom Name Edit Options Edit Services/Subscriptions Remove Line				
UCSX-440P-NEW-D Valid		99,696.03	1	99,696.03
UCS X-Series Gen4 PCIe node for XCellerate Offer Add Custom Name Edit Options Remove Line				

Add a UCSX MODULAR SERVER from the left panel

FABRIC INTERCONNECT > 2 Selected (Min 1, Max 2)

Product	Unit List Price (USD)	Adjusted List Price (USD)	Qty	Extended List Price (USD)
UCSX-FI-6536-NEW-D Valid		15,189.03	2	30,378.06
XCellerate offer for Fabric Interconnect 6536 for IMM Add Custom Name Edit Options Edit Services/Subscriptions Remove Line				


CISCO INTERSIGHT > 1 Selected (Min 1, Max 1)

Product	Unit List Price (USD)	Adjusted List Price (USD)	Qty	Extended List Price (USD)
DC-MGT-SAAS Invalid		0.00	1	0.00
Cisco Intersight SaaS Add Custom Name Edit Options Remove Line				

Requested Start Date 10-Aug-2024 **Requested For** 36 Months From 10-Aug-2024 To 09-Aug-2027 **Automatically Renews For** 12 Months On 10-Aug-2027 **Billing Frequency** Prepaid Term

- a. It is recommended that Term Duration for HW Support align with Software Subscription Duration.
- b. Intersight is a required selection, if you have not previously purchased Cisco Intersight Software. Please make selection by clicking “PLUS”. Click on Edit Options to configure.

Step 28.



Offer Configuration DC-MGT-SAAS(Part of UCSX-M8-XCCELERATE)	Estimated Lead Time NA	Price List Global Price List (USD)	Total (USD) 0.00
---	---------------------------	---------------------------------------	---------------------

Requested Terms and Billing

Requested Start Date ⓘ 10-Aug-2024	Requested For 36 Months From 10-Aug-2024 To 09-Aug-2027	Automatically Renews For ⓘ 12 Months On 10-Aug-2027	Billing Frequency Prepaid Term
---------------------------------------	--	--	-----------------------------------

REQUESTED FOR 36 Months | From 10-Aug-2024 To 09-Aug-2027

Requested Start Date

Day: 10 | Month: Aug | Year: 2024 ← a

Enter any date up between 07-Aug-2024 and 04-Nov-2024

End Date

Effective For 36 Months ← b

Enter any whole month value from 1-96

Co-Term to an End Date ⓘ

Day: 9 | Month: Aug | Year: 2027 ← b

Enter any date up between 07-Nov-2024 and 09-Aug-2032

Automatically Renews For ⓘ 12 Months On 10-Aug-2027

Auto Renewal ⓘ On ← b

12 Months

Billing Frequency ⓘ Prepaid Term ← b

Prepaid Term

Annual Billing

Quarterly Billing

Monthly Billing

Cancel Save Changes

- a. **Requested Start Date (RSD)** is now dependent on HW Ship Date and will automatically starts when the HW ships. If you change the **RSD**, the Software will start either on the **RSD** you picked or the HW Ship Date whichever is later.
- b. **End Date** (duration in months) is defaulted to **36 Months**, **Auto Renewal** (on/off) is defaulted to **On** and **Billing Frequency** is defaulted to **Prepaid Term**. You can still change the setting accordingly.

Step 29.

Offer Configuration DC-MGT-SAAS(Part of UCSX-M8-XCELERATE)	Estimated Lead Time NA	Price List Global Price List (USD)	Total (USD) 0.00
--	---------------------------	---------------------------------------	---------------------

Requested Terms and Billing

Requested Start Date 10-Aug-2024	Requested For 36 Months From 10-Aug-2024 To 09-Aug-2027	Automatically Renews For 12 Months On 10-Aug-2027	Billing Frequency Prepaid Term
-------------------------------------	--	--	-----------------------------------

Configuration Summary

Cisco Intersight 2.0 Infrastructure Services

Cisco Intersight Workload Optimizer (IWO) - SaaS

Cisco Intersight Support

SKU	Qty	List Price
SVS-DCM-SUPT-BAS	1 Each	\$0.00

DC-MGT-SAAS > Cisco Intersight 2.0 Infrastructure Services

Cisco Intersight 2.0 Infrastructure Services

Device	SKU	Description	Unit List Price (USD)	Action
<input type="text" value="Qty"/>	DC-MGT-IS-SAAS-ES <small>SA</small>	Infrastructure Services SaaS/CVA - Essentials	Enter Qty to see List Price <small>Per Device/Month</small>	
<input type="text" value="Qty"/>	DC-MGT-IS-SAAS-AD <small>SA</small>	Infrastructure Services SaaS/CVA - Advantage	Enter Qty to see List Price <small>Per Device/Month</small>	
<input type="text" value="Qty"/>	DC-MGT-IS-PVAPP-ES <small>SA</small>	Infrastructure Services PVA - Essentials	Enter Qty to see List Price <small>Per Device/Month</small>	
<input type="text" value="Qty"/>	DC-MGT-IS-PVAPP-AD <small>SA</small>	Infrastructure Services PVA - Advantage	Enter Qty to see List Price <small>Per Device/Month</small>	

Add-Ons

Device	SKU	Description	Unit List Price (USD)	Action
<input type="text" value="Qty"/>	DC-MGT-IS-UCSD	UCS Director - 1 Server License (includes Network, Storage)	Enter Qty to see List Price <small>Per Device/Month</small>	

- a. The quantity of Cisco Intersight 2.0 Infrastructure Services License under Offer: DC-MGT-SAAS should be equal to the quantity of Server selected. Enter the quantity.

Step 30.

Offer Configuration DC-MGT-SAAS(Part of UCSX-M8-XCELERATE)	Estimated Lead Time NA	Price List Global Price List (USD)	Total (USD) 10,080.00																																					
Requested Terms and Billing																																								
Requested Start Date 10-Aug-2024	Requested For 36 Months From 10-Aug-2024 To 09-Aug-2027	Automatically Renews For 12 Months On 10-Aug-2027	Billing Frequency Prepaid Term																																					
<p>Please note that Cisco recommends Solution Support with Intersight which solves complex issues on average 44% faster than product support. For complete details, please refer to the following URL: https://www.cisco.com/c/en_us/customer-experience/support/solution-support.html (CE202322)</p> <p>Your subscription will start and be eligible to be invoiced: i) 30 days or less (7 days for A-FLEX/A-FLEX-3/A-WHOLESALE) after Cisco notifies you that any portion of the subscription is ready for you to provision OR, ii) the day any portion of the subscription is provisioned by Cisco, whichever of the two events happens first. (C01007)</p>																																								
Configuration Summary		DC-MGT-SAAS > Cisco Intersight Support																																						
<p>Cisco Intersight 2.0 Infrastructure Services</p> <table border="1" style="width: 100%; border-collapse: collapse;"> <thead> <tr> <th>SKU</th> <th>Qty</th> <th>List Price</th> </tr> </thead> <tbody> <tr> <td>DC-MGT-IS-SAAS-ES</td> <td>8 <small>Device</small></td> <td>\$35.00 <small>Per Device/Month</small></td> </tr> </tbody> </table> <p>Cisco Intersight Workload Optimizer (IWO) - SaaS</p> <p>Cisco Intersight Support</p> <table border="1" style="width: 100%; border-collapse: collapse;"> <thead> <tr> <th>SKU</th> <th>Qty</th> <th>List Price</th> </tr> </thead> <tbody> <tr> <td>SVS-DCM-SUPT-BAS</td> <td>1 <small>Each</small></td> <td>\$0.00 <small>Per Each/Month</small></td> </tr> </tbody> </table> <p>Auto Expansion</p> <p>Total \$10,080.00</p> <p> <input type="button" value="Restore Configuration"/> <input type="button" value="Cancel"/> <input type="button" value="Review Changes"/> </p>		SKU	Qty	List Price	DC-MGT-IS-SAAS-ES	8 <small>Device</small>	\$35.00 <small>Per Device/Month</small>	SKU	Qty	List Price	SVS-DCM-SUPT-BAS	1 <small>Each</small>	\$0.00 <small>Per Each/Month</small>	<p>Cisco Intersight Support</p> <table border="1" style="width: 100%; border-collapse: collapse;"> <thead> <tr> <th>Each</th> <th>SKU</th> <th>Description</th> <th>Unit List Price (USD)</th> <th>Action</th> </tr> </thead> <tbody> <tr> <td><input type="text" value="Qty"/></td> <td>SVS-SSTCS-DCMGMT <small>SA</small></td> <td>Solution Support for DC Mgmt</td> <td>Enter Qty to see List Price <small>Per Each/Month</small></td> <td><input type="button" value=""/></td> </tr> <tr> <td><input type="text" value="Qty"/></td> <td>SVS-L1DCS-INTER <small>SA</small></td> <td>CXL1 for INTERSIGHT</td> <td>Enter Qty to see List Price <small>Per Each/Month</small></td> <td><input type="button" value=""/></td> </tr> <tr> <td><input type="text" value="Qty"/></td> <td>SVS-L2DCS-INTER <small>SA</small></td> <td>CXL2 for INTERSIGHT</td> <td>Enter Qty to see List Price <small>Per Each/Month</small></td> <td><input type="button" value=""/></td> </tr> <tr> <td><input type="text" value="1"/></td> <td>SVS-DCM-SUPT-BAS</td> <td>Basic Support for DCM</td> <td>\$0.00 <small>Per Each/Month</small></td> <td><input type="button" value=""/></td> </tr> </tbody> </table>		Each	SKU	Description	Unit List Price (USD)	Action	<input type="text" value="Qty"/>	SVS-SSTCS-DCMGMT <small>SA</small>	Solution Support for DC Mgmt	Enter Qty to see List Price <small>Per Each/Month</small>	<input type="button" value=""/>	<input type="text" value="Qty"/>	SVS-L1DCS-INTER <small>SA</small>	CXL1 for INTERSIGHT	Enter Qty to see List Price <small>Per Each/Month</small>	<input type="button" value=""/>	<input type="text" value="Qty"/>	SVS-L2DCS-INTER <small>SA</small>	CXL2 for INTERSIGHT	Enter Qty to see List Price <small>Per Each/Month</small>	<input type="button" value=""/>	<input type="text" value="1"/>	SVS-DCM-SUPT-BAS	Basic Support for DCM	\$0.00 <small>Per Each/Month</small>	<input type="button" value=""/>
SKU	Qty	List Price																																						
DC-MGT-IS-SAAS-ES	8 <small>Device</small>	\$35.00 <small>Per Device/Month</small>																																						
SKU	Qty	List Price																																						
SVS-DCM-SUPT-BAS	1 <small>Each</small>	\$0.00 <small>Per Each/Month</small>																																						
Each	SKU	Description	Unit List Price (USD)	Action																																				
<input type="text" value="Qty"/>	SVS-SSTCS-DCMGMT <small>SA</small>	Solution Support for DC Mgmt	Enter Qty to see List Price <small>Per Each/Month</small>	<input type="button" value=""/>																																				
<input type="text" value="Qty"/>	SVS-L1DCS-INTER <small>SA</small>	CXL1 for INTERSIGHT	Enter Qty to see List Price <small>Per Each/Month</small>	<input type="button" value=""/>																																				
<input type="text" value="Qty"/>	SVS-L2DCS-INTER <small>SA</small>	CXL2 for INTERSIGHT	Enter Qty to see List Price <small>Per Each/Month</small>	<input type="button" value=""/>																																				
<input type="text" value="1"/>	SVS-DCM-SUPT-BAS	Basic Support for DCM	\$0.00 <small>Per Each/Month</small>	<input type="button" value=""/>																																				

- a. The Cisco Intersight License comes with separate Support. Basic Embedded Support is the default selection. It is recommended that Customer should upgrade to Solution Support or CX Success Track L1 or L2 for the HW.

Step 31.

Bundles Configuration
UCSX-MB-XCELERATE

Estimated Lead Time
182 days

Price List
Global Price List (USD)

Total
705,128.97

Get service preferences for this configuration

1. Please note that you are using a promotional PID which is available ONLY if qualified for the UCS X-Series Xccelerate Program. For details on the program, PIs review Sales Connect, contact your Cisco Account Manager or reach out to ask-ucsx@external.cisco.com. We encourage you NOT to book this PID if you do not qualify. Order will be on hold after booking to check for eligibility. (CE202322)

2. Please note that each UCSX 9508 Chassis can consume maximum 8 Servers. You have more number of Servers selected than number of Chassis currently selected can consume. Please consider either increasing the QTY of Servers to get more Free Chassis or select Additional Spare Chassis. UCSX-9508-D+ (CE202322)

3. Please note that this order will be placed on a Compliance Hold. Please reach out to sac-support@csco.com to check if this order meets eligibility criteria for hold removal. Note that the order will remain on compliance hold if you do not reach out to sac-support@csco.com to request eligibility check. (CE202322)

Available Components

UCS 9508 CHASSIS
Unit List Price (USD)
0.00
Estimated Lead Time: 21 days

UCSX-9508-NEW-D
Unit List Price (USD)
8,530.96
Estimated Lead Time: 21 days

UCSX MODULAR SERVER
Unit List Price (USD)
23,952.51
Estimated Lead Time: 21 days

FABRIC INTERCONNECT
Unit List Price (USD)
15,189.03
Estimated Lead Time: 21 days

CISCO INTERSIGHT
Unit List Price (USD)
35.00
Estimated Lead Time: 21 days

UCSX 9508 CHASSIS > 1 Selected (Min 1, Max 99)

Product	Unit List Price (USD)	Adjusted List Price (USD)	Qty	Extended List Price (USD)
UCSX-9508-NEW-D Not sold standalone UCS 9508 Chassis w/o nodes Add Custom Name Edit Options Edit Services/Subscriptions Remove Line	1,335.00	1,335.00	1	1,335.00

Add a UCS 9508 CHASSIS from the left panel

UCSX MODULAR SERVER > 9 Selected (Min 6, Max 54)

Product	Unit List Price (USD)	Adjusted List Price (USD)	Qty	Extended List Price (USD)
UCSX-218C-MB-UJ Valid UCS X215c MB Compute Node 2S Add Custom Name Edit Options Edit Services/Subscriptions Remove Line	23,952.51	23,952.51	6	557,165.88
UCSX-218C-MB-FRE Valid UCS X215c MB R2L Free Compute Node 2S Add Custom Name Edit Options Edit Services/Subscriptions Remove Line	3,237.00	3,237.00	2	6,474.00
UCSX-440P-NEW-D Valid UCS X-Series Gen4 PCIe node for Xccelerate Add Custom Name Edit Options Remove Line	99,696.03	99,696.03	1	99,696.03

Add a UCSX MODULAR SERVER from the left panel

FABRIC INTERCONNECT > 2 Selected (Min 1, Max 2)

Product	Unit List Price (USD)	Adjusted List Price (USD)	Qty	Extended List Price (USD)
UCSX-F14838-NEW-D Valid Xccelerate offer for Fabric Interconnect 6536 for IMM Add Custom Name Edit Options Edit Services/Subscriptions Remove Line	15,189.03	15,189.03	2	30,378.06

CISCO INTERSIGHT > 1 Selected (Min 1, Max 1)

Product	Unit List Price (USD)	Adjusted List Price (USD)	Qty	Extended List Price (USD)
DC-MGT-SAAS Valid Cisco Intersight SaaS Add Custom Name Edit Options Remove Line	35.00	35.00	1	10,080.00

Requested Start Date
10-Aug-2024

Requested For
36 Months From 10-Aug-2024 To 09-Aug-2027

Automatically Renews For
12 Months On 10-Aug-2027

Billing Frequency
Prepaid Term

- Configuration for MLB is completed when status of each Product is Valid and warning messages are cleared.
- Click on the "PLUS" to expand and view the selections made for each Product.
- Click on the "DONE" to complete the MLB Configuration.

Scenario 2: Customer With Enterprise Agreement for Cisco Intersight Software License

Step 1.



← a
[← Import Saved Configuration]
🔍
💡
📱
👛
Estimate Preferences ▾
⋮

Lines View ☰
Apply Success Track
Manage Groups
Remove Selected Lines
More Actions ▾
Zero List Price Items
Hide
Show
🔍 Search Estimate Line Items
⊞

<input type="checkbox"/>	Hardware, Software and Services	Estimated Lead Time ⌵ <small>(Days)</small>	Unit List Price <small>(USD)</small>	Qty	Unit Net Price <small>(USD)</small>	Discounts <small>(%)</small>	Extended Net Price <small>(USD)</small>
<input type="checkbox"/>	1.0 UCSX-M8-XCELERATE ⚠️ Invalid as of 07-Aug-2024 03:51:35 PDT UCS-X M8 Xccelerate Offer - Subject to approval	Not Applicable	0.00	1	0.00	0.00	0.00

b →
 Select Options
Validate
Recommended Content
Add Note
Add Subtotal
Copy
Remove Line

- a. In CCW, search for MLB PID and click on “Add”
- b. Click on “Select Options” to enter the configurator.

Step 2.

UCS 9500 Chassis

UCSX-9508-NEW-D

IFM

Power Supply

Power Cable

Bundle Configuration: UCSX-M8-XCELERATE
Estimated Lead Time: 182 days
Global Price: \$1,174.00

Set service preferences for this configuration

1: FABRIC INTERCONNECT requires a minimum of 1 component(s). Please add additional quantities as necessary. (CE100010)
2: The category FABRIC INTERCONNECT is required. (CE100103)
3: CISCO INTERSIGHT requires a minimum of 1 component(s). Please add additional quantities as necessary. (CE100010)
4: The category CISCO INTERSIGHT is required. (CE100103)
5: Please note that you are using a promotional PID which is available ONLY IF qualified for the 'UCS X-Series Xccelerate' Program. For details on the program, Pls review Sales Connect, contact your Cisco Account Manager or reach out to ask-ucsx@external.cisco.com. We encourage you NOT to book this PID if you do not qualify. Order will be on hold after booking to check for eligibility. (CE202322)

Product	Unit List Price (USD)	Adjusted List Price (USD)	Qty	Extended List Price (USD)
UCSX-9508-NEW-D Invalid Not sold standalone UCS 9508 Chassis w/o nodes		445.00	1	445.00
UCSX-215C-M8-U Invalid UCS X215c M8 Compute Node 2S	9,621.50		6	57,729.00

Available Components

- UCS 9500 CHASSIS
 - UCSX-9508-NEW-D: 0.00
 - UCSX-9508-D=: 8,530.96
- UCSX MODULAR SERVER
- FABRIC INTERCONNECT
- CISCO INTERSIGHT

- UCSX-9508-NEW-D ATO is preselected with 1 QTY under MLB and can be selected up to 4 QTY.
- Notice the UCSX-9508-NEW-D ATO Status is invalid as further configuration needed
- Click on "Edit Options" to enter the configurator.

Step 3.

UCS 9500 Chassis

↓

UCSX-9508-NEW-D → **IFM**
Power Supply
Power Cable

Product Configuration: UCSX-9508-NEW-D part of UCSX-M8-XCCFL/GRATE
 Estimated Lead Time: 21 days
 Price List: Global
 Total (USD): 0.00

Warnings:

- 1: The quantity of Power Cable must be equal to the quantity of Power Supply selected. Please adjust the quantity. (CE200050)
- 2: Please note that this order will be placed on a Compliance Hold. Please reach out to sac-support@cisco.com to check if this order meets eligibility criteria for hold removal. Note that the order will remain on compliance hold if you do not reach out to sac-support@cisco.com to request eligibility check. (CE202322)
- 3: Use Power Calculator to determine the correct power supply. The Power Calculator can be found at <http://ucspowercalc.cisco.com>. (CE200696)
- 4: UCSX-9508-NEW-D quantity 1 requires a minimum quantity of 2 from Intelligent Fabric Module (CE100012)

Configuration Summary

Category	Qty	Extended List Price (USD)
Intelligent Fabric Module		
Power		
UCSX-PSU-2800AC-D	6	0.00
X-Fabric Module		
Accessory		
UCSX-C-DEBUGCBL-D	1	0.00
UCSX SW		
UCSX-CHASSIS-SW-D	1	0.00
Chassis Expansion		
Total		0.00
Estimated Lead Time		21 days

Intelligent Fabric Module

SKU	Qty	Estimated Lead Time	Unit List Price (USD)
<input type="radio"/> UCSX-I-9108-25G-D UCS 9108-25G IFM for 9508 Chassis	2	21 days	0.00
<input type="radio"/> UCSX-I9108-100G-D UCS 9108-100G IFM for 9508 Chassis	2	21 days	0.00

Buttons: Reset Configuration, Cancel, Done

- Configure UCSX-9508-NEW-D by selecting Intelligent Fabric Module, X-Fabric Module (if UCSX-440P-NEW-D is required) and Power Cables from category window on the left.
- Follow warning messages to configure the minimum required selections under Chassis.
- Click on "Done"

Step 4.

UCS 9500 Chassis

UCSX-9508-NEW-D

IFM

Power Supply

Power Cable

Bundle Configuration: UCSX-M8-XCELERATE
Estimated Lead Time: 182 days
Price List: Global Price List (USD)

Set service preferences for this configuration

1: FABRIC INTERCONNECT requires a minimum of 1 component(s). Please add additional quantities as necessary. (CE100010)
2: The category FABRIC INTERCONNECT is required. (CE100103)
3: CISCO INTERSIGHT requires a minimum of 1 component(s). Please add additional quantities as necessary. (CE100010)
4: The category CISCO INTERSIGHT is required. (CE100103)
5: Please note that you are using a promotional PID which is available ONLY IF qualified for the 'UCS X-Series Xcelerate' Program. For details on the program, Pls review Sales Connect, contact your Cisco Account Manager or reach out to ask-ucsx@external.cisco.com. We encourage you NOT to book this PID if you do not qualify. Order will be on hold after booking to check for eligibility. (CE202322)

Available Components	Unit List Price (USD)	Product	Unit List Price (USD)	Adjusted List Price (USD)	Qty	Extended List Price (USD)
UCS 9500 CHASSIS		UCSX-9508-NEW-D	445.00	445.00	1	445.00
UCSX-9508-NEW-D Not sold standalone UCS 9508 Chassis w/o nodes 1 required	0.00	UCSX-9508-NEW-D Valid Not sold standalone UCS 9508 Chassis w/o nodes				
UCSX-9508-D+ UCS 9508 Chassis	8,530.96	UCSX-215C-M8-U Invalid UCS X215c M8 Compute Node 2S	9,621.50		6	57,729.00

- a. Note Status is now showing as Valid.
- b. Increase the quantity for multiples of same configuration.
- c. Click the “PLUS” to add and configure the same product with different option/quantities.

Step 5.

UCS 9500 Chassis

UCSX-9508-NEW-D ➔ Services/Subscriptions

Bundle Configuration UCSX-M8-XCELERATE	Estimated Lead Time 182 days	Price List Global Price List (USD)	Total 58,174.00
---	---------------------------------	---------------------------------------	--------------------

Set service preferences for this configuration Cancel Done

⚠️ 1: FABRIC INTERCONNECT requires a minimum of 1 component(s). Please add additional quantities as necessary. (CE100010)

2: The category FABRIC INTERCONNECT is required. (CE100103)

3: CISCO INTERSIGHT requires a minimum of 1 component(s). Please add additional quantities as necessary. (CE100010)

4: The category CISCO INTERSIGHT is required. (CE100103)

5: Please note that you are using a promotional PID which is available ONLY IF qualified for the 'UCS X-Series Xcelerate' Program. For details on the program, pls review Sales Connect, contact your Cisco Account Manager or reach out to ask-ucsx@external.cisco.com. We encourage you NOT to book this PID if you do not qualify. Order will be on hold after booking to check for eligibility. (CE202322)

Available Components	Unit List Price (USD)	UCS 9500 CHASSIS > 1 Selected (Min 1, Max 99)																																								
<div style="background-color: #e0e0e0; padding: 2px; margin-bottom: 5px;">UCS 9500 CHASSIS</div> <div style="border: 1px solid #ccc; padding: 2px; margin-bottom: 5px;"> <div style="display: flex; justify-content: space-between;"> UCSX-9508-NEW-D 0.00 </div> <div style="font-size: 0.8em; margin-top: 2px;">Not sold standalone UCS 9508 Chassis w/o nodes 1 requi</div> <div style="margin-top: 2px;"> red </div> <div style="margin-top: 2px;"> Estimated Lead Time: 21 days </div> </div> <div style="border: 1px solid #ccc; padding: 2px; margin-bottom: 5px;"> <div style="display: flex; justify-content: space-between;"> UCSX-9508-D# 8,530.96 </div> <div style="font-size: 0.8em; margin-top: 2px;">UCS 9508 Chassis</div> <div style="margin-top: 2px;"> Estimated Lead Time: 21 days </div> </div>		<table style="width: 100%; border-collapse: collapse;"> <thead> <tr> <th style="width: 30%;">Product</th> <th style="width: 20%;">Unit List Price (USD)</th> <th style="width: 20%;">Adjusted List Price (USD)</th> <th style="width: 10%;">Qty</th> <th style="width: 20%;">Extended List Price (USD)</th> </tr> </thead> <tbody> <tr> <td style="border: 1px solid #ccc; padding: 2px;"> <div style="display: flex; justify-content: space-between;"> UCSX-9508-NEW-D Valid ⚠️ </div> <div style="font-size: 0.8em; margin-top: 2px;">Not sold standalone UCS 9508 Chassis w/o nodes</div> <div style="margin-top: 2px;"> a </div> </td> <td></td> <td style="text-align: right;">445.00</td> <td style="text-align: center;">1</td> <td style="text-align: right;">445.00</td> </tr> <tr> <td colspan="5" style="font-size: 0.8em; text-align: center;">Add Custom Name Edit Options Edit Services/Subscriptions Remove Line</td> </tr> <tr> <td colspan="5" style="text-align: center; font-size: 0.8em;">Add a UCS 9500 CHASSIS from the left panel</td> </tr> </tbody> </table> <table style="width: 100%; border-collapse: collapse; margin-top: 10px;"> <thead> <tr> <th style="width: 30%;">Product</th> <th style="width: 20%;">Unit List Price (USD)</th> <th style="width: 20%;">Adjusted List Price (USD)</th> <th style="width: 10%;">Qty</th> <th style="width: 20%;">Extended List Price (USD)</th> </tr> </thead> <tbody> <tr> <td style="border: 1px solid #ccc; padding: 2px;"> <div style="display: flex; justify-content: space-between;"> UCSX-215C-M8-U Invalid ⚠️ </div> <div style="font-size: 0.8em; margin-top: 2px;">UCS X215c M8 Compute Node 2S</div> </td> <td></td> <td style="text-align: right;">9,621.50</td> <td style="text-align: center;">6</td> <td style="text-align: right;">57,729.00</td> </tr> <tr> <td colspan="5" style="font-size: 0.8em; text-align: center;">Add Custom Name Edit Options Edit Services/Subscriptions Remove Line</td> </tr> <tr> <td colspan="5" style="text-align: center; font-size: 0.8em;">Add a UCSX MODULAR SERVER from the left panel</td> </tr> </tbody> </table> <p style="font-size: 0.8em; margin-top: 10px;">FABRIC INTERCONNECT > 0 Selected (Min 1, Max 2) Add a FABRIC INTERCONNECT from the left panel</p> <p style="font-size: 0.8em; margin-top: 10px;">CISCO INTERSIGHT > 0 Selected (Min 1, Max 1) Add a CISCO INTERSIGHT from the left panel</p>	Product	Unit List Price (USD)	Adjusted List Price (USD)	Qty	Extended List Price (USD)	<div style="display: flex; justify-content: space-between;"> UCSX-9508-NEW-D Valid ⚠️ </div> <div style="font-size: 0.8em; margin-top: 2px;">Not sold standalone UCS 9508 Chassis w/o nodes</div> <div style="margin-top: 2px;"> a </div>		445.00	1	445.00	Add Custom Name Edit Options Edit Services/Subscriptions Remove Line					Add a UCS 9500 CHASSIS from the left panel					Product	Unit List Price (USD)	Adjusted List Price (USD)	Qty	Extended List Price (USD)	<div style="display: flex; justify-content: space-between;"> UCSX-215C-M8-U Invalid ⚠️ </div> <div style="font-size: 0.8em; margin-top: 2px;">UCS X215c M8 Compute Node 2S</div>		9,621.50	6	57,729.00	Add Custom Name Edit Options Edit Services/Subscriptions Remove Line					Add a UCSX MODULAR SERVER from the left panel				
Product	Unit List Price (USD)	Adjusted List Price (USD)	Qty	Extended List Price (USD)																																						
<div style="display: flex; justify-content: space-between;"> UCSX-9508-NEW-D Valid ⚠️ </div> <div style="font-size: 0.8em; margin-top: 2px;">Not sold standalone UCS 9508 Chassis w/o nodes</div> <div style="margin-top: 2px;"> a </div>		445.00	1	445.00																																						
Add Custom Name Edit Options Edit Services/Subscriptions Remove Line																																										
Add a UCS 9500 CHASSIS from the left panel																																										
Product	Unit List Price (USD)	Adjusted List Price (USD)	Qty	Extended List Price (USD)																																						
<div style="display: flex; justify-content: space-between;"> UCSX-215C-M8-U Invalid ⚠️ </div> <div style="font-size: 0.8em; margin-top: 2px;">UCS X215c M8 Compute Node 2S</div>		9,621.50	6	57,729.00																																						
Add Custom Name Edit Options Edit Services/Subscriptions Remove Line																																										
Add a UCSX MODULAR SERVER from the left panel																																										

a. Click on “Edit Services/Subscriptions” to edit Term Duration for HW Support.

Note: It is recommended that Term Duration for HW Support must align with Software Subscription Duration.

Step 6.

UCS 9500 Chassis

UCSX-9508-NEW-D → **Services/Subscriptions**

Service Subscription: UCSX-9508-NEW-D | Price List: Global Price List in US Dollars (USD) | Service Total (USD): 1,335.00 | 0.00

Service | Non Serviceable Products

The duration that you entered has been successfully applied to all the services. (C0329)

Service Options

Choose Service Level from: All Service Programs

Search by Name & Description

Note: Cisco may still install another compatible service if required. Compatible services are the services that come with primary service and are based on products.

Time Duration: Duration (36) | Delay service start to | Co-Term service to

Buttons:

Service SKU	Product SKU	Unit List Price (USD)	Qty	Total List Price (USD)
Cisco Customer Experience Level 1 (1 ITEM) SERVICE PROGRAM CON-LINCO-UCSX5958 CX LEVEL 1 8X7XNCDOS Not sold standalone UCS 95... SERVICE SKU Change Service Remove Service	LINCO (CX LEVEL 1 8X7XNCDOS) SUMMARY Duration 36 Months UCSX-9508-NEW-D Not sold standalone UCS 9508 Chassis w/o nodes PRODUCT SKU	1,335.00	1	1,335.00

Buttons:

Configuration Summary | All prices shown in USD

Services

Buttons:

- a. Enter the Term Duration
- b. Click on “Apply” and “Done”

Step 7.

Bundle Configuration
UCSX-M8-XCELERATE

Estimated Lead Time
182 days

Global Time List (0)

Set service preferences for this configuration

Cancel Done

1: FABRIC INTERCONNECT requires a minimum of 1 component(s). Please add additional quantities as necessary. (CE100010)
 2: The category FABRIC INTERCONNECT is required. (CE100103)
 3: CISCO INTERSIGHT requires a minimum of 1 component(s). Please add additional quantities as necessary. (CE100010)
 4: The category CISCO INTERSIGHT is required. (CE100103)
 5: Please note that you are using a promotional PID which is available ONLY IF qualified for the 'UCS X-Series Xcelerate' Program. For details on the program, PIs review Sales Connect, contact your Cisco Account Manager or reach out to ask-ucsx@external.cisco.com. We encourage you NOT to book this PID if you do not qualify. Order will be on hold after booking to check for eligibility. (CE2023Z2)

Available Components

Component	Unit List Price (USD)
UCS 9500 CHASSIS	0.00
UCSX-9508-NEW-D	0.00
UCSX-9508-D=	8,530.96

UCS 9500 CHASSIS > 1 Selected (Min 1, Max 99)

Product	Unit List Price (USD)	Adjusted List Price (USD)	Qty	Extended List Price (USD)
UCSX-9508-NEW-D	1,335.00	1,335.00	1	1,335.00

MODULAR SERVER > 6 Selected (Min 6, Max 64)

Product	Unit List Price (USD)	Adjusted List Price (USD)	Qty	Extended List Price (USD)
UCSX-215C-M8-U	9,621.50	9,621.50	6	57,729.00

FABRIC INTERCONNECT > 0 Selected (Min 1, Max 2)

CISCO INTERSIGHT > 0 Selected (Min 1, Max 1)

- a. Please note that each UCSX 9508 Chassis can consume maximum 8 Servers. If You have more number of Servers selected than number of Chassis currently you have can consume, consider selecting Additional Spare Chassis: UCSX-9508-D=

Step 8.

UCSX Modular Server

UCSX-215C-M8-U

CPU

Memory

Drives

Bundle Configuration: UCSX-M8-XCELERATE
Estimated Lead Time: 182 days

Set service preferences for this configuration

1: FABRIC INTERCONNECT requires a minimum of 1 component(s). Please add additional quantities as necessary. (CE100010)
 2: The category FABRIC INTERCONNECT is required. (CE100103)
 3: CISCO INTERSIGHT requires a minimum of 1 component(s). Please add additional quantities as necessary. (CE100010)
 4: The category CISCO INTERSIGHT is required. (CE100103)
 5: Please note that you are using a promotional PID which is available ONLY IF qualified for the 'UCS X-Series Xcelerate' Program. For details on the program, Pls review Sales Connect, contact your Cisco Account Manager or reach out to ask-ucsx@external.cisco.com. We encourage you NOT to book this PID if you do not qualify. Order will be on hold after booking to check for eligibility. (CE202322)

Product	Unit List Price (USD)	Adjusted List Price (USD)	Qty	Extended List Price (USD)
UCSX-9508-NEW-D Valid		1,335.00	1	1,335.00
Add a UCS 9500 CHASSIS from the left panel				
UCSX MODULAR SERVER Invalid		9,621.50	6	57,729.00
Add a UCSX MODULAR SERVER from the left panel				
FABRIC INTERCONNECT > 0 Selected (Min 1, Max 2) Add a FABRIC INTERCONNECT from the left panel				
CISCO INTERSIGHT > 0 Selected (Min 1, Max 1) Add a CISCO INTERSIGHT from the left panel				

- Paid Node: UCSX-215C-M8-U is preselected with 6 QTY under MLB and can be selected up to 32 QTY.
- Notice the UCSX-215C-M8-U ATO Status is invalid as further configuration needed.
- Select 'Edit Options' to enter the configurator.

Step 9.

UCSX Modular Server

UCSX-215C-M8-U → **CPU**, **Memory**, **Drives**

Product Configuration: UCSX-215C-M8-U part of UCSX-M8-XCELERATE
 Estimated Lead Time: 182 days
 Price List: Global Price List in US Dollars (USD)
 Total (USD): 8,542.50

Configuration Summary

Category	Qty	Extended List Price (USD)
Processor		
Memory		
Front MEZZ - Controller		
Rear MEZZ - MLOM/PCI		
Storage Drives		
SATA M.2		
NVMe Boot		
Security Options		
XSeries ComputeNode SW		
Total		8,542.50
Estimated Lead Time		182 days

Processor Options

SKU	Qty	Estimated Lead Time	Unit List Price (USD)
UCSX-CPU-A9654	Qty	182 days	22,661.77
UCSX-CPU-A9124	Qty	45 days	3,543.27
UCSX-CPU-A9224	Qty	45 days	5,320.59
UCSX-CPU-A9254	Qty	182 days	6,552.21
UCSX-CPU-A9334	Qty	182 days	8,390.16

- a. Configure UCSX-215C-M8-U by selecting peripherals from category window on the left.
- b. PIDs are listed in the window on the right. Some PIDs like Memory and Drives are grouped according to type or series; select from the grouped options located above SKU window on the right.
- c. Follow warning messages to configure the minimum required option PIDs.
- d. Select Done when completed.

Step 10.

UCSX Modular Server

UCSX-215C-M8-U **CPU**
Memory
Drives

Bundle Configuration: UCSX-M8-XCELERATE
Estimated Lead Time: 182 days
Price List: Global Price List (USD)

Set service preferences for this configuration

1: FABRIC INTERCONNECT requires a minimum of 1 component(s). Please add additional quantities as necessary. (CE100010)
2: The category FABRIC INTERCONNECT is required. (CE100103)
3: CISCO INTERSIGHT requires a minimum of 1 component(s). Please add additional quantities as necessary. (CE100010)
4: The category CISCO INTERSIGHT is required. (CE100103)
5: Please note that you are using a promotional PID which is available ONLY IF qualified for the 'UCS X-Series Xcelerate' Program. For details on the program, pls review Sales Connect, contact your Cisco Account Manager or reach out to ask-ucsx@external.cisco.com. We encourage you NOT to book this PID if you do not qualify. Order will be on hold after booking to check for eligibility. (CE202322)

Available Components	Unit List Price (USD)
UCS 9500 CHASSIS	
UCSX MODULAR SERVER	
UCSX-215C-M8-U UCS X215c M8 Compute Node 2S 6 required Estimated Lead Time: 182 days	8,542.50
UCSX-215C-M8-FRE UCS X215c M8 R2L Free Compute Node 2S Estimated Lead Time: --	0.00
UCSX-440P-NEW-D UCS X-Series Gen4 PCIe node for XCellerate Offer Estimated Lead Time: 21 days	0.03
FABRIC INTERCONNECT	
CISCO INTERSIGHT	

Product	Unit List Price (USD)	Adjusted List Price (USD)	Qty	Extended List Price (USD)
UCSX-9508-NEW-D Valid Not sold standalone UCS 9508 Chassis w/o nodes			1	1,335.00
UCSX MODULAR SERVER > 6 Selected (Min 6, Max 84)				
UCSX-215C-M8-U Valid UCS X215c M8 Compute Node 2S		21,794.51	6	544,217.88

- a. Note Status is now showing as Valid.
- b. Increase the quantity for multiples of same configuration.
- c. Click the “PLUS” to add and configure the same product with different option/quantities or select a different product.

Step 11.

UCSX Modular Server

UCSX-215C-M8-U

Services/Subscriptions

Bundle Configuration: UCSX-M8-XCELERATE
 Estimated Lead Time: 182 days
 Price List: Global Price List (USD)
 Total: 545,552.88

Set service preferences for this configuration

1: FABRIC INTERCONNECT requires a minimum of 1 component(s). Please add additional quantities as necessary. (CE100010)
 2: The category FABRIC INTERCONNECT is required. (CE100103)
 3: CISCO INTERSIGHT requires a minimum of 1 component(s). Please add additional quantities as necessary. (CE100010)
 4: The category CISCO INTERSIGHT is required. (CE100103)
 5: Please note that you are using a promotional PID which is available ONLY IF qualified for the 'UCS X-Series Xcelerate' Program. For details on the program, Pls review Sales Connect, contact your Cisco Account Manager or reach out to ask-ucsx@external.cisco.com. We encourage you NOT to book this PID if you do not qualify. Order will be on hold after booking to check for eligibility. (CE202322)

Available Components	Unit List Price (USD)
UCS 9500 CHASSIS	
UCSX MODULAR SERVER	
UCSX-215C-M8-U UCS X215c M8 Compute Node 2S 6 required Estimated Lead Time: 182 days	8,542.50
UCSX-215C-M8-FRE UCS X215c M8 R2L Free Compute Node 2S Estimated Lead Time: --	0.00
UCSX-440P-NEW-D UCS X-Series Gen4 PCIe node for XCellerate Offer Estimated Lead Time: 21 days	0.03
FABRIC INTERCONNECT	
CISCO INTERSIGHT	

Product	Unit List Price (USD)	Adjusted List Price (USD)	Qty	Extended List Price (USD)
UCSX-9508-NEW-D Not sold standalone UCS 9508 Chassis w/o nodes		1,335.00	1	1,335.00
UCSX MODULAR SERVER > 6 Selected (Min 6, Max 84)				
UCSX-215C-M8-U UCS X215c M8 Compute Node 2S		21,794.51	6	544,217.88
FABRIC INTERCONNECT > 0 Selected (Min 1, Max 2)				
CISCO INTERSIGHT > 0 Selected (Min 1, Max 1)				

a. Click on “Edit Services/Subscriptions” to edit Term Duration for HW Support.

Note: It is recommended that Term Duration for HW Support must align with Software Subscription Duration.

Step 12.

UCSX Modular Server

UCSX-215C-M8-U

➔

Services/Subscriptions

Service Subscription UCSX-215C-M8-U	Price List Global Price List in US Dollars (USD)	Service Total (USD) 3,237.00	Subscription Total (USD) 0.00
--	---	---------------------------------	----------------------------------

i You may receive additional discounts because you selected two or more years of service. To review your discounts you can go to the Order or Quoting discount pages. (C0124)

◆ The duration that you entered has been successfully applied to all the services. (C0329)

Service Options

Choose Service Level from All Service Programs ▼

Search by Name & Description

Note: Cisco may still install another compatible service if required. Compatible services are the services that come with primary service and are based on products.

Time Duration ⓘ

Duration

Delay service start to

Co-Term service to

Duration

36

Reset
Apply

Service SKU	Product SKU	Unit List Price (USD)	Qty	Total List Price (USD)
Cisco Customer Experience Level 1 (1 ITEM) SERVICE PROGRAM CON-L1NCO-UCSX2CMU CX LEVEL 1 8X7XNCDOS UCS X215c M8 Compute N... SERVICE SKU Change Service Remove Service	L1NCO (CX LEVEL 1 8X7XNCDOS) SUMMARY Duration 36 Months UCSX-215C-M8-U UCS X215c M8 Compute Node 2S PRODUCT SKU	3,237.00	1	3,237.00

Remove All Services
Remove All Additional Services

Configuration Summary All prices shown in USD

Services

Cancel
Done

- a. Enter the Term Duration
- b. Click on “Apply” and “Done”

Step 13.

UCSX Modular Server

UCSX-215C-M8-FRE

CPU

Memory

Drives

Bundle Configuration: UCSX-M8-XCELERATE
 Estimated Lead Time: 182 days
 Price List: Global Pr
 Total: 60,658.88

Set service preferences for this configuration

1: FABRIC INTERCONNECT requires a minimum of 1 component(s). Please add additional quantities as necessary. (CE100010)
 2: The category FABRIC INTERCONNECT is required. (CE100103)
 3: CISCO INTERSIGHT requires a minimum of 1 component(s). Please add additional quantities as necessary. (CE100010)
 4: The category CISCO INTERSIGHT is required. (CE100103)
 5: Please note that you are using a promotional PID which is available ONLY IF qualified for the 'UCS X-Series Xccelerate' Program. For details on the program, pls review Sales Connect, contact your Cisco Account Manager or reach out to ask-ucsx@external.cisco.com. We encourage you NOT to book this PID if you do not qualify. Order will be on hold after booking to check for eligibility. (CE202322)

Available Components

Component	Unit List Price (USD)
UCS 9500 CHASSIS	
UCSX MODULAR SERVER	
UCSX-215C-M8-U UCS X215c M8 Compute Node 2S 6 required Estimated Lead Time: 182 days	8,542.50
UCSX-215C-M8-FRE UCS X215c M8 R2L Free Compute Node 2S Estimated Lead Time: --	0.00
UCSX-440P-NEW-D UCS X-Series Gen4 PCIe node for Xccelerate Offer Estimated Lead Time: 21 days	0.03
FABRIC INTERCONNECT	
CISCO INTERSIGHT	

UCS 9500 CHASSIS > 1 Selected (Min 1, Max 99)

Product	Unit List Price (USD)	Adjusted List Price (USD)	Qty	Extended List Price (USD)
UCSX-9508-NEW-D Not sold standalone UCS 9508 Chassis w/o nodes Add Custom Name Edit Options Edit Services/Subscriptions Remove Line			1	1,335.00

UCSX MODULAR SERVER > 8 Selected (Min 6, Max 84)

Product	Unit List Price (USD)	Adjusted List Price (USD)	Qty	Extended List Price (USD)
UCSX-215C-M8-U UCS X215c M8 Compute Node 2S Add Custom Name Edit Options Edit Services/Subscriptions Remove Line	23,952.51		6	557,165.88
UCSX-215C-M8-FRE UCS X215c M8 R2L Free Compute Node 2S Add Custom Name Edit Options Edit Services/Subscriptions Remove Line	1,079.00		2	2,158.00

FABRIC INTERCONNECT > 0 Selected (Min 1, Max 2)

- Free Node: UCSX-215C-M8-FRE is an optional selection and can be selected with minimum 2 QTY and max 10 QTY
- Notice the UCSX-215C-M8-FRE ATO Status is invalid as further configuration needed.
- Click on 'Edit Option' to enter the configurator.

Note: Configuration of Paid Node and Free Node should be identical.

Step 14.

UCSX Modular Server

UCSX-215C-M8-FRE → **CPU**, **Memory**, **Drives**

Product Configuration: UCSX-215C-M8-FRE part of UCSX-M8-XCELERATOR Estimated Lead Time: 21 days Price List: Global Price List in US Dollars (USD) 0.00

Configuration Summary

Category	Qty	Extended List Price (USD)
Processor		
Memory		
Front MEZZ - Controller		
Rear MEZZ - MLOM/PCI		
Storage Drives		
SATA M.2		
NVMe Boot		
Security Options		
XSeries ComputeNode SW		
Total		0.00
Estimated Lead Time		21 days

Processor Options

SKU	Qty	Estimated Lead Time	Unit List Price (USD)
UCSX-CPU-A9654	Qty	182 days	0.00
UCSX-CPU-A9124	Qty	45 days	0.00
UCSX-CPU-A9224	Qty	45 days	0.00
UCSX-CPU-A9254	Qty	182 days	0.00
UCSX-CPU-A9334	Qty	182 days	0.00

Warnings:

- A selection from Infrastructure and Workload is required. Please adjust the selections. (CE200277)
- A selection of either UCSX-ML-V5Q50G-D or UCSX-MLV5D200GV2D from Rear MEZZ - MLOM/PCI is required. Please adjust the selections. (CE200096)
- UCSX-215C-M8-FRE quantity 1 requires a minimum quantity of 1 from Processor (CE100012)
- UCSX-215C-M8-FRE quantity 1 requires a minimum quantity of 1 from Security Options (CE100012)

Buttons: Cancel, Done

- Configure UCSX-215C-M8-FRE by selecting peripherals from category window on the left.
- PIDs are listed in the window on the right. Some PIDs like Memory and storage drives are grouped according to type or series; select from the grouped options located above SKU window on the right.
- Follow warning messages to configure the minimum required option PIDs.
- Click on “Done” when completed.

Step 15.

UCSX Modular Server

UCSX-215C-M8-FRE

CPU

Memory

Drives

Bundle Configuration: UCSX-M8-XCELERATE
 Estimated Lead Time: 182 days
 Price List: Global Price List (USD)
 560,658.88

Set service preferences for this configuration

1: FABRIC INTERCONNECT requires a minimum of 1 component(s). Please add additional quantities as necessary. (CE100010)
 2: The category FABRIC INTERCONNECT is required. (CE100103)
 3: CISCO INTERSIGHT requires a minimum of 1 component(s). Please add additional quantities as necessary. (CE100010)
 4: The category CISCO INTERSIGHT is required. (CE100103)
 5: Please note that you are using a promotional PID which is available ONLY IF qualified for the 'UCSX X-Series Xccelerate' Program. For details on the program, PIs review Sales Connect, contact your Cisco Account Manager or reach out to ask-ucsx@external.cisco.com. We encourage you NOT to book this PID if you do not qualify. (CE202322)

Available Components	Unit List Price (USD)
UCS 9500 CHASSIS	
UCSX MODULAR SERVER	
UCSX-215C-M8-U UCS X215c M8 Compute Node 2S 6 required Estimated Lead Time: 182 days	8,542.50
UCSX-215C-M8-FRE UCS X215c M8 R2L Free Compute Node 2S Estimated Lead Time: --	0.00
UCSX-440P-NEW-D UCS X-Series Gen4 PCIe node for Xccelerate Offer Estimated Lead Time: 21 days	0.03
FABRIC INTERCONNECT	
CISCO INTERSIGHT	

UCS 9500 CHASSIS > 1 Selected (Min 1, Max 99)	Unit List Price (USD)	Adjusted List Price (USD)	Qty	Extended List Price (USD)
UCSX-9508-NEW-D Valid Not sold standalone UCS 9508 Chassis w/o nodes		1,335.00	1	1,335.00

UCSX MODULAR SERVER > 8 Selected (Min 6, Max 84)	Unit List Price (USD)	Adjusted List Price (USD)	Qty	Extended List Price (USD)
UCSX-215C-M8-U Valid UCS X215c M8 Compute Node 2S		23,952.51	6	557,165.88
UCSX-215C-M8-FRE Valid UCS X215c M8 R2L Free Compute Node 2S		1,079.00	2	2,158.00

FABRIC INTERCONNECT > 0 Selected (Min 1, Max 2)

- Note Status is now showing as "Valid".
- Increase the quantity for multiples of same configuration.
- Click the "PLUS" to add and configure the same product with different option/quantities or select a different product.

Step 16.

UCSX Modular Server

↓

UCSX-215C-M8-FRE → **Services/Subscriptions**

Bundle Configuration: UCSX-M8-XCELERATE | Estimated Lead Time: 182 days | Price List: Global Price List (USD) | Total: 560,658.88

Get service preferences for this configuration

Warnings:

- FABRIC INTERCONNECT requires a minimum of 1 component(s). Please add additional quantities as necessary. (CE100010)
- The category FABRIC INTERCONNECT is required. (CE100103)
- CISCO INTERSIGHT requires a minimum of 1 component(s). Please add additional quantities as necessary. (CE100010)
- The category CISCO INTERSIGHT is required. (CE100103)
- Please note that you are using a promotional PID which is available ONLY IF qualified for the 'UCS X-Series Xcelerate' Program. For details on the program, Pls review Sales Connect, contact your Cisco Account Manager or reach out to ask-ucsx@external.cisco.com. We encourage you NOT to book this PID if you do not qualify. Order will be on hold after booking to check for eligibility. (CE202322)

Available Components	Unit List Price (USD)
UCS 9500 CHASSIS	
UCSX MODULAR SERVER	
UCSX-215C-M8-U UCS X215c M8 Compute Node 2S 6 required Estimated Lead Time: 182 days	8,542.50
UCSX-215C-M8-FRE UCS X215c M8 R2L Free Compute Node 2S Estimated Lead Time: --	0.00
UCSX-440P-NEW-D UCS X-Series Gen4 PCIe node for Xcelerate Offer Estimated Lead Time: 21 days	0.03
FABRIC INTERCONNECT	
CISCO INTERSIGHT	

Product	Unit List Price (USD)	Adjusted List Price (USD)	Qty	Extended List Price (USD)
UCS 9500 CHASSIS > 1 Selected (Min 1, Max 99)				
UCSX-9508-NEW-D Not sold standalone UCS 9508 Chassis w/o nodes		1,335.00	1	1,335.00
UCSX MODULAR SERVER > 8 Selected (Min 6, Max 84)				
UCSX-215C-M8-U UCS X215c M8 Compute Node 2S		23,952.51	6	557,165.88
UCSX-215C-M8-FRE UCS X215c M8 R2L Free Compute Node 2S		1,079.00	2	2,158.00

a. Click on “Edit Services/Subscriptions” to edit Term Duration for HW Support.

Note: It is recommended that Term Duration for HW Support must align with Software Subscription Duration.

Step 17.

UCSX Modular Server

UCSX-215C-M8-FRE

➔

Services/Subscriptions

Service Subscription UCSX-215C-M8-FRE	Price List Global Price List in US Dollars (USD)	Service Total (USD) 3,237.00	Subscription Total (USD) 0.00
--	---	---------------------------------	----------------------------------

i You may receive additional discounts because you selected two or more years of service. To review your discounts you can go to the Order or Quoting discount pages. (C0124)

⚠ The duration that you entered has been successfully applied to all the services. (C0329)

Service Options

Choose Service Level from: All Service Programs

Search by Name & Description

Note: Cisco may still install another compatible service if required. Compatible services are the services that come with primary service and are based on products.

Time Duration

Duration

Delay service start to

Co-Term service to

Duration

Reset Apply

Service SKU	Product SKU	Unit List Price (USD)	Qty	Total List Price (USD)
Cisco Customer Experience Level 1 (1 ITEM) <small>SERVICE PROGRAM</small>	L1NCO (CX LEVEL 1 8X7XNCDOS) <small>SUMMARY</small>			
CON-L1NCO-UCSX2FRE CX LEVEL 1 8X7XNCDOS UCS X215c M8 R2L Free C... <small>SERVICE SKU</small>		3,237.00	1	3,237.00
UCSX-215C-M8-FRE UCS X215c M8 R2L Free Compute Node 2S <small>PRODUCT SKU</small>			1	

Remove All Services
Remove All Additional Services

Configuration Summary All prices shown in USD
Services

Cancel
Done

- a. Enter the Term Duration.
- b. Click on “Apply” and “Done”

Step 18.

UCSX Refuse to Lose M8 Offer

PAID vs Free Server Node QTY Ratio

PAID Node (UCSX-215C-M8-U)	Free Node (UCSX-215C-M8-FRE)	Free Chassis (UCSX-9508-NEW-D)	Additional Chassis (UCSX-9508-D=)	Free Fabric Interconnect (UCSX-FI-6536-NEW-D/ UCSX-FI-6454-NEW-D)
Min QTY Required	QTY Allowed	QTY Allowed	Required (Y/N)	QTY Allowed
6	2	1	N	2
9	3	1	Y	
12	4	2	N	
15	5	2	Y	
18	6	3	N	
21	7	3	Y	
24	8	3	Y	
27	9	4	Y	
30	10	4	Y	

Step 19.

UCSX Modular Server

UCSX-440P-NEW-D → GPU
PCIe Riser

Bundle Configuration
UCSX-M8-XCELERATE
Estimated Lead Time: 182 days
Global Price List (USD)

Set service preferences for this configuration

1: FABRIC INTERCONNECT requires a minimum of 1 component(s). Please add additional quantities as necessary. (CE100010)
 2: The category FABRIC INTERCONNECT is required. (CE100103)
 3: CISCO INTERSIGHT requires a minimum of 1 component(s). Please add additional quantities as necessary. (CE100010)
 4: The category CISCO INTERSIGHT is required. (CE100103)
 5: Please note that you are using a promotional PID which is available ONLY IF qualified for the 'UCSX X-Series Xcelerate' Program. For details on the program, Pls review Sales Connect, contact your Cisco Account Manager or reach out to ask-ucsx@external.cisco.com. We encourage you NOT to book this PID if you do not qualify. Order will be on hold after booking to check for eligibility. (CE202322)
 6: Please note that each UCSX-440P-NEW-D requires minimum 6 Servers. You can increase number of Servers up to the number of Chassis quantity listed in the summary. Please consider the license for the CPU of Server to be added.

UCSX-440P-NEW-D has been added to the bundle category UCSX MODULAR SERVER.

Available Components	Unit List Price (USD)
UCS 9500 CHASSIS	
UCSX MODULAR SERVER	
UCSX-215C-M8-U UCS X215c M8 Compute Node 2S 6 required Estimated Lead Time: 182 days	8,542.50
UCSX-215C-M8-FRE UCS X215c M8 R2L Free Compute Node 2S Estimated Lead Time: --	0.00
UCSX-440P-NEW-D UCS X-Series Gen4 PCIe node for XCellerate Offer Estimated Lead Time: 21 days	0.03
FABRIC INTERCONNECT	
CISCO INTERSIGHT	

Product	Unit List Price (USD)	Adjusted List Price (USD)	Qty	Extended List Price (USD)
UCSX-9508-NEW-D Not sold standalone UCS 9508 Chassis w/o nodes		1,335.00	1	1,335.00
UCSX-215C-M8-U UCS X215c M8 Compute Node 2S		23,952.51	6	557,165.88
UCSX-215C-M8-FRE UCS X215c M8 R2L Free Compute Node 2S		3,237.00	2	6,474.00
UCSX-440P-NEW-D UCS X-Series Gen4 PCIe node for XCellerate Offer		0.03	1	0.03

- Select UCSX-440P-NEW-D ATO from under MLB by clicking the “PLUS”.
- Notice the UCSX-440P-NEW-D ATO Status is invalid as further configuration needed
- Click on “Select Options” to enter the configurator.

Step 20.

The screenshot shows the configuration page for UCSX-440P-NEW-D. At the top, a diagram shows 'UCSX-440P-NEW-D' connected to 'GPU' and 'PCIe Riser'. The main interface includes a 'Configuration Summary' table with a 'GPU Options' section highlighted by a red arrow 'a'. Below this is a table of GPU options with columns for SKU, Qty, Estimated Lead Time, and Unit List Price (USD). A red arrow 'b' points to the 'Done' button in the bottom right corner of the configuration area.

SKU	Qty	Estimated Lead Time	Unit List Price (USD)
UCSX-GPU-A16-D NVIDIA A16 PCIe 250W 4X16GB, wPWR CBL	2	42 days	10,291.10
UCSX-GPU-A40-D TESLA A40 RTX, PASSIVE, 300W, 48GB, wPWR CBL	2	42 days	16,536.73
UCSX-GPU-A100-80-D TESLA A100, PASSIVE, 300W, 80GB, wPWR CBL	2	42 days	56,280.00
UCSX-GPU-L4 NVIDIA L4 Tensor Core, 70W, 24GB	4	42 days	10,854.00
UCSX-GPU-L40 NVIDIA L40 300W, 48GB wPWR CBL	2	42 days	29,898.75
UCSX-GPU-L40S NVIDIA L40S: 350W, 48GB, 2-slot FHFL GPU	2	42 days	39,094.50
UCSX-GPU-H100-80 NVIDIA H100: 350W, 80GB, 2-slot FHFL GPU	2	21 days	99,696.00
UCSX-GPU-FLEX140 Intel GPU Flex 140, Gen4x8, HHR, 75W PCIe	4	42 days	8,589.74
UCSX-GPU-FLEX170 Intel GPU Flex 170, Gen4x16, HHR, 150W PCIe	2	42 days	10,150.50
UCSX-GPU-H100-NVL NVIDIA H100 NVL, 400W, 94GB, 2-slot FHFL GPU	Qty	129 days	99,696.00

- Configure GPU PCIe Node: UCSX-440P-NEW-D by selecting GPU and appropriate Riser will get auto expand.
- Click on “Done”

Note:

- Must select X-Fabric Module: UCSX-F-9416-D under Chassis: UCSX-9508-NEW-D and/or UCSX-9508-D=.
- QTY of UCSX-440P-NEW-D must be less than or equal to UCSX-215C-M8-U and UCSX-215C-M8-FRE.

Step 21.

UCSX Modular Server

UCSX-440P-NEW-D → **GPU**
PCIe Riser

Bundle Configuration: UCSX-M8-XCELERATE
Estimated Lead Time: 182 days
Price: Global Price List (USD)

Set service preferences for this configuration

1: FABRIC INTERCONNECT requires a minimum of 1 component(s). Please add additional quantities as necessary. (CE100010)
2: The category FABRIC INTERCONNECT is required. (CE100103)
3: CISCO INTERSIGHT requires a minimum of 1 component(s). Please add additional quantities as necessary. (CE100010)
4: The category CISCO INTERSIGHT is required. (CE100103)
5: Please note that you are using a promotional PID which is available ONLY IF qualified for the 'UCS X-Series Xcelerate' Program. For details on the program, Pls review Sales Connect, contact your Cisco Account Manager or reach out to ask-ucsx@external.cisco.com. We encourage you NOT to book this PID if you do not qualify. Order will be on hold after booking to check for eligibility. (CE202322)

Available Components	Unit List Price (USD)
UCS 9500 CHASSIS	
UCSX MODULAR SERVER	
UCSX-215C-M8-U UCS X215c M8 Compute Node 2S 6 required Estimated Lead Time: 182 days	8,542.50
UCSX-215C-M8-FRE UCS X215c M8 R2L Free Compute Node 2S Estimated Lead Time: --	0.00
UCSX-440P-NEW-D UCS X-Series Gen4 PCIe node for Xcelerate Offer Estimated Lead Time: 21 days	0.03
FABRIC INTERCONNECT	
CISCO INTERSIGHT	

Product	Unit List Price (USD)	Adjusted List Price (USD)	Qty	Extended List Price (USD)
UCSX-9508-NEW-D Valid Not sold standalone UCS 9508 Chassis w/o nodes		1,335.00	1	1,335.00
Add a UCS 9500 CHASSIS from the left panel				
Product	Unit List Price (USD)	Adjusted List Price (USD)	Qty	Extended List Price (USD)
UCSX-215C-M8-U Valid UCS X215c M8 Compute Node 2S		23,952.51	6	557,165.88
UCSX-215C-M8-FRE Valid UCS X215c M8 R2L Free Compute Node 2S		3,237.00	2	6,474.00
UCSX-440P-NEW-D Valid UCS X-Series Gen4 PCIe node for Xcelerate Offer		99,696.03	1	99,696.03

- Note Status is now showing as Valid.
- Increase the quantity for multiples of same configuration.
- Click on the “Plus” to add and configure the same product with different option/quantities or select a different product.

Step 22.

Fabric Interconnect

UCSX-FI-6536-NEW-D

Software Image
Software License
Power Supply

Available Components	Unit List Price (USD)
UCS 9500 CHASSIS	
UCSX MODULAR SERVER	
FABRIC INTERCONNECT	
UCSX-FI-6536-NEW-D XCellerate offer for Fabric Interconnect 6536 for IMM Estimated Lead Time: 21 days	0.03
UCSX-FI-6454-NEW-D XCellerate offer for Fabric Interconnect 6454 Estimated Lead Time: 21 days	0.00
OPT-OUT Opt Out Estimated Lead Time: 7 days	0.00
CISCO INTERSIGHT	

UCS 9500 CHASSIS > 1 Selected (Min 1, Max 99)				
Product	Unit List Price (USD)	Adjusted List Price (USD)	Qty	Extended List Price (USD)
UCSX-9508-NEW-D Valid Not sold standalone UCS 9508 Chassis w/o nodes Add Custom Name Edit Options Edit Services/Subscriptions Remove Line	1,335.00		1	1,335.00

UCSX MODULAR SERVER > 9 Selected (Min 6, Max 84)				
Product	Unit List Price (USD)	Adjusted List Price (USD)	Qty	Extended List Price (USD)
UCSX-215C-M8-U Valid UCS X215c M8 Compute Node 2S Add Custom Name Edit Options Edit Services/Subscriptions Remove Line	23,952.51		6	557,165.88
UCSX-215C-M8-FRE Valid UCS X215c M8 R2L Free Compute Node 2S Add Custom Name Edit Options Edit Services/Subscriptions Remove Line	3,237.00		2	6,474.00
UCSX-440P-NEW-D Valid UCS X-Series Gen4 PCIe node for XCellerate Offer Add Custom Name Edit Options Remove Line	99,696.03		1	99,696.03

FABRIC INTERCONNECT > 2 Selected (Min 1, Max 2)				
Product	Unit List Price (USD)	Adjusted List Price (USD)	Qty	Extended List Price (USD)
UCSX-FI-6536-NEW-D Invalid XCellerate offer for Fabric Interconnect 6536 for IMM Add Custom Name Edit Options Edit Services/Subscriptions Remove Line	11,093.03		2	22,186.06

CISCO INTERSIGHT > 0 Selected (Min 1, Max 1)				
Product	Unit List Price (USD)	Adjusted List Price (USD)	Qty	Extended List Price (USD)

- a. Select UCSX-FI-6536-NEW-D ATO with 2 QTY under MLB by clicking the “Plus”
- b. Notice the UCSX-FI-6536-NEW-D ATO Status is invalid as further configuration needed
- c. Click on “Edit Options” to enter the configurator.

Step 23.

Fabric Interconnect

UCSX-FI-6536-NEW-D

Software Image
Software License
Power Supply

Product Configuration: UCSX-FI-6536-NEW-D part of UCSX-M9-XCELERATE | Estimated Lead Time: 21 days | Price List: Global Price List in U.S.

⚠️ 1: Please note that this order will be placed on a Compliance Hold. Please reach out to sac-support@cisco.com to check if this order meets eligibility criteria for hold removal. Note that the order will remain on compliance hold if you do not reach out to sac-support@cisco.com to request eligibility check. (CE202322)

2: Please note that due to lead time issues we have decided to remove some of the low selling optics PIDs from the FI bundle. This PIDs are still orderable as spare. Complete list of optics and cable PID is available in the product spec sheet. (CE202322)

3: UCS-FI-6500-SW is defaulted under Software License. (CE100033)

Configuration Summary [View Full Summary](#)

Category	Qty	Extended List Price (USD)
Software Image		
N10-MGT018-D	1	0.00
Software License		
UCS-FI-6500-SW	1	9,045.00
Power Supply		
UCS-PSU-6536-AC-D	2	0.00
Power Cable		
Transceiver and Cable		
QSFP Cable		
Total		9,045.03
Estimated Lead Time		21 days

UCSX-FI-6536-NEW-D > Power Cable

Power Cable

SKU	Qty	Estimated Lead Time	Unit List Price (USD)
<input type="radio"/> NO-POWER-CORD ECO friendly green option, no power cable will be shipped More	2	3 days	0.00
<input type="radio"/> CAB-C13-C14-3M-IN Power Cord Jumper, C13-C14 Connectors, 3 Meter Length, India More	2	91 days	0.00
<input type="radio"/> CAB-C13-C14-2M Power Cord Jumper, C13-C14 Connectors, 2 Meter Length	2	35 days	0.00
<input type="radio"/> CAB-C13-C14-AC Power cord, C13 to C14 (recessed receptacle), 10A	2	7 days	0.00
<input type="radio"/> CAB-C13-C14-IN Power Cord Jumper, C13-C14 Connectors, 1.4 Meter Length India More	2	28 days	0.00

Reset Configuration | Cancel | Done

- Configure UCSX-FI-6536-NEW-D by selecting peripherals from window on the left. Software Image, Software License and Power Supply are default selection.
- PIDs are listed in the window on the right. Please make selection of Power Cable.
- Transceiver Cable and QSFP Cables are Optional selection.
- Click on “Done” when completed

Step 24.

Fabric Interconnect

UCSX-FI-6536-NEW-D

Software Image

Software License

Power Supply

Available Components	Unit List Price (USD)
UCS 9500 CHASSIS	
UCSX MODULAR SERVER	
FABRIC INTERCONNECT	
UCSX-FI-6536-NEW-D XCellerate offer for Fabric Interconnect 6536 for IMM Estimated Lead Time: 21 days	0.03
UCSX-FI-6454-NEW-D XCellerate offer for Fabric Interconnect 6454 Estimated Lead Time: 21 days	0.00
OPT-OUT Opt Out Estimated Lead Time: 7 days	0.00
CISCO INTERSIGHT	

Product	Unit List Price (USD)	Adjusted List Price (USD)	Qty	Extended List Price (USD)
UCSX-9508-NEW-D Valid		1,335.00	1	1,335.00
Not sold standalone UCS 9508 Chassis w/o nodes				
Add Custom Name Edit Options Edit Services/Subscriptions Remove Line				
Add a UCS 9500 CHASSIS from the left panel				
Product	Unit List Price (USD)	Adjusted List Price (USD)	Qty	Extended List Price (USD)
UCSX-215C-M8-U Valid		23,952.51	6	557,165.88
UCS X215c M8 Compute Node 2S				
Add Custom Name Edit Options Edit Services/Subscriptions Remove Line				
UCSX-215C-M8-FRE Valid		3,237.00	2	6,474.00
UCS X215c M8 R2L Free Compute Node 2S				
Add Custom Name Edit Options Edit Services/Subscriptions Remove Line				
UCSX-440P-NEW-D Valid		99,696.03	1	99,696.03
UCS X-Series Gen4 PCIe node for XCellerate Offer				
Add Custom Name Edit Options Remove Line				
Add a UCSX MODULAR SERVER from the left panel				
Product	Unit List Price (USD)	Adjusted List Price (USD)	Qty	Extended List Price (USD)
UCSX-FI-6536-NEW-D Valid a		11,093.03	2	22,186.06
XCellerate offer for Fabric Interconnect 6536 for IMM				
Add Custom Name Edit Options Edit Services/Subscriptions Remove Line				
CISCO INTERSIGHT > 0 Selected (Min 1, Max 1)				

a. Note Status is now showing as Valid.

Step 25.

Fabric Interconnect

UCSX-FI-6536-NEW-D

Services/Subscriptions

Available Components	Unit List Price (USD)
UCS 9500 CHASSIS	
UCSX MODULAR SERVER	
FABRIC INTERCONNECT	
UCSX-FI-6536-NEW-D XCellerate offer for Fabric Interconnect 6536 for IMM Estimated Lead Time: 21 days	0.03
UCSX-FI-6454-NEW-D XCellerate offer for Fabric Interconnect 6454 Estimated Lead Time: 21 days	0.00
OPT-OUT Opt Out Estimated Lead Time: 7 days	0.00
CISCO INTERSIGHT	

Product	Unit List Price (USD)	Adjusted List Price (USD)	Qty	Extended List Price (USD)
UCSX-9508-NEW-D Valid		1,335.00	1	1,335.00
Not sold standalone UCS 9508 Chassis w/o nodes				
Add Custom Name Edit Options Edit Services/Subscriptions Remove Line				
Add a UCS 9500 CHASSIS from the left panel				
Product	Unit List Price (USD)	Adjusted List Price (USD)	Qty	Extended List Price (USD)
UCSX-215C-M8-U Valid		23,952.51	6	557,165.88
UCS X215c M8 Compute Node 2S				
Add Custom Name Edit Options Edit Services/Subscriptions Remove Line				
UCSX-215C-M8-FRE Valid		3,237.00	2	6,474.00
UCS X215c M8 R2L Free Compute Node 2S				
Add Custom Name Edit Options Edit Services/Subscriptions Remove Line				
UCSX-440P-NEW-D Valid		99,696.03	1	99,696.03
UCS X-Series Gen4 PCIe node for XCellerate Offer				
Add Custom Name Edit Options Remove Line				
Add a UCSX MODULAR SERVER from the left panel				
Product	Unit List Price (USD)	Adjusted List Price (USD)	Qty	Extended List Price (USD)
UCSX-FI-6536-NEW-D Valid a		11,093.03	2	22,186.06
XCellerate offer for Fabric Interconnect 6536 for IMM				
Add Custom Name Edit Options Edit Services/Subscriptions Remove Line				
CISCO INTERSIGHT > 0 Selected (Min 1, Max 1)				

- a. Click on “Edit Services/Subscriptions” to edit Term Duration for HW Support.

Note: It is recommended that Term Duration for HW Support must align with Software Subscription Duration.

Step 26.

Fabric Interconnect

UCSX-FI-6536-NEW-D → **Services/Subscriptions**

Service Subscription	Price List	Service Total (USD)	Subscription Total (USD)
UCSX-FI-6536-NEW-D	Global Price List in US Dollars (USD)	6,144.00	0.00

Service Options

Choose Service Level from: All Service Programs

Time Duration: Duration, Delay service start to, Co-Term service to

Duration:

Buttons:

Service SKU	Product SKU	Unit List Price (USD)	Qty	Total List Price (USD)
Cisco Customer Experience Level 1 (1 ITEM)	L1NCO (CX LEVEL 1 8X7XNCDOS)			
CON-L1NCO-UCSXWFI6	UCSX-FI-6536-NEW-D	6,144.00	1	6,144.00

Buttons:

Configuration Summary | All prices shown |

- a. Enter the Term Duration
- b. Click on “Apply” and “Done”

Step 27.

The screenshot displays a configuration interface with the following components:

- Available Components (Left Panel):**
 - UCS 9500 CHASSIS
 - UCSX MODULAR SERVER
 - FABRIC INTERCONNECT
 - CISCO INTERSIGHT
 - DC-MGT-SAAS (Cisco Intersight SaaS) - Price: 0.00
 - CNDL-DESELECT-D** (Conditional Deselect, Estimated Lead Time: 7 days) - Price: 0.00
- Configuration Summary (Main Panel):**
 - UCS 9500 CHASSIS > 1 Selected (Min 1, Max 99)**

Product	Unit List Price (USD)	Adjusted List Price (USD)	Qty	Extended List Price (USD)
UCSX-9508-NEW-D (Valid)		1,335.00	1	1,335.00
 - UCSX MODULAR SERVER > 9 Selected (Min 6, Max 84)**

Product	Unit List Price (USD)	Adjusted List Price (USD)	Qty	Extended List Price (USD)
UCSX-215C-M8-U (Valid)		23,952.51	6	557,165.88
UCSX-215C-M8-FRE (Valid)		3,237.00	2	6,474.00
UCSX-440P-NEW-D (Valid)		99,696.03	1	99,696.03
 - FABRIC INTERCONNECT > 2 Selected (Min 1, Max 2)**

Product	Unit List Price (USD)	Adjusted List Price (USD)	Qty	Extended List Price (USD)
UCSX-FI-6536-NEW-D (Valid)		15,189.03	2	30,378.06
 - CISCO INTERSIGHT > 1 Selected (Min 1, Max 1)**

Product	Unit List Price (USD)	Adjusted List Price (USD)	Qty	Extended List Price (USD)
CNDL-DESELECT-D (Conditional Deselect)		0.00	1	0.00

- CNDL-DESELECT-D** is meant to select only if Customer has already purchased Cisco Intersight License via EA Contract or order is for Disti Fulfillment.
- Please note that Intersight is required selection and needed for the M8 Server to function. All orders with CNDL-DESELECT-D will be manually reviewed for Compliance.

Step 28.

Cisco Intersight

↓

CNDL-DESELECT-D

Product Configuration: CNDL-DESELECT-D part of UCSX-M8-XCELERATE Estimated Lead Time: 7 days Price List: Global Price List in US Dollars (USD) 0.00

Configuration Summary [View Full Summary](#)

Category	Qty	Extended List Price (USD)
Reason Codes		
OPTOUT-EA-ONLY	1	0.00

Total 0.00
Estimated Lead Time 7 days

[Reset Configuration](#) [Cancel](#) [Done](#)

Option Search | Multiple Options Search

CNDL-DESELECT-D > Reason Codes

Reason Codes

SKU	Qty	Estimated Lead Time	Unit List Price (USD)
<input type="radio"/> OPTOUT-DISTI-ONLY For Distri when ordering mandatory licenses separately	1	3 days	0.00
<input checked="" type="radio"/> OPTOUT-EA-ONLY License not needed: Customer already owns Licenses in an EA	1	3 days	0.00
<input type="radio"/> OPTOUT-ENTL-SWAP License not needed: Entitlements updated in Smart Account. More	1	3 days	0.00

[Clear Selection](#) | [Show Incompatible SKUs](#)

a. Please select appropriate Reason Code

Step 29.

Bundle Configuration: UCS-MB-XCELERATE
 Estimated Lead Time: 182 days
 Price List: Global Price List (USD)
 Total: 695,048.97

Get service preferences for this configuration

1: Please note that you are using a promotional PID which is available ONLY IF qualified for the UCS X-Series Xccelerate Program. For details on the program, pls review Sales Connect, contact your Cisco Account Manager or reach out to ask-ucsx@external.cisco.com. We encourage you NOT to book this PID if you do not qualify. Order will be on hold after booking to check for eligibility. (CE202322)
 2: Please note that Intersight is required selection and needed for the M8 Server to function. All orders with CNDL-DESELECT-D will be manually reviewed for Compliance. (CE202322)
 3: Please note that each UCSX 9508 Chassis can consume maximum 8 Servers. You have more number of Servers selected than number of Chassis currently selected can consume. Please consider either increasing the QTY of Servers to get more Free Chassis or select Additional Spare Chassis. UCSX-9508-D. (CE202322)
 4: Please note that this order will be placed on a Compliance Hold. Please reach out to sac-support@csco.com to check if this order meets eligibility criteria for hold removal. Note that the order will remain on compliance hold if you do not reach out to sac-support@csco.com to request eligibility check. (CE202322)

Available Components

Product	Unit List Price (USD)	Adjusted List Price (USD)	Qty	Extended List Price (USD)
UCS 9500 CHASSIS	0.00	1,335.00	1	1,335.00
UCSX 440P-NEW-D	8,530.96	23,952.51	6	597,165.88
UCSX 215C-MB-FRE		3,237.00	2	6,474.00
UCSX 215C-MB-NEW-D		99,696.03	1	99,696.03
FABRIC INTERCONNECT		15,189.03	2	30,378.06
CISCO INTERSIGHT		0.00	1	0.00

- Configuration for MLB is completed when status of each Product is Valid and warning messages are cleared.
- Click on the “PLUS” to expand and view the selections made for each Product.
- Click on the “DONE” to complete the MLB Configuration.

Buy Method Through Distributor (Eg: Direct Customer & Tier 1 Partners)

Scenario 1: Customer Without Enterprise Agreement for Cisco Intersight Software License

Step 1.



← a
[← Import Saved Configuration]
🔍
💡
📱
👛
Estimate Preferences ▾
⋮

Lines View ☰
Apply Success Track
Manage Groups
Remove Selected Lines
More Actions ▾
Zero List Price Items
Hide
Show
🔍 Search Estimate Line Items
⋮

<input type="checkbox"/>	<input type="checkbox"/> Hardware, Software and Services	Estimated Lead Time (Days)	Unit List Price (USD)	Qty	Unit Net Price (USD)	Discounts (%)	Extended Net Price (USD)
<input type="checkbox"/>	1.0 UCSX-M8-XCELERATE ⚠️ Invalid as of 07-Aug-2024 03:51:35 PDT UCS-X M8 Xccelerate Offer - Subject to approval	Not Applicable	0.00	1	0.00	0.00	0.00

b → [Select Options](#)
[Validate](#)
[Recommended Content](#)
[Add Note](#)
[Add Subtotal](#)
[Copy](#)
[Remove Line](#)

- a. In CCW, search for MLB PID and click on “Add”
- b. Click on “Select Options” to enter the configurator.

Step 2.

UCS 9500 Chassis

UCSX-9508-NEW-D

IFM

Power Supply

Power Cable

Bundle Configuration: UCSX-M8-XCELERATE
Estimated Lead Time: 182 days
Global Price: \$1,174.00

Set service preferences for this configuration

1: FABRIC INTERCONNECT requires a minimum of 1 component(s). Please add additional quantities as necessary. (CE100010)
2: The category FABRIC INTERCONNECT is required. (CE100103)
3: CISCO INTERSIGHT requires a minimum of 1 component(s). Please add additional quantities as necessary. (CE100010)
4: The category CISCO INTERSIGHT is required. (CE100103)
5: Please note that you are using a promotional PID which is available ONLY IF qualified for the 'UCS X-Series Xccelerate' Program. For details on the program, Pls review Sales Connect, contact your Cisco Account Manager or reach out to ask-ucsx@external.cisco.com. We encourage you NOT to book this PID if you do not qualify. Order will be on hold after booking to check for eligibility. (CE202322)

Product	Unit List Price (USD)	Adjusted List Price (USD)	Qty	Extended List Price (USD)
UCSX-9508-NEW-D Not sold standalone UCS 9508 Chassis w/o nodes	0.00	445.00	1	445.00
UCSX-9508-D= UCS 9508 Chassis	8,530.96			
UCSX-215C-M8-U UCS X215c M8 Compute Node 2S	9,621.50	9,621.50	6	57,729.00

- UCSX-9508-NEW-D ATO is preselected with 1 QTY under MLB and can be selected up to 4 QTY.
- Notice the UCSX-9508-NEW-D ATO Status is invalid as further configuration needed
- Click on "Edit Options" to enter the configurator.

Step 3.

UCS 9500 Chassis

UCSX-9508-NEW-D → IFM
Power Supply
Power Cable

Product Configuration: UCSX-9508-NEW-D part of UCSX-M8-XCCFL/GRATE Estimated Lead Time: 21 days Price List: Global Total (USD): 0.00

Warnings:

- 1: The quantity of Power Cable must be equal to the quantity of Power Supply selected. Please adjust the quantity. (CE200050)
- 2: Please note that this order will be placed on a Compliance Hold. Please reach out to sac-support@cisco.com to check if this order meets eligibility criteria for hold removal. Note that the order will remain on compliance hold if you do not reach out to sac-support@cisco.com to request eligibility check. (CE202322)
- 3: Use Power Calculator to determine the correct power supply. The Power Calculator can be found at <http://ucspowercalc.cisco.com>. (CE200696)
- 4: UCSX-9508-NEW-D quantity 1 requires a minimum quantity of 2 from Intelligent Fabric Module (CE100012)

Configuration Summary

Category	Qty	Extended List Price (USD)
Intelligent Fabric Module		
Power		
UCSX-PSU-2800AC-D	6	0.00
X-Fabric Module		
Accessory		
UCSX-C-DEBUGCBL-D	1	0.00
UCSX SW		
UCSX-CHASSIS-SW-D	1	0.00
Chassis Expansion		
Total		0.00
Estimated Lead Time		21 days

Intelligent Fabric Module

SKU	Qty	Estimated Lead Time	Unit List Price (USD)
<input type="radio"/> UCSX-I-9108-25G-D UCS 9108-25G IFM for 9508 Chassis	2	21 days	0.00
<input type="radio"/> UCSX-I9108-100G-D UCS 9108-100G IFM for 9508 Chassis	2	21 days	0.00

Buttons: Reset Configuration, Cancel, Done

- Configure UCSX-9508-NEW-D by selecting Intelligent Fabric Module, X-Fabric Module (if UCSX-440P-NEW-D is required) and Power Cables from category window on the left.
- Follow warning messages to configure the minimum required selections under Chassis.
- Click on “Done”

Step 4.

UCS 9500 Chassis

UCSX-9508-NEW-D

IFM

Power Supply

Power Cable

Bundle Configuration: UCSX-M8-XCELERATE
Estimated Lead Time: 182 days
Price List: Global Price List (USD)

Set service preferences for this configuration

1: FABRIC INTERCONNECT requires a minimum of 1 component(s). Please add additional quantities as necessary. (CE100010)
2: The category FABRIC INTERCONNECT is required. (CE100103)
3: CISCO INTERSIGHT requires a minimum of 1 component(s). Please add additional quantities as necessary. (CE100010)
4: The category CISCO INTERSIGHT is required. (CE100103)
5: Please note that you are using a promotional PID which is available ONLY IF qualified for the 'UCS X-Series Xcelerate' Program. For details on the program, Pls review Sales Connect, contact your Cisco Account Manager or reach out to ask-ucsx@external.cisco.com. We encourage you NOT to book this PID if you do not qualify. Order will be on hold after booking to check for eligibility. (CE202322)

Available Components	Unit List Price (USD)	Product	Unit List Price (USD)	Adjusted List Price (USD)	Qty	Extended List Price (USD)
UCS 9500 CHASSIS		UCSX-9508-NEW-D Valid		445.00	1	445.00
UCSX-9508-NEW-D Not sold standalone UCS 9508 Chassis w/o nodes 1 required	0.00	UCSX-215C-M8-U Invalid		9,621.50	6	57,729.00
UCSX-9508-D+ UCS 9508 Chassis	8,530.96					
UCSX MODULAR SERVER						
FABRIC INTERCONNECT						
CISCO INTERSIGHT						

- Note Status is now showing as Valid.
- Increase the quantity for multiples of same configuration.
- Click the “PLUS” to add and configure the same product with different option/quantities.

Step 5.

UCS 9500 Chassis

UCSX-9508-NEW-D

➔

Services/Subscriptions

Bundle Configuration UCSX-M8-XCELERATE	Estimated Lead Time 182 days	Price List Global Price List (USD)	Total 58,174.00
---	---------------------------------	---------------------------------------	--------------------

Set service preferences for this configuration Cancel Done

⚠️ 1: FABRIC INTERCONNECT requires a minimum of 1 component(s). Please add additional quantities as necessary. (CE100010)

2: The category FABRIC INTERCONNECT is required. (CE100103)

3: CISCO INTERSIGHT requires a minimum of 1 component(s). Please add additional quantities as necessary. (CE100010)

4: The category CISCO INTERSIGHT is required. (CE100103)

5: Please note that you are using a promotional PID which is available ONLY IF qualified for the 'UCS X-Series Xcelerate' Program. For details on the program. Pls review Sales Connect, contact your Cisco Account Manager or reach out to ask-ucsx@external.cisco.com. We encourage you NOT to book this PID if you do not qualify. Order will be on hold after booking to check for eligibility. (CE202322)

Available Components	Unit List Price (USD)	UCS 9500 CHASSIS > 1 Selected (Min 1, Max 99)											
<div style="background-color: #e0e0e0; padding: 2px; margin-bottom: 5px;">UCS 9500 CHASSIS</div> <div style="border: 1px solid #ccc; padding: 2px; margin-bottom: 5px;"> <div style="display: flex; justify-content: space-between;"> UCSX-9508-NEW-D 0.00 </div> <div style="font-size: 0.8em;">Not sold standalone UCS 9508 Chassis w/o nodes 1 requi</div> <div style="color: red; font-weight: bold; font-size: 0.8em;">red</div> <div style="display: flex; justify-content: space-between; align-items: center;"> Estimated Lead Time: 21 days + </div> </div> <div style="border: 1px solid #ccc; padding: 2px;"> <div style="display: flex; justify-content: space-between;"> UCSX-9508-D# 8,530.96 </div> <div style="font-size: 0.8em;">UCS 9508 Chassis</div> <div style="display: flex; justify-content: space-between; align-items: center;"> Estimated Lead Time: 21 days + </div> </div>		<table style="width: 100%; border-collapse: collapse; font-size: 0.8em;"> <thead> <tr> <th style="width: 40%;">Product</th> <th style="width: 15%;">Unit List Price (USD)</th> <th style="width: 15%;">Adjusted List Price (USD)</th> <th style="width: 10%;">Qty</th> <th style="width: 20%;">Extended List Price (USD)</th> </tr> </thead> <tbody> <tr> <td style="border: 1px solid #ccc; padding: 2px;"> <div style="display: flex; align-items: center;"> + UCSX-9508-NEW-D Valid ⚠️ </div> <div style="font-size: 0.7em; margin-top: 2px;">Not sold standalone UCS 9508 Chassis w/o nodes</div> <div style="display: flex; justify-content: space-between; align-items: center; margin-top: 2px;"> Add Custom Name Edit Options Edit Services/Subscriptions Remove Line </div> </td> <td style="text-align: right;">445.00</td> <td style="text-align: right;">445.00</td> <td style="text-align: center;">1</td> <td style="text-align: right;">445.00</td> </tr> </tbody> </table> <p style="font-size: 0.7em; margin-top: 5px; text-align: center;">Add a UCS 9500 CHASSIS from the left panel</p>	Product	Unit List Price (USD)	Adjusted List Price (USD)	Qty	Extended List Price (USD)	<div style="display: flex; align-items: center;"> + UCSX-9508-NEW-D Valid ⚠️ </div> <div style="font-size: 0.7em; margin-top: 2px;">Not sold standalone UCS 9508 Chassis w/o nodes</div> <div style="display: flex; justify-content: space-between; align-items: center; margin-top: 2px;"> Add Custom Name Edit Options Edit Services/Subscriptions Remove Line </div>	445.00	445.00	1	445.00	
Product	Unit List Price (USD)	Adjusted List Price (USD)	Qty	Extended List Price (USD)									
<div style="display: flex; align-items: center;"> + UCSX-9508-NEW-D Valid ⚠️ </div> <div style="font-size: 0.7em; margin-top: 2px;">Not sold standalone UCS 9508 Chassis w/o nodes</div> <div style="display: flex; justify-content: space-between; align-items: center; margin-top: 2px;"> Add Custom Name Edit Options Edit Services/Subscriptions Remove Line </div>	445.00	445.00	1	445.00									
<div style="background-color: #e0e0e0; padding: 2px; margin-bottom: 5px;">UCSX MODULAR SERVER</div> <div style="border: 1px solid #ccc; padding: 2px; margin-bottom: 5px;"> <div style="display: flex; justify-content: space-between;"> FABRIC INTERCONNECT </div> </div> <div style="border: 1px solid #ccc; padding: 2px;"> <div style="display: flex; justify-content: space-between;"> CISCO INTERSIGHT </div> </div>		<table style="width: 100%; border-collapse: collapse; font-size: 0.8em;"> <thead> <tr> <th style="width: 40%;">Product</th> <th style="width: 15%;">Unit List Price (USD)</th> <th style="width: 15%;">Adjusted List Price (USD)</th> <th style="width: 10%;">Qty</th> <th style="width: 20%;">Extended List Price (USD)</th> </tr> </thead> <tbody> <tr> <td style="border: 1px solid #ccc; padding: 2px;"> <div style="display: flex; align-items: center;"> + UCSX-215C-M8-U Invalid ⚠️ ✖️ </div> <div style="font-size: 0.7em; margin-top: 2px;">UCS X215c M8 Compute Node 2S</div> <div style="display: flex; justify-content: space-between; align-items: center; margin-top: 2px;"> Add Custom Name Edit Options Edit Services/Subscriptions Remove Line </div> </td> <td style="text-align: right;">9,621.50</td> <td style="text-align: right;">9,621.50</td> <td style="text-align: center;">6</td> <td style="text-align: right;">57,729.00</td> </tr> </tbody> </table> <p style="font-size: 0.7em; margin-top: 5px; text-align: center;">Add a UCSX MODULAR SERVER from the left panel</p>	Product	Unit List Price (USD)	Adjusted List Price (USD)	Qty	Extended List Price (USD)	<div style="display: flex; align-items: center;"> + UCSX-215C-M8-U Invalid ⚠️ ✖️ </div> <div style="font-size: 0.7em; margin-top: 2px;">UCS X215c M8 Compute Node 2S</div> <div style="display: flex; justify-content: space-between; align-items: center; margin-top: 2px;"> Add Custom Name Edit Options Edit Services/Subscriptions Remove Line </div>	9,621.50	9,621.50	6	57,729.00	
Product	Unit List Price (USD)	Adjusted List Price (USD)	Qty	Extended List Price (USD)									
<div style="display: flex; align-items: center;"> + UCSX-215C-M8-U Invalid ⚠️ ✖️ </div> <div style="font-size: 0.7em; margin-top: 2px;">UCS X215c M8 Compute Node 2S</div> <div style="display: flex; justify-content: space-between; align-items: center; margin-top: 2px;"> Add Custom Name Edit Options Edit Services/Subscriptions Remove Line </div>	9,621.50	9,621.50	6	57,729.00									
		<p style="font-size: 0.7em; margin-top: 5px; text-align: center;">Add a FABRIC INTERCONNECT from the left panel</p>											
		<p style="font-size: 0.7em; margin-top: 5px; text-align: center;">Add a CISCO INTERSIGHT from the left panel</p>											

a. Click on “Edit Services/Subscriptions” to edit Term Duration for HW Support.

Note: It is recommended that Term Duration for HW Support must align with Software Subscription Duration.

Step 6.

UCS 9500 Chassis

UCSX-9508-NEW-D → **Services/Subscriptions**

Service Subscription: UCSX-9508-NEW-D Price List: Global Price List in US Dollars (USD) Service Total (USD): 1,335.00 0.00

You may receive additional discounts because you selected two or more years of service. To review your discounts you can go to the Order or Quoting discount pages. (C0124)

Service Non Serviceable Products

The duration that you entered has been successfully applied to all the services. (C0329)

Service Options

Choose Service Level from: All Service Programs

Search by Name & Description

Note: Cisco may still install another compatible service if required. Compatible services are the services that come with primary service and are based on products.

Time Duration: Duration Delay service start to Co-Term service to

Duration: a

b

Service SKU	Product SKU	Unit List Price (USD)	Qty	Total List Price (USD)
Cisco Customer Experience Level 1 (1 ITEM) SERVICE PROGRAM CON-LINCO-UCSX5958 CX LEVEL 1 8X7XNCDOS Not sold standalone UCS 95... SERVICE SKU Change Service Remove Service	LINCO (CX LEVEL 1 8X7XNCDOS) SUMMARY Duration 36 Months UCSX-9508-NEW-D Not sold standalone UCS 9508 Chassis w/o nodes PRODUCT SKU	1,335.00	1	1,335.00

Configuration Summary All prices shown in USD

Services b

- a. Enter the Term Duration
- b. Click on “Apply” and “Done”

Step 7.

UCS 9500 Chassis

UCSX-9508-D=

IFM

Power Supply

Power Cable

Bundle Configuration
UCSX-M8-XCELERATE

Estimated Lead Time
182 days

Global Time List (0)

Set service preferences for this configuration

Cancel Done

1: FABRIC INTERCONNECT requires a minimum of 1 component(s). Please add additional quantities as necessary. (CE100010)
 2: The category FABRIC INTERCONNECT is required. (CE100103)
 3: CISCO INTERSIGHT requires a minimum of 1 component(s). Please add additional quantities as necessary. (CE100010)
 4: The category CISCO INTERSIGHT is required. (CE100103)
 5: Please note that you are using a promotional PID which is available ONLY IF qualified for the 'UCS X-Series Xcelerate' Program. For details on the program, PIs review Sales Connect, contact your Cisco Account Manager or reach out to ask-ucsx@external.cisco.com. We encourage you NOT to book this PID if you do not qualify. Order will be on hold after booking to check for eligibility. (CE2023Z2)

Available Components

Component	Unit List Price (USD)
UCS 9500 CHASSIS	0.00
UCSX-9508-NEW-D	0.00
UCSX-9508-D=	8,530.96

UCS 9500 CHASSIS > 1 Selected (Min 1, Max 99)

Product	Unit List Price (USD)	Adjusted List Price (USD)	Qty	Extended List Price (USD)
UCSX-9508-NEW-D		1,335.00	1	1,335.00

MODULAR SERVER > 6 Selected (Min 6, Max 64)

Product	Unit List Price (USD)	Adjusted List Price (USD)	Qty	Extended List Price (USD)
UCSX-215C-M8-U		9,621.50	6	57,729.00

FABRIC INTERCONNECT > 0 Selected (Min 1, Max 2)

CISCO INTERSIGHT > 0 Selected (Min 1, Max 1)

- a. Please note that each UCSX 9508 Chassis can consume maximum 8 Servers. If You have more number of Servers selected than number of Chassis currently you have can consume, consider selecting Additional Spare Chassis: UCSX-9508-D=

Step 8.

UCSX Modular Server

UCSX-215C-M8-U

CPU

Memory

Drives

Bundle Configuration: UCSX-M8-XCELERATE
Estimated Lead Time: 182 days
Price List: Global Price List

Set service preferences for this configuration

1: FABRIC INTERCONNECT requires a minimum of 1 component(s). Please add additional quantities as necessary. (CE100010)
2: The category FABRIC INTERCONNECT is required. (CE100103)
3: CISCO INTERSIGHT requires a minimum of 1 component(s). Please add additional quantities as necessary. (CE100010)
4: The category CISCO INTERSIGHT is required. (CE100103)
5: Please note that you are using a promotional PID which is available ONLY IF qualified for the 'UCS X-Series Xcelerate' Program. For details on the program, Pls review Sales Connect, contact your Cisco Account Manager or reach out to ask-ucsx@external.cisco.com. We encourage you NOT to book this PID if you do not qualify. Order will be on hold after booking to check for eligibility. (CE202322)

Product	Unit List Price (USD)	Adjusted List Price (USD)	Qty	Extended List Price (USD)
UCSX-9508-NEW-D Valid		1,335.00	1	1,335.00
Add a UCS 9500 CHASSIS from the left panel				
UCSX MODULAR SERVER Invalid		9,621.50	6	57,729.00
Add a UCSX MODULAR SERVER from the left panel				
FABRIC INTERCONNECT > 0 Selected (Min 1, Max 2) Add a FABRIC INTERCONNECT from the left panel				
CISCO INTERSIGHT > 0 Selected (Min 1, Max 1) Add a CISCO INTERSIGHT from the left panel				

- Paid Node: UCSX-215C-M8-U is preselected with 6 QTY under MLB and can be selected up to 32 QTY.
- Notice the UCSX-215C-M8-U ATO Status is invalid as further configuration needed.
- Select 'Edit Options' to enter the configurator.

Step 9.

UCSX Modular Server

UCSX-215C-M8-U → **CPU**, **Memory**, **Drives**

Product Configuration: UCSX-215C-M8-U part of UCSX-M8-XCELERATE | Estimated Lead Time: 182 days | Price List: Global Price List in US Dollars (USD) | Total (USD): 8,542.50

Configuration Summary

Category	Qty	Extended List Price (USD)
Processor		
Memory		
Front MEZZ - Controller		
Rear MEZZ - MLOM/PCI		
Storage Drives		
SATA M.2		
NVMe Boot		
Security Options		
XSeries ComputeNode SW		
Total		8,542.50
Estimated Lead Time		182 days

Processor Options

SKU	Qty	Estimated Lead Time	Unit List Price (USD)
UCSX-CPU-A9654	Qty	182 days	22,661.77
UCSX-CPU-A9124	Qty	45 days	3,543.27
UCSX-CPU-A9224	Qty	45 days	5,320.59
UCSX-CPU-A9254	Qty	182 days	6,552.21
UCSX-CPU-A9334	Qty	182 days	8,390.16

- a. Configure UCSX-215C-M8-U by selecting peripherals from category window on the left.
- b. PIDs are listed in the window on the right. Some PIDs like Memory and Drives are grouped according to type or series; select from the grouped options located above SKU window on the right.
- c. Follow warning messages to configure the minimum required option PIDs.
- d. Select Done when completed.

Step 10.

UCSX Modular Server

UCSX-215C-M8-U

CPU
Memory
Drives

Bundle Configuration: UCSX-M8-XCELERATE
Estimated Lead Time: 182 days
Price List: Global Price List (USD)

Set service preferences for this configuration

1: FABRIC INTERCONNECT requires a minimum of 1 component(s). Please add additional quantities as necessary. (CE100010)
 2: The category FABRIC INTERCONNECT is required. (CE100103)
 3: CISCO INTERSIGHT requires a minimum of 1 component(s). Please add additional quantities as necessary. (CE100010)
 4: The category CISCO INTERSIGHT is required. (CE100103)
 5: Please note that you are using a promotional PID which is available ONLY IF qualified for the 'UCS X-Series Xcelerate' Program. For details on the program, pls review Sales Connect, contact your Cisco Account Manager or reach out to ask-ucsx@external.cisco.com. We encourage you NOT to book this PID if you do not qualify. Order will be on hold after booking to check for eligibility. (CE202322)

Available Components	Unit List Price (USD)
UCS 9500 CHASSIS	
UCSX MODULAR SERVER	
UCSX-215C-M8-U UCS X215c M8 Compute Node 2S 6 required Estimated Lead Time: 182 days	8,542.50
UCSX-215C-M8-FRE UCS X215c M8 R2L Free Compute Node 2S Estimated Lead Time: --	0.00
UCSX-440P-NEW-D UCS X-Series Gen4 PCIe node for XCellerate Offer Estimated Lead Time: 21 days	0.03
FABRIC INTERCONNECT	
CISCO INTERSIGHT	

Product	Unit List Price (USD)	Adjusted List Price (USD)	Qty	Extended List Price (USD)
UCSX-9508-NEW-D Valid Not sold standalone UCS 9508 Chassis w/o nodes			1	1,335.00
UCSX MODULAR SERVER > 6 Selected (Min 6, Max 84)				
UCSX-215C-M8-U Valid UCS X215c M8 Compute Node 2S	21,794.51		6	544,217.88
FABRIC INTERCONNECT > 0 Selected (Min 1, Max 2)				
CISCO INTERSIGHT > 0 Selected (Min 1, Max 1)				

- Note Status is now showing as Valid.
- Increase the quantity for multiples of same configuration.
- Click the “PLUS” to add and configure the same product with different option/quantities or select a different product.

Step 11.

UCSX Modular Server
UCSX-215C-M8-U ➔ Services/Subscriptions

Bundle Configuration UCSX-M8-XCELERATE	Estimated Lead Time 182 days	Price List Global Price List (USD)	Total 545,552.88
---	---------------------------------	---------------------------------------	---------------------

Set service preferences for this configuration Cancel Done

⚠️ 1: FABRIC INTERCONNECT requires a minimum of 1 component(s). Please add additional quantities as necessary. (CE100010)

2: The category FABRIC INTERCONNECT is required. (CE100103)

3: CISCO INTERSIGHT requires a minimum of 1 component(s). Please add additional quantities as necessary. (CE100010)

4: The category CISCO INTERSIGHT is required. (CE100103)

5: Please note that you are using a promotional PID which is available ONLY IF qualified for the 'UCS X-Series Xcelerate' Program. For details on the program, PIs review Sales Connect, contact your Cisco Account Manager or reach out to ask-ucsx@external.cisco.com. We encourage you NOT to book this PID if you do not qualify. Order will be on hold after booking to check for eligibility. (CE202322)

Available Components	Unit List Price (USD)	UCS 9500 CHASSIS > 1 Selected (Min 1, Max 99)											
UCS 9500 CHASSIS		<table border="1" style="width: 100%; border-collapse: collapse;"> <thead> <tr> <th>Product</th> <th>Unit List Price (USD)</th> <th>Adjusted List Price (USD)</th> <th>Qty</th> <th>Extended List Price (USD)</th> </tr> </thead> <tbody> <tr> <td>UCSX-9508-NEW-D Valid ⚠️ Not sold standalone UCS 9508 Chassis w/o nodes Add Custom Name Edit Options Edit Services/Subscriptions Remove Line</td> <td></td> <td>1,335.00</td> <td style="text-align: center;">1</td> <td>1,335.00</td> </tr> </tbody> </table> <p style="font-size: 0.8em; margin-top: 5px;">Add a UCS 9500 CHASSIS from the left panel</p>	Product	Unit List Price (USD)	Adjusted List Price (USD)	Qty	Extended List Price (USD)	UCSX-9508-NEW-D Valid ⚠️ Not sold standalone UCS 9508 Chassis w/o nodes Add Custom Name Edit Options Edit Services/Subscriptions Remove Line		1,335.00	1	1,335.00	
Product	Unit List Price (USD)	Adjusted List Price (USD)	Qty	Extended List Price (USD)									
UCSX-9508-NEW-D Valid ⚠️ Not sold standalone UCS 9508 Chassis w/o nodes Add Custom Name Edit Options Edit Services/Subscriptions Remove Line		1,335.00	1	1,335.00									
UCSX-215C-M8-U UCS X215c M8 Compute Node 2S 6 required Estimated Lead Time: 182 days	8,542.50	<table border="1" style="width: 100%; border-collapse: collapse;"> <thead> <tr> <th>Product</th> <th>Unit List Price (USD)</th> <th>Adjusted List Price (USD)</th> <th>Qty</th> <th>Extended List Price (USD)</th> </tr> </thead> <tbody> <tr> <td>UCSX-215C-M8-U Valid ⚠️ UCS X215c M8 Compute Node 2S Add Custom Name Edit Options Edit Services/Subscriptions Remove Line</td> <td></td> <td>21,794.51</td> <td style="text-align: center;">6</td> <td>544,217.88</td> </tr> </tbody> </table> <p style="font-size: 0.8em; margin-top: 5px;">Add a UCSX MODULAR SERVER from the left panel</p>	Product	Unit List Price (USD)	Adjusted List Price (USD)	Qty	Extended List Price (USD)	UCSX-215C-M8-U Valid ⚠️ UCS X215c M8 Compute Node 2S Add Custom Name Edit Options Edit Services/Subscriptions Remove Line		21,794.51	6	544,217.88	
Product	Unit List Price (USD)	Adjusted List Price (USD)	Qty	Extended List Price (USD)									
UCSX-215C-M8-U Valid ⚠️ UCS X215c M8 Compute Node 2S Add Custom Name Edit Options Edit Services/Subscriptions Remove Line		21,794.51	6	544,217.88									
UCSX-215C-M8-FRE UCS X215c M8 R2L Free Compute Node 2S Estimated Lead Time: --	0.00												
UCSX-440P-NEW-D UCS X-Series Gen4 PCIe node for XCellerate Offer Estimated Lead Time: 21 days	0.03												
FABRIC INTERCONNECT		FABRIC INTERCONNECT > 0 Selected (Min 1, Max 2) Add a FABRIC INTERCONNECT from the left panel											
CISCO INTERSIGHT		CISCO INTERSIGHT > 0 Selected (Min 1, Max 1) Add a CISCO INTERSIGHT from the left panel											

a. Click on “Edit Services/Subscriptions” to edit Term Duration for HW Support.

Note: It is recommended that Term Duration for HW Support must align with Software Subscription Duration.

Step 12.

UCSX Modular Server

UCSX-215C-M8-U → **Services/Subscriptions**

Service Subscription UCSX-215C-M8-U	Price List Global Price List in US Dollars (USD)	Service Total (USD) 3,237.00	Subscription Total (USD) 0.00
--	---	---------------------------------	----------------------------------

You may receive additional discounts because you selected two or more years of service. To review your discounts you can go to the Order or Quoting discount pages. (C0124)

Service Non Serviceable Products

The duration that you entered has been successfully applied to all the services. (C0329)

Service Options

Choose Service Level from: All Service Programs

Note: Cisco may still install another compatible service if required. Compatible services are the services that come with primary service and are based on products.

Time Duration: Duration Delay service start to Co-Term service to

Duration: a

b

Service SKU	Product SKU	Unit List Price (USD)	Qty	Total List Price (USD)
Cisco Customer Experience Level 1 (1 ITEM) SERVICE PROGRAM	L1NCO (CX LEVEL 1 8X7XNCDOS) SUMMARY		Duration 36 Months	
CON-L1NCO-UCSX2CMU CX LEVEL 1 8X7XNCDOS UCS X215c M8 Compute N...	UCSX-215C-M8-U UCS X215c M8 Compute Node 2S PRODUCT SKU	3,237.00	1	3,237.00

Configuration Summary All prices shown in USD

Services b

- a. Enter the Term Duration
- b. Click on "Apply" and "Done"

Step 13.

UCSX Modular Server

UCSX-215C-M8-FRE

CPU

Memory

Drives

Bundle Configuration: UCSX-M8-XCELERATE
 Estimated Lead Time: 182 days
 Price List: Global Pr
 Total: 60,658.88

Set service preferences for this configuration

1: FABRIC INTERCONNECT requires a minimum of 1 component(s). Please add additional quantities as necessary. (CE100010)
 2: The category FABRIC INTERCONNECT is required. (CE100103)
 3: CISCO INTERSIGHT requires a minimum of 1 component(s). Please add additional quantities as necessary. (CE100010)
 4: The category CISCO INTERSIGHT is required. (CE100103)
 5: Please note that you are using a promotional PID which is available ONLY IF qualified for the 'UCS X-Series Xccelerate' Program. For details on the program, Pls review Sales Connect, contact your Cisco Account Manager or reach out to ask-ucsx@external.cisco.com. We encourage you NOT to book this PID if you do not qualify. Order will be on hold after booking to check for eligibility. (CE202322)

Available Components	Unit List Price (USD)
UCS 9500 CHASSIS	
UCSX MODULAR SERVER	
UCSX-215C-M8-U UCS X215c M8 Compute Node 2S 6 required Estimated Lead Time: 182 days	8,542.50
UCSX-215C-M8-FRE UCS X215c M8 R2L Free Compute Node 2S Estimated Lead Time: --	0.00
UCSX-440P-NEW-D UCS X-Series Gen4 PCIe node for Xccelerate Offer Estimated Lead Time: 21 days	0.03
FABRIC INTERCONNECT	
CISCO INTERSIGHT	

Product	Unit List Price (USD)	Adjusted List Price (USD)	Qty	Extended List Price (USD)
UCSX-9508-NEW-D Not sold standalone UCS 9508 Chassis w/o nodes Add Custom Name Edit Options Edit Services/Subscriptions Remove Line			1	1,335.00
Add a UCS 9500 CHASSIS from the left panel				
Product	Unit List Price (USD)	Adjusted List Price (USD)	Qty	Extended List Price (USD)
UCSX-215C-M8-U UCS X215c M8 Compute Node 2S Add Custom Name Edit Options Edit Services/Subscriptions Remove Line	23,952.51		6	557,165.88
UCSX-215C-M8-FRE Invalid UCS X215c M8 R2L Free Compute Node 2S Add Custom Name Edit Options Edit Services/Subscriptions Remove Line	1,079.00		2	2,158.00
Add a UCSX MODULAR SERVER from the left panel				
FABRIC INTERCONNECT > 0 Selected (Min 1, Max 2) Add a FABRIC INTERCONNECT from the left panel				

- a. Free Node: UCSX-215C-M8-FRE is an optional selection and can be selected with minimum 2 QTY and max 10 QTY
- b. Notice the UCSX-215C-M8-FRE ATO Status is invalid as further configuration needed.
- c. Click on 'Edit Option' to enter the configurator.

Note: Configuration of Paid Node and Free Node should be identical.

Step 14.

UCSX Modular Server

UCSX-215C-M8-FRE → **CPU**, **Memory**, **Drives**

Product Configuration: UCSX-215C-M8-FRE part of UCSX-M8-XCELERATOR Estimated Lead Time: 21 days Price List: Global Price List in US Dollars (USD) 0.00

Configuration Summary

Category	Qty	Extended List Price (USD)
Processor		
Memory		
Front MEZZ - Controller		
Rear MEZZ - MLOM/PCI		
Storage Drives		
SATA M.2		
NVMe Boot		
Security Options		
XSeries ComputeNode SW		
Total		0.00
Estimated Lead Time		21 days

Processor Options

SKU	Qty	Estimated Lead Time	Unit List Price (USD)
UCSX-CPU-A9654	Qty	182 days	0.00
UCSX-CPU-A9124	Qty	45 days	0.00
UCSX-CPU-A9224	Qty	45 days	0.00
UCSX-CPU-A9254	Qty	182 days	0.00
UCSX-CPU-A9334	Qty	182 days	0.00

Warnings:

- A selection from Infrastructure and Workload is required. Please adjust the selections. (CE200277)
- A selection of either UCSX-ML-V5Q50G-D or UCSX-MLV5D200GV2D from Rear MEZZ - MLOM/PCI is required. Please adjust the selections. (CE200096)
- UCSX-215C-M8-FRE quantity 1 requires a minimum quantity of 1 from Processor (CE100012)
- UCSX-215C-M8-FRE quantity 1 requires a minimum quantity of 1 from Security Options (CE100012)

Buttons: Cancel, Done

- Configure UCSX-215C-M8-FRE by selecting peripherals from category window on the left.
- PIDs are listed in the window on the right. Some PIDs like Memory and storage drives are grouped according to type or series; select from the grouped options located above SKU window on the right.
- Follow warning messages to configure the minimum required option PIDs.
- Click on “Done” when completed.

Step 15.

UCSX Modular Server

UCSX-215C-M8-FRE

CPU

Memory

Drives

Bundle Configuration: UCSX-M8-XCELERATE
 Estimated Lead Time: 182 days
 Price List: Global Price List (USD)
 560,658.88

Set service preferences for this configuration

1: FABRIC INTERCONNECT requires a minimum of 1 component(s). Please add additional quantities as necessary. (CE100010)
 2: The category FABRIC INTERCONNECT is required. (CE100103)
 3: CISCO INTERSIGHT requires a minimum of 1 component(s). Please add additional quantities as necessary. (CE100010)
 4: The category CISCO INTERSIGHT is required. (CE100103)
 5: Please note that you are using a promotional PID which is available ONLY IF qualified for the 'UCSX X-Series Xccelerate' Program. For details on the program, PIs review Sales Connect, contact your Cisco Account Manager or reach out to ask-ucsx@external.cisco.com. We encourage you NOT to book this PID if you do not qualify. Order will be on hold after booking to check for eligibility. (CE202322)

Available Components	Unit List Price (USD)
UCS 9500 CHASSIS	
UCSX MODULAR SERVER	
UCSX-215C-M8-U UCS X215c M8 Compute Node 2S 6 required Estimated Lead Time: 182 days	8,542.50
UCSX-215C-M8-FRE UCS X215c M8 R2L Free Compute Node 2S Estimated Lead Time: --	0.00
UCSX-440P-NEW-D UCS X-Series Gen4 PCIe node for Xccelerate Offer Estimated Lead Time: 21 days	0.03
FABRIC INTERCONNECT	
CISCO INTERSIGHT	

UCS 9500 CHASSIS > 1 Selected (Min 1, Max 99)	Unit List Price (USD)	Adjusted List Price (USD)	Qty	Extended List Price (USD)
UCSX-9508-NEW-D Valid Not sold standalone UCS 9508 Chassis w/o nodes	1,335.00		1	1,335.00

UCSX MODULAR SERVER > 8 Selected (Min 6, Max 84)	Unit List Price (USD)	Adjusted List Price (USD)	Qty	Extended List Price (USD)
UCSX-215C-M8-U Valid UCS X215c M8 Compute Node 2S	23,952.51		6	557,165.88
UCSX-215C-M8-FRE Valid UCS X215c M8 R2L Free Compute Node 2S	1,079.00		2	2,158.00

FABRIC INTERCONNECT > 0 Selected (Min 1, Max 2)	Unit List Price (USD)	Adjusted List Price (USD)	Qty	Extended List Price (USD)
---	-----------------------	---------------------------	-----	---------------------------

- Note Status is now showing as "Valid".
- Increase the quantity for multiples of same configuration.
- Click the "PLUS" to add and configure the same product with different option/quantities or select a different product.

Step 16.

UCSX Modular Server

Services/Subscriptions

UCSX-215C-M8-FRE

➔

Bundle Configuration UCSX-M8-XCELERATE	Estimated Lead Time 182 days	Price List Global Price List (USD)	Total 560,658.88
---	---------------------------------	---------------------------------------	---------------------

Get service preferences for this configuration Cancel Done

⚠️ 1: FABRIC INTERCONNECT requires a minimum of 1 component(s). Please add additional quantities as necessary. (CE100010)

2: The category FABRIC INTERCONNECT is required. (CE100103)

3: CISCO INTERSIGHT requires a minimum of 1 component(s). Please add additional quantities as necessary. (CE100010)

4: The category CISCO INTERSIGHT is required. (CE100103)

5: Please note that you are using a promotional PID which is available ONLY IF qualified for the 'UCSX X-Series Xcelerate' Program. For details on the program, Pls review Sales Connect, contact your Cisco Account Manager or reach out to ask-ucsx@external.cisco.com. We encourage you NOT to book this PID if you do not qualify. Order will be on hold after booking to check for eligibility. (CE202322)

Available Components	Unit List Price (USD)	UCSX 9500 CHASSIS > 1 Selected (Min 1, Max 99)	Unit List Price (USD)	Adjusted List Price (USD)	Qty	Extended List Price (USD)										
UCS 9500 CHASSIS		<table border="1" style="width: 100%; border-collapse: collapse;"> <tr> <td style="width: 5%;">+</td> <td style="width: 25%;">UCSX-9508-NEW-D Valid ⚠️</td> <td style="width: 15%;">1,335.00</td> <td style="width: 10%;">1</td> <td style="width: 15%;">1,335.00</td> </tr> </table>					+	UCSX-9508-NEW-D Valid ⚠️	1,335.00	1	1,335.00					
+	UCSX-9508-NEW-D Valid ⚠️	1,335.00	1	1,335.00												
UCSX MODULAR SERVER		<table border="1" style="width: 100%; border-collapse: collapse;"> <tr> <td style="width: 5%;">+</td> <td style="width: 25%;">UCSX-215C-M8-U Valid</td> <td style="width: 15%;">23,952.51</td> <td style="width: 10%;">6</td> <td style="width: 15%;">557,165.88</td> </tr> <tr> <td style="width: 5%;">+</td> <td style="width: 25%;">UCSX-215C-M8-FRE Valid</td> <td style="width: 15%;">1,079.00</td> <td style="width: 10%;">2</td> <td style="width: 15%;">2,158.00</td> </tr> </table>					+	UCSX-215C-M8-U Valid	23,952.51	6	557,165.88	+	UCSX-215C-M8-FRE Valid	1,079.00	2	2,158.00
+	UCSX-215C-M8-U Valid	23,952.51	6	557,165.88												
+	UCSX-215C-M8-FRE Valid	1,079.00	2	2,158.00												
UCSX-215C-M8-U UCS X215c M8 Compute Node 2S 6 required Estimated Lead Time: 182 days	8,542.50															
UCSX-215C-M8-FRE UCS X215c M8 R2L Free Compute Node 2S Estimated Lead Time: --	0.00															
UCSX-440P-NEW-D UCS X-Series Gen4 PCIe node for Xcelerate Offer Estimated Lead Time: 21 days	0.03															
FABRIC INTERCONNECT		FABRIC INTERCONNECT > 0 Selected (Min 1, Max 2)														
CISCO INTERSIGHT																

a. Click on “Edit Services/Subscriptions” to edit Term Duration for HW Support.

Note: It is recommended that Term Duration for HW Support must align with Software Subscription Duration.

Step 17.

UCSX Modular Server

UCSX-215C-M8-FRE
➔
Services/Subscriptions

Service Subscription UCSX-215C-M8-FRE	Price List Global Price List in US Dollars (USD)	Service Total (USD) 3,237.00	Subscription Total (USD) 0.00
--	---	---------------------------------	----------------------------------

i You may receive additional discounts because you selected two or more years of service. To review your discounts you can go to the Order or Quoting discount pages. (C0124)

⚠ The duration that you entered has been successfully applied to all the services. (C0329)

Service Options

Choose Service Level from: All Service Programs ▼

Search by Name & Description

Note: Cisco may still install another compatible service if required. Compatible services are the services that come with primary service and are based on products.

Time Duration ⓘ

Duration

Delay service start to

Co-Term service to

Duration

Reset
Apply

Service SKU	Product SKU	Unit List Price (USD)	Qty	Total List Price (USD)
Cisco Customer Experience Level 1 (1 ITEM) <small>SERVICE PROGRAM</small>	L1NCO (CX LEVEL 1 8X7XNCDOS) <small>SUMMARY</small>			
CON-L1NCO-UCSX2FRE <small>SERVICE PROGRAM</small>		3,237.00	1	3,237.00
CX LEVEL 1 8X7XNCDOS UCS X215c M8 R2L Free C... <small>SERVICE SKU</small>			1	
UCSX-215C-M8-FRE UCS X215c M8 R2L Free Compute Node 2S <small>PRODUCT SKU</small>				

Remove All Services
Remove All Additional Services

Configuration Summary All prices shown in USD
Services

Cancel
Done

- a. Enter the Term Duration.
- b. Click on "Apply" and "Done"

Step 18.

UCSX Refuse to Lose M8 Offer

PAID vs Free Server Node QTY Ratio

PAID Node (UCSX-215C-M8-U)	Free Node (UCSX-215C-M8-FRE)	Free Chassis (UCSX-9508-NEW-D)	Additional Chassis (UCSX-9508-D=)	Free Fabric Interconnect (UCSX-FI-6536-NEW-D/ UCSX-FI-6454-NEW-D)
Min QTY Required	QTY Allowed	QTY Allowed	Required (Y/N)	QTY Allowed
6	2	1	N	2
9	3	1	Y	
12	4	2	N	
15	5	2	Y	
18	6	3	N	
21	7	3	Y	
24	8	3	Y	
27	9	4	Y	
30	10	4	Y	

Step 19.

UCSX Modular Server

↓

GPU
PCIe Riser

Bundle Configuration
UCSX-M8-XCELERATE
Estimated Lead Time: 182 days
Global Price List (USD)

Set service preferences for this configuration

1: FABRIC INTERCONNECT requires a minimum of 1 component(s). Please add additional quantities as necessary. (CE100010)
 2: The category FABRIC INTERCONNECT is required. (CE100103)
 3: CISCO INTERSIGHT requires a minimum of 1 component(s). Please add additional quantities as necessary. (CE100010)
 4: The category CISCO INTERSIGHT is required. (CE100103)
 5: Please note that you are using a promotional PID which is available ONLY IF qualified for the 'UCSX X-Series Xcelerate' Program. For details on the program, Pls review Sales Connect, contact your Cisco Account Manager or reach out to ask-ucsx@external.cisco.com. We encourage you NOT to book this PID if you do not qualify. Order will be on hold after booking to check for eligibility. (CE202322)
 6: Please note that each UCSX-440P-NEW-D requires minimum 6 Servers. You can increase number of Servers up to the number of Chassis quantity listed in the summary. Please consider the license for the CPU of Server to be added.

UCSX-440P-NEW-D has been added to the bundle category UCSX MODULAR SERVER.

Available Components	Unit List Price (USD)
UCS 9500 CHASSIS	
UCSX MODULAR SERVER	
UCSX-215C-M8-U UCS X215c M8 Compute Node 2S 6 required Estimated Lead Time: 182 days	8,542.50
UCSX-215C-M8-FRE UCS X215c M8 R2L Free Compute Node 2S Estimated Lead Time: --	0.00
UCSX-440P-NEW-D UCS X-Series Gen4 PCIe node for XCellerate Offer Estimated Lead Time: 21 days	0.03
FABRIC INTERCONNECT	
CISCO INTERSIGHT	

Product	Unit List Price (USD)	Adjusted List Price (USD)	Qty	Extended List Price (USD)
UCSX-9508-NEW-D Not sold standalone UCS 9508 Chassis w/o nodes Add Custom Name Edit Options Edit Services/Subscriptions Remove Line		1,335.00	1	1,335.00
Add a UCS 9500 CHASSIS from the left panel				
Product	Unit List Price (USD)	Adjusted List Price (USD)	Qty	Extended List Price (USD)
UCSX-215C-M8-U UCS X215c M8 Compute Node 2S Add Custom Name Edit Options Edit Services/Subscriptions Remove Line		23,952.51	6	557,165.88
UCSX-215C-M8-FRE UCS X215c M8 R2L Free Compute Node 2S Add Custom Name Edit Options Edit Services/Subscriptions Remove Line		3,237.00	2	6,474.00
UCSX-440P-NEW-D UCS X-Series Gen4 PCIe node for XCellerate Offer Add Custom Name Select Options Remove Line		0.03	1	0.03

- Select UCSX-440P-NEW-D ATO from under MLB by clicking the "PLUS".
- Notice the UCSX-440P-NEW-D ATO Status is invalid as further configuration needed
- Click on "Select Options" to enter the configurator.

Step 20.

The screenshot shows the configuration page for UCSX-440P-NEW-D. At the top, a diagram shows 'UCSX-440P-NEW-D' connected to 'GPU' and 'PCIe Riser'. The main interface includes a 'Configuration Summary' table with a 'GPU Options' section highlighted by a red arrow 'a'. Below this is a table of GPU options with columns for SKU, Qty, Estimated Lead Time, and Unit List Price (USD). A red arrow 'b' points to the 'Done' button at the bottom of the configuration area.

SKU	Qty	Estimated Lead Time	Unit List Price (USD)
UCSX-GPU-A16-D NVIDIA A16 PCIe 250W 4X16GB, wPWR CBL	2	42 days	10,291.10
UCSX-GPU-A40-D TESLA A40 RTX, PASSIVE, 300W, 48GB, wPWR CBL	2	42 days	16,536.73
UCSX-GPU-A100-80-D TESLA A100, PASSIVE, 300W, 80GB, wPWR CBL	2	42 days	56,280.00
UCSX-GPU-L4 NVIDIA L4 Tensor Core, 70W, 24GB	4	42 days	10,854.00
UCSX-GPU-L40 NVIDIA L40 300W, 48GB wPWR CBL	2	42 days	29,898.75
UCSX-GPU-L40S NVIDIA L40S: 350W, 48GB, 2-slot FHFL GPU	2	42 days	39,094.50
UCSX-GPU-H100-80 NVIDIA H100: 350W, 80GB, 2-slot FHFL GPU	2	21 days	99,696.00
UCSX-GPU-FLEX140 Intel GPU Flex 140, Gen4x8, HPHL, 75W PCIe	4	42 days	8,589.74
UCSX-GPU-FLEX170 Intel GPU Flex 170, Gen4x16, HPHL, 150W PCIe	2	42 days	10,150.50
UCSX-GPU-H100-NVL NVIDIA H100 NVL, 400W, 94GB, 2-slot FHFL GPU	Qty	129 days	99,696.00

- Configure GPU PCIe Node: UCSX-440P-NEW-D by selecting GPU and appropriate Riser will get auto expand.
- Click on “Done”

Note:

- Must select X-Fabric Module: UCSX-F-9416-D under Chassis: UCSX-9508-NEW-D and/or UCSX-9508-D=.
- QTY of UCSX-440P-NEW-D must be less than or equal to UCSX-215C-M8-U and UCSX-215C-M8-FRE.

Step 21.

UCSX Modular Server

UCSX-440P-NEW-D → **GPU**
PCIe Riser

Bundle Configuration: UCSX-M8-XCELERATE
Estimated Lead Time: 182 days
Price: Global Price List (USD)

Set service preferences for this configuration

1: FABRIC INTERCONNECT requires a minimum of 1 component(s). Please add additional quantities as necessary. (CE100010)
2: The category FABRIC INTERCONNECT is required. (CE100103)
3: CISCO INTERSIGHT requires a minimum of 1 component(s). Please add additional quantities as necessary. (CE100010)
4: The category CISCO INTERSIGHT is required. (CE100103)
5: Please note that you are using a promotional PID which is available ONLY IF qualified for the 'UCS X-Series Xcelerate' Program. For details on the program, Pls review Sales Connect, contact your Cisco Account Manager or reach out to ask-ucsx@external.cisco.com. We encourage you NOT to book this PID if you do not qualify. Order will be on hold after booking to check for eligibility. (CE202322)

Available Components	Unit List Price (USD)
UCS 9500 CHASSIS	
UCSX MODULAR SERVER	
UCSX-215C-M8-U UCS X215c M8 Compute Node 2S 6 required Estimated Lead Time: 182 days	8,542.50
UCSX-215C-M8-FRE UCS X215c M8 R2L Free Compute Node 2S Estimated Lead Time: --	0.00
UCSX-440P-NEW-D UCS X-Series Gen4 PCIe node for Xcelerate Offer Estimated Lead Time: 21 days	0.03
FABRIC INTERCONNECT	
CISCO INTERSIGHT	

Product	Unit List Price (USD)	Adjusted List Price (USD)	Qty	Extended List Price (USD)
UCSX-9508-NEW-D Valid Not sold standalone UCS 9508 Chassis w/o nodes		1,335.00	1	1,335.00

Add a UCS 9500 CHASSIS from the left panel

Product	Unit List Price (USD)	Adjusted List Price (USD)	Qty	Extended List Price (USD)
UCSX-215C-M8-U Valid UCS X215c M8 Compute Node 2S		23,952.51	6	557,165.88
UCSX-215C-M8-FRE Valid UCS X215c M8 R2L Free Compute Node 2S		3,237.00	2	6,474.00
UCSX-440P-NEW-D Valid UCS X-Series Gen4 PCIe node for Xcelerate Offer		99,696.03	1	99,696.03

- Note Status is now showing as Valid.
- Increase the quantity for multiples of same configuration.
- Click on the “Plus” to add and configure the same product with different option/quantities or select a different product.

Step 22.

Fabric Interconnect

UCSX-FI-6536-NEW-D

Software Image
Software License
Power Supply

Available Components	Unit List Price (USD)
UCS 9500 CHASSIS	
UCSX MODULAR SERVER	
FABRIC INTERCONNECT	
UCSX-FI-6536-NEW-D XCellerate offer for Fabric Interconnect 6536 for IMM Estimated Lead Time: 21 days	0.03
UCSX-FI-6454-NEW-D XCellerate offer for Fabric Interconnect 6454 Estimated Lead Time: 21 days	0.00
OPT-OUT Opt Out Estimated Lead Time: 7 days	0.00
CISCO INTERSIGHT	

UCS 9500 CHASSIS > 1 Selected (Min 1, Max 99)				
Product	Unit List Price (USD)	Adjusted List Price (USD)	Qty	Extended List Price (USD)
UCSX-9508-NEW-D Valid Not sold standalone UCS 9508 Chassis w/o nodes Add Custom Name Edit Options Edit Services/Subscriptions Remove Line	1,335.00		1	1,335.00

UCSX MODULAR SERVER > 9 Selected (Min 6, Max 84)				
Product	Unit List Price (USD)	Adjusted List Price (USD)	Qty	Extended List Price (USD)
UCSX-215C-M8-U Valid UCS X215c M8 Compute Node 2S Add Custom Name Edit Options Edit Services/Subscriptions Remove Line	23,952.51		6	557,165.88
UCSX-215C-M8-FRE Valid UCS X215c M8 R2L Free Compute Node 2S Add Custom Name Edit Options Edit Services/Subscriptions Remove Line	3,237.00		2	6,474.00
UCSX-440P-NEW-D Valid UCS X-Series Gen4 PCIe node for XCellerate Offer Add Custom Name Edit Options Remove Line	99,696.03		1	99,696.03

FABRIC INTERCONNECT > 2 Selected (Min 1, Max 2)				
Product	Unit List Price (USD)	Adjusted List Price (USD)	Qty	Extended List Price (USD)
UCSX-FI-6536-NEW-D Invalid XCellerate offer for Fabric Interconnect 6536 for IMM Add Custom Name Edit Options Edit Services/Subscriptions Remove Line	11,093.03		2	22,186.06

CISCO INTERSIGHT > 0 Selected (Min 1, Max 1)				
--	--	--	--	--

- Select UCSX-FI-6536-NEW-D ATO with 2 QTY under MLB by clicking the “Plus”
- Notice the UCSX-FI-6536-NEW-D ATO Status is invalid as further configuration needed
- Click on “Edit Options” to enter the configurator.

Step 23.

Fabric Interconnect

UCSX-FI-6536-NEW-D

Price List
Global Price List in U

Software Image

Software License

Power Supply

Product Configuration
UCSX-FI-6536-NEW-D part of UCSX-M9-XCELERATE

Estimated Lead Time
21 days

1: Please note that this order will be placed on a Compliance Hold. Please reach out to sac-support@cisco.com to check if this order meets eligibility criteria for hold removal. Note that the order will remain on compliance hold if you do not reach out to sac-support@cisco.com to request eligibility check. (CE202322)

2: Please note that due to lead time issues we have decided to remove some of the low selling optics PIDs from the FI bundle. This PIDs are still orderable as spare. Complete list of optics and cable PID is available in the product spec sheet. (CE202322)

3: UCS-FI-6500-SW is defaulted under Software License. (CE100033)

Configuration Summary [View Full Summary](#)

Category	Qty	Extended List Price (USD)
Software Image		
N10-MGT018-D	1	0.00
Software License		
UCS-FI-6500-SW	1	9,045.00
Power Supply		
UCS-PSU-6536-AC-D	2	0.00
Power Cable		
Transceiver and Cable		
QSFP Cable		
Total		9,045.03
Estimated Lead Time		21 days

Option Search Multiple Options Search

UCSX-FI-6536-NEW-D > Power Cable

Power Cable

SKU	Qty	Estimated Lead Time	Unit List Price (USD)
<input type="radio"/> NO-POWER-CORD ECO friendly green option, no power cable will be shipped More	2	3 days	0.00
<input type="radio"/> CAB-C13-C14-3M-IN Power Cord Jumper, C13-C14 Connectors, 3 Meter Length, India More	2	91 days	0.00
<input type="radio"/> CAB-C13-C14-2M Power Cord Jumper, C13-C14 Connectors, 2 Meter Length	2	35 days	0.00
<input type="radio"/> CAB-C13-C14-AC Power cord, C13 to C14 (recessed receptacle), 10A	2	7 days	0.00
<input type="radio"/> CAB-C13-C14-IN Power Cord Jumper, C13-C14 Connectors, 1.4 Meter Length India More	2	28 days	0.00

Reset Configuration

- Configure UCSX-FI-6536-NEW-D by selecting peripherals from window on the left. Software Image, Software License and Power Supply are default selection.
- PIDs are listed in the window on the right. Please make selection of Power Cable.
- Transceiver Cable and QSFP Cables are Optional selection.
- Click on "Done" when completed

Step 24.

Fabric Interconnect

UCSX-FI-6536-NEW-D

Software Image

Software License

Power Supply

Available Components	Unit List Price (USD)	Product	Unit List Price (USD)	Adjusted List Price (USD)	Qty	Extended List Price (USD)
UCSX-FI-6536-NEW-D XCellerate offer for Fabric Interconnect 6536 for IMM Estimated Lead Time: 21 days	0.03	UCSX-9508-NEW-D Valid ⚠️ Not sold standalone UCS 9508 Chassis w/o nodes	1,335.00	1,335.00	1	1,335.00
UCSX-FI-6454-NEW-D XCellerate offer for Fabric Interconnect 6454 Estimated Lead Time: 21 days	0.00	UCSX-215C-M8-U Valid ⚠️ UCS X215c M8 Compute Node 2S	23,952.51	23,952.51	6	557,165.88
OPT-OUT Opt Out Estimated Lead Time: 7 days	0.00	UCSX-215C-M8-FRE Valid ⚠️ UCS X215c M8 R2L Free Compute Node 2S	3,237.00	3,237.00	2	6,474.00
CISCO INTERSIGHT		UCSX-440P-NEW-D Valid ⚠️ UCS X-Series Gen4 PCIe node for XCellerate Offer	99,696.03	99,696.03	1	99,696.03
		UCSX-FI-6536-NEW-D Valid ⚠️ XCellerate offer for Fabric Interconnect 6536 for IMM	11,093.03	11,093.03	2	22,186.06

a. Note Status is now showing as Valid.

Step 25.

Fabric Interconnect

UCSX-FI-6536-NEW-D

Services/Subscriptions

Available Components	Unit List Price (USD)	Product	Unit List Price (USD)	Adjusted List Price (USD)	Qty	Extended List Price (USD)
UCSX-FI-6536-NEW-D XCellerate offer for Fabric Interconnect 6536 for IMM Estimated Lead Time: 21 days	0.03	UCSX-9508-NEW-D Valid ⚠️ Not sold standalone UCS 9508 Chassis w/o nodes	1,335.00	1,335.00	1	1,335.00
UCSX-FI-6454-NEW-D XCellerate offer for Fabric Interconnect 6454 Estimated Lead Time: 21 days	0.00	UCSX-215C-M8-U Valid ⚠️ UCS X215c M8 Compute Node 2S	23,952.51	23,952.51	6	557,165.88
OPT-OUT Opt Out Estimated Lead Time: 7 days	0.00	UCSX-215C-M8-FRE Valid ⚠️ UCS X215c M8 R2L Free Compute Node 2S	3,237.00	3,237.00	2	6,474.00
CISCO INTERSIGHT		UCSX-440P-NEW-D Valid ⚠️ UCS X-Series Gen4 PCIe node for XCellerate Offer	99,696.03	99,696.03	1	99,696.03
		UCSX-FI-6536-NEW-D Valid ⚠️ XCellerate offer for Fabric Interconnect 6536 for IMM	11,093.03	11,093.03	2	22,186.06

- a. Click on “Edit Services/Subscriptions” to edit Term Duration for HW Support.

Note: It is recommended that Term Duration for HW Support must align with Software Subscription Duration.

Step 26.

Fabric Interconnect

UCSX-FI-6536-NEW-D → **Services/Subscriptions**

Service Subscription UCSX-FI-6536-NEW-D	Price List Global Price List in US Dollars (USD)	Service Total (USD) 6,144.00	Subscription Total (USD) 0.00
--	---	---------------------------------	----------------------------------

Service Options

Choose Service Level from: All Service Programs

Time Duration: Duration, Delay service start to, Co-Term service to

Duration:

Buttons:

Service SKU	Product SKU	Unit List Price (USD)	Qty	Total List Price (USD)
Cisco Customer Experience Level 1 (1 ITEM) SERVICE PROGRAM	L1NCO (CX LEVEL 1 8X7XNCDOS) SUMMARY		Duration 36 Months	
CON-L1NCO-UCSXWFI6 CX LEVEL 1 8X7XNCDOS XCellerate offer for Fabric In...	UCSX-FI-6536-NEW-D XCellerate offer for Fabric Interconnect 6536 for IMM PRODUCT SKU	6,144.00	1	6,144.00

Buttons:

Configuration Summary All prices shown

Services

Buttons:

- a. Enter the Term Duration
- b. Click on “Apply” and “Done”

Step 27.

Cisco Intersight

CNDL-DESELECT-D

Product	Unit List Price (USD)	Adjusted List Price (USD)	Qty	Extended List Price (USD)
UCS 9500 CHASSIS > 1 Selected (Min 1, Max 99)				
UCSX-9508-NEW-D	1,335.00	1,335.00	1	1,335.00
UCSX MODULAR SERVER > 9 Selected (Min 6, Max 84)				
UCSX-215C-M8-U	23,952.51	23,952.51	6	557,165.88
UCSX-215C-M8-FRE	3,237.00	3,237.00	2	6,474.00
UCSX-440P-NEW-D	99,696.03	99,696.03	1	99,696.03
FABRIC INTERCONNECT > 2 Selected (Min 1, Max 2)				
UCSX-FI-6536-NEW-D	15,189.03	15,189.03	2	30,378.06
CISCO INTERSIGHT > 1 Selected (Min 1, Max 1)				
CNDL-DESELECT-D	0.00	0.00	1	0.00

- a. **CNDL-DESELECT-D** is meant to select only if Customer has already purchased Cisco Intersight License via EA Contract or order is for Disti Fulfillment.

Note: Please note that Intersight is required selection and needed for the M8 Server to function. All orders with CNDL-DESELECT-D will be manually reviewed for Compliance.

Step 28.

Product Configuration: CNDL-DESELECT-D part of UCSX-M8-XCELERATE | Estimated Lead Time: 7 days | Price List: Global Price List in US Dollars (USD) | Total (USD): 0.00

Configuration Summary [View Full Summary](#)

Category	Qty	Extended List Price (USD)
Reason Codes		
OPTOUT-DISTI-ONLY	1	0.00

Reason Codes

SKU	Qty	Estimated Lead Time	Unit List Price (USD)
<input checked="" type="radio"/> OPTOUT-DISTI-ONLY For Distl when ordering mandatory licenses separately	1	3 days	0.00
<input type="radio"/> OPTOUT-EA-ONLY License not needed: Customer already owns Licenses in an EA	1	3 days	0.00
<input type="radio"/> OPTOUT-ENTL-SWAP License not needed: Entitlements updated in Smart Account More	1	3 days	0.00

[Clear Selection](#) | [Show Incompatible SKUs](#)

Total: 0.00 | Estimated Lead Time: 7 days

[Reset Configuration](#) | [Cancel](#) | [Done](#)

a. Please select appropriate Reason Code

Step 29.

Bundle Configuration: UCSX-M8-XCELERATE | Estimated Lead Time: 182 days | Price List: Global Price List (USD) | Total: 695,048.97

Set service preferences for this configuration

1: Please note that you are using a promotional PID which is available ONLY IF qualified for the 'UCS X-Series Xccelerate' Program. For details on the program, PIs review Sales Connect, contact your Cisco Account Manager or reach out to ask-ucsx@external.cisco.com. We encourage you NOT to book this PID if you do not qualify. Order will be on hold after booking to check for eligibility. (CE202322)

2: Please note that Intersight is required selection and needed for the M8 Server to function. All orders with CNDL-DESELECT-D will be manually reviewed for Compliance. (CE202322)

3: Please note that each UCSX 9508 Chassis can consume maximum 8 Servers. You have more than 8 Servers selected than number of Chassis currently selected can consume. Please consider either increasing the QTY of Servers to get more Free Chassis or select Additional Spare Chassis. UCSX 9508-D+ (CE202322)

4: Please note that this order will be placed on a Compliance Hold. Please reach out to sac-support@cisco.com to check if this order meets eligibility criteria for hold removal. Note that the order will remain on compliance hold if you do not reach out to sac-support@cisco.com to request eligibility check. (CE202322)

Available Components

- UCS 9500 CHASSIS (Unit List Price: 0.00)
- UCSX-9508-NEW-D (Unit List Price: 8,530.96)
- UCSX MODULAR SERVER
- FABRIC INTERCONNECT
- CISCO INTERSIGHT

Product	Unit List Price (USD)	Adjusted List Price (USD)	Qty	Extended List Price (USD)
UCSX 9500 CHASSIS - 1 Selected (Min 1, Max 99)				
UCSX-9508-NEW-D (Valid)	1,335.00	1,335.00	1	1,335.00
UCSX MODULAR SERVER - 9 Selected (Min 6, Max 84)				
UCSX-215C-M8-U (Valid)	23,952.51	23,952.51	6	557,165.88
UCSX-215C-M8-FRE (Valid)	3,237.00	3,237.00	2	6,474.00
UCSX-440P-NEW-D (Valid)	99,696.03	99,696.03	1	99,696.03
FABRIC INTERCONNECT - 2 Selected (Min 1, Max 2)				
UCSX-FI-6536-NEW-D (Valid)	15,169.03	15,169.03	2	30,378.06
CISCO INTERSIGHT - 1 Selected (Min 1, Max 1)				
CNDL-DESELECT-D (Valid)	0.00	0.00	1	0.00

- Configuration for MLB is completed when status of each Product is Valid and warning messages are cleared.
- Click on the “PLUS” to expand and view the selections made for each Product.
- Click on the “DONE” to complete the MLB Configuration.

Step 30.

Cisco Intersight → DC-MGT-SAAS

Add by SKU Description and Product Family | Import Saved Configuration | Estimate Preferences

Lines View | Apply Success Track | Manage Groups | Remove Selected Lines | More Actions

Zero List Price Items: Hide / Show

Hardware, Software and Services	Estimated Lead Time (Days)	Unit List Price (USD)	Qty	Unit Net Price (USD)	Discounts (%)	Extended Net Price (USD)
1.0 UCSX-M8-XCELERATE Valid as of 07-Aug-2024 10:12:52 PDT UCS-X M8 Xccelerate Offer - Subject to approval	35	143,118.69	1	143,118.69	0.00	710,640.27

Edit Options | Validate | Recommended Content | Add Note | Add Subtotal | Copy | Remove Line

- a. Configuration of UCSX-M8-XCCELERATE is now Valid and Line No. 1.0 represents HW only Configuration.
- b. Intersight is a required selection, if you have not previously purchased Cisco Intersight Software and needs to added in Line 2.0 which will represent SW only Configuration.

Step 31.

The screenshot displays a configuration interface with the following elements:

- Diagram:** A green box labeled "Cisco Intersight" has a blue arrow pointing to a green box labeled "DC-MGT-SAAS".
- Interface Header:** Includes "Add by SKU Description and Product Family" (with a red box 'a' pointing to it), "Import Saved Configuration", and "Estimate Preferences".
- Table:**

Hardware, Software and Services	Estimated Lead Time (Days)	Unit List Price (USD)	Qty	Unit Net Price (USD)	Discounts (%)	Extended Net Price (USD)
1.0 UCSX-M8-XCCELERATE Valid as of 07-Aug-2024 10:12:52 PDT UCS-X M8 Xccelerate Offer - Subject to approval	35	143,118.69	1	143,118.69	0.00	710,640.27
2.0 DC-MGT-SAAS Valid as of 07-Aug-2024 10:16:10 PDT Cisco Intersight SaaS	3	0.00	1	0.00	0.00	0.00
- Buttons:** "Edit Options" (with a red box 'b' pointing to it), "Validate", "Recommended Content", "Add Note", "Add Subtotal", "Copy", and "Remove Line" are visible for each line item.

- a. In CCW, search for DC-MGT-SAAS and click on “ADD”.
- b. Intersight is a required selection, if you have not previously purchased Cisco Intersight Software. Click on Select Options to enter the configurator.

Step 32.

Cisco Intersight

Cisco Intersight SaaS
DC-MGT-SAAS NEW **DC-MGT-SAAS**

Current Terms and Billings

Requested Start Date 10-Aug-2024	Automatically Renews For ⓘ 12 Months on 10-Aug-2027
Requested For 36 Months From 10-Aug-2024 To 09-Aug-2027	Billing Frequency Prepaid Term

New Terms and Billing

Requested For > 36 Months from 10-Aug-2024 to 09-Aug-2027

a → Requested Start Date
10 Aug 2024
Enter a date between 07-Aug-2024 & 04-Nov-2024.

b → Auto Renewal
 On

Automatically Renews For ⓘ
12 Months on 10-Aug-2027
Enter any whole month value from 0-12

b → Billing Frequency ⓘ
Prepaid Term

End Date

b → Effective For 36 Months
Enter whole month count from 1 to 96

Co-Term to an End Date ⓘ

- a. **Requested Start Date (RSD)** It is recommended that when you book your SaaS Product, you select a Request Start Date (RSD) 90 days into the future.
- b. **End Date** (duration in months) is defaulted to **36 Months**, **Auto Renewal** (on/off) is defaulted to **On** and **Billing Frequency** is defaulted to **Prepaid Term**. You can still change the setting accordingly.

Step 33.

Cisco Intersight

DC-MGT-SAAS

Cisco Intersight SaaS
DC-MGT-SAAS NEW

Subscription USD 10,080.00 Service USD 0.00

Expand All Collapse All Reset Configuration

Cisco Intersight 2.0 Infrastructure Services 1 Added

PRODUCTS	UNIT LIST PRICE	STATUS	QUANTITY	ACTION
Cisco Intersight 2.0 Infrastructure Services				
Infrastructure Services SaaS/CVA - Essentials DC-MGT-IS-SAAS-ES SA	35.00 Per Device/Month	Added	8 Device	Delete
Infrastructure Services SaaS/CVA - Advantage DC-MGT-IS-SAAS-AD SA	Enter Qty to see List Price Per Device/Month	Not Added	Qty Device	+ Add
Infrastructure Services PVA - Essentials DC-MGT-IS-PVAPP-ES SA	Enter Qty to see List Price Per Device/Month	Not Added	Qty Device	+ Add
Infrastructure Services PVA - Advantage DC-MGT-IS-PVAPP-AD SA	Enter Qty to see List Price Per Device/Month	Not Added	Qty Device	+ Add
Add-Ons				
UCS Director - 1 Server License (includes Network, Storage) DC-MGT-IS-UCSD	Enter Qty to see List Price Per Device/Month	Not Added	Qty Device	+ Add

Cisco Intersight Workload Optimizer (IWO) - SaaS

Summary Terms Messages

Configuration Summary

Hide Included Items

PRODUCTS	QUANTITY	EXTENDED LIST PRICE
Cisco Intersight 2.0 Infrastructure Services		
DC-MGT-IS-SAAS-ES SA 35.00 Per Device/Month x 36 Months	8 Device	10,080.00
Cisco Intersight Support		
SVS-DCM-SUPT-BAS	1 Each	0.00
Auto Expansion		
DC-MGT-UCSC-1S SA	8 Device	0.00
DC-MGT-ADOPT-BAS	1 License	0.0000

- a. The quantity of Cisco Intersight 2.0 Infrastructure Services License under Offer: DC-MGT-SAAS should be equal to the quantity of Server selected. Enter the quantity.

Step 34.

Cisco Intersight

DC-MGT-SAAS

Cisco Intersight SaaS
DC-MGT-SAAS NEW

Subscription USD 10,080.00 Service USD 0.00

Expand All Collapse All Reset Configuration

Cisco Intersight Support 1 Added

PRODUCTS	UNIT LIST PRICE	STATUS	QUANTITY	ACTION
Cisco Intersight Support				
Solution Support for DC Mgmt SVS-SSTCS-DCMGMT SA	Enter Qty to see List Price Per Each/Month	Not Added	Qty Each	Swap
CXL1 for INTERSIGHT SVS-L1DCS-INTER SA	Enter Qty to see List Price Per Each/Month	Not Added	Qty Each	Swap
CXL2 for INTERSIGHT SVS-L2DCS-INTER SA	Enter Qty to see List Price Per Each/Month	Not Added	Qty Each	Swap
Basic Support for DCM SVS-DCM-SUPT-BAS	0.00 Per Each/Month	Added	1 Each	Delete

Summary Terms Messages

Configuration Summary

Hide Included Items

PRODUCTS	QUANTITY	EXTENDED LIST PRICE
Cisco Intersight 2.0 Infrastructure Services		
DC-MGT-IS-SAAS-ES SA 35.00 Per Device/Month x 36 Months	8 Device	10,080.00
Cisco Intersight Support		
SVS-DCM-SUPT-BAS	1 Each	0.00
Auto Expansion		
DC-MGT-UCSC-1S SA	8 Device	0.00
DC-MGT-ADOPT-BAS	1 License	0.0000

- a. The Cisco Intersight License comes with separate Support. Basic Embedded Support is the default selection. It is recommended that Customer should upgrade to Solution Support or CX Success Track L1 or L2 for the HW.

Step 35.

	Hardware, Software and Services	Estimated Lead Time (Days)	Unit List Price (USD)	Qty	Unit Net Price (USD)	Discounts (%)	Extended Net Price (USD)
1.0	UCSX-M8-XCELERATE Valid as of 07-Aug-2024 10:12:52 PDT UCS-X M8 Xccelerate Offer - Subject to approval	35	143,118.69	1	143,118.69	0.00	710,640.27
2.0	DC-MGT-SAAS Valid as of 07-Aug-2024 10:20:38 PDT Cisco Intersight SaaS	3	280.00	1	280.00	0.00	10,080.00

- Configuration for UCSX-M8-XCELERATE and DC-MGT-SAAS is now completed, and status of each Product is Valid.
- Click on the “PLUS” to expand and view the selections made for each Product

Scenario 2: Customer With Enterprise Agreement for Cisco Intersight Software License

Step 1.

CCW → UCSX-M8-XCELERATE

	Hardware, Software and Services	Estimated Lead Time (Days)	Unit List Price (USD)	Qty	Unit Net Price (USD)	Discounts (%)	Extended Net Price (USD)
1.0	UCSX-M8-XCELERATE Invalid as of 07-Aug-2024 03:51:35 PDT UCS-X M8 Xccelerate Offer - Subject to approval	Not Applicable	0.00	1	0.00	0.00	0.00

- In CCW, search for MLB PID and click on “Add”
- Click on “Select Options” to enter the configurator.

Step 2.

UCS 9500 Chassis

UCSX-9508-NEW-D

IFM

Power Supply

Power Cable

Bundle Configuration
UCSX-M8-XCELERATE

Estimated Lead Time
182 days

Price List
Global Price

Set service preferences for this configuration

1: FABRIC INTERCONNECT requires a minimum of 1 component(s). Please add additional quantities as necessary. (CE100010)

2: The category FABRIC INTERCONNECT is required. (CE100103)

3: CISCO INTERSIGHT requires a minimum of 1 component(s). Please add additional quantities as necessary. (CE100010)

4: The category CISCO INTERSIGHT is required. (CE100103)

5: Please note that you are using a promotional PID which is available ONLY IF qualified for the 'UCS X-Series Xccelerate' Program. For details on the program, Pls review Sales Connect, contact your Cisco Account Manager or reach out to ask-ucsx@external.cisco.com. We encourage you NOT to book this PID if you do not qualify. Order will be on hold after booking to check for eligibility. (CE202322)

Available Components

Unit List Price (USD)

UCS 9500 CHASSIS

UCSX-9508-NEW-D
Not sold standalone UCS 9508 Chassis w/o nodes 1 requi
red
Estimated Lead Time: 21 days

UCSX-9508-D=
UCS 9508 Chassis
Estimated Lead Time: --

UCSX MODULAR SERVER

FABRIC INTERCONNECT

CISCO INTERSIGHT

UCS 9500 CHASSIS > 1 Selected (Min 1, Max 99)

Product	Unit List Price (USD)	Adjusted List Price (USD)	Qty	Extended List Price (USD)
UCSX-9508-NEW-D Invalid Not sold standalone UCS 9508 Chassis w/o nodes Add Custom Name Edit Options Edit Services/Subscriptions Remove Line		445.00	1	445.00

Add a UCS 9500 CHASSIS from the left panel

UCSX MODULAR SERVER > 0 Selected (Min 6, Max 84)

Product	Unit List Price (USD)	Adjusted List Price (USD)	Qty	Extended List Price (USD)
UCSX-Z15C-M8-U Invalid UCS X215c M8 Compute Node 2S Add Custom Name Edit Options Edit Services/Subscriptions Remove Line		9,621.50	6	57,729.00

Add a UCSX MODULAR SERVER from the left panel

FABRIC INTERCONNECT > 0 Selected (Min 1, Max 2)

Add a FABRIC INTERCONNECT from the left panel

CISCO INTERSIGHT > 0 Selected (Min 1, Max 1)

Add a CISCO INTERSIGHT from the left panel

- UCSX-9508-NEW-D ATO is preselected with 1 QTY under MLB and can be selected up to 4 QTY.
- Notice the UCSX-9508-NEW-D ATO Status is invalid as further configuration needed
- Click on "Edit Options" to enter the configurator.

Step 3.

UCS 9500 Chassis

UCSX-9508-NEW-D → IFM
Power Supply
Power Cable

Product Configuration: UCSX-9508-NEW-D part of UCSX-M8-XCCFL/GRATE Estimated Lead Time: 21 days Price List: Global Total (USD): 0.00

Warnings:

- 1: The quantity of Power Cable must be equal to the quantity of Power Supply selected. Please adjust the quantity. (CE200050)
- 2: Please note that this order will be placed on a Compliance Hold. Please reach out to sac-support@cisco.com to check if this order meets eligibility criteria for hold removal. Note that the order will remain on compliance hold if you do not reach out to sac-support@cisco.com to request eligibility check. (CE202322)
- 3: Use Power Calculator to determine the correct power supply. The Power Calculator can be found at <http://ucspowercalc.cisco.com>. (CE200696)
- 4: UCSX-9508-NEW-D quantity 1 requires a minimum quantity of 2 from Intelligent Fabric Module (CE100012)

Configuration Summary

Category	Qty	Extended List Price (USD)
Intelligent Fabric Module		
Power		
UCSX-PSU-2800AC-D	6	0.00
X-Fabric Module		
Accessory		
UCSX-C-DEBUGCBL-D	1	0.00
UCSX SW		
UCSX-CHASSIS-SW-D	1	0.00
Chassis Expansion		
Total		0.00
Estimated Lead Time		21 days

Intelligent Fabric Module

SKU	Qty	Estimated Lead Time	Unit List Price (USD)
<input type="radio"/> UCSX-I-9108-25G-D UCS 9108-25G IFM for 9508 Chassis	2	21 days	0.00
<input type="radio"/> UCSX-I9108-100G-D UCS 9108-100G IFM for 9508 Chassis	2	21 days	0.00

Buttons: Reset Configuration, Cancel, Done

- Configure UCSX-9508-NEW-D by selecting Intelligent Fabric Module, X-Fabric Module (if UCSX-440P-NEW-D is required) and Power Cables from category window on the left.
- Follow warning messages to configure the minimum required selections under Chassis.
- Click on “Done”

Step 4.

UCS 9500 Chassis

UCSX-9508-NEW-D

IFM

Power Supply

Power Cable

Bundle Configuration: UCSX-M8-XCELERATE
Estimated Lead Time: 182 days
Price List: Global Price List (USD)

Set service preferences for this configuration

1: FABRIC INTERCONNECT requires a minimum of 1 component(s). Please add additional quantities as necessary. (CE100010)
2: The category FABRIC INTERCONNECT is required. (CE100103)
3: CISCO INTERSIGHT requires a minimum of 1 component(s). Please add additional quantities as necessary. (CE100010)
4: The category CISCO INTERSIGHT is required. (CE100103)
5: Please note that you are using a promotional PID which is available ONLY IF qualified for the 'UCS X-Series Xcelerate' Program. For details on the program, Pls review Sales Connect, contact your Cisco Account Manager or reach out to ask-ucsx@external.cisco.com. We encourage you NOT to book this PID if you do not qualify. Order will be on hold after booking to check for eligibility. (CE202322)

Available Components	Unit List Price (USD)	Product	Unit List Price (USD)	Adjusted List Price (USD)	Qty	Extended List Price (USD)
UCS 9500 CHASSIS		UCSX-9508-NEW-D Valid		445.00	1	445.00
UCSX-9508-NEW-D Not sold standalone UCS 9508 Chassis w/o nodes 1 required	0.00	UCSX-215C-M8-U Invalid	9,621.50		6	57,729.00
UCSX-9508-D+ UCS 9508 Chassis	8,530.96					

- a. Note Status is now showing as Valid.
- b. Increase the quantity for multiples of same configuration.
- c. Click the “PLUS” to add and configure the same product with different option/quantities.

Step 5.

UCS 9500 Chassis

UCSX-9508-NEW-D

➔

Services/Subscriptions

Bundle Configuration UCSX-M8-XCELERATE	Estimated Lead Time 182 days	Price List Global Price List (USD)	Total 58,174.00
---	---------------------------------	---------------------------------------	--------------------

Set service preferences for this configuration Cancel Done

⚠️ 1: FABRIC INTERCONNECT requires a minimum of 1 component(s). Please add additional quantities as necessary. (CE100010)

2: The category FABRIC INTERCONNECT is required. (CE100103)

3: CISCO INTERSIGHT requires a minimum of 1 component(s). Please add additional quantities as necessary. (CE100010)

4: The category CISCO INTERSIGHT is required. (CE100103)

5: Please note that you are using a promotional PID which is available ONLY IF qualified for the 'UCS X-Series Xcelerate' Program. For details on the program. Pls review Sales Connect, contact your Cisco Account Manager or reach out to ask-ucsx@external.cisco.com. We encourage you NOT to book this PID if you do not qualify. Order will be on hold after booking to check for eligibility. (CE202322)

Available Components	Unit List Price (USD)	UCS 9500 CHASSIS > 1 Selected (Min 1, Max 99)	Unit List Price (USD)	Adjusted List Price (USD)	Qty	Extended List Price (USD)
<div style="border: 1px solid #ccc; padding: 5px; margin-bottom: 5px;"> UCS 9500 CHASSIS </div> <div style="border: 1px solid #ccc; padding: 5px; margin-bottom: 5px;"> UCSX-9508-NEW-D <small>Not sold standalone UCS 9508 Chassis w/o nodes 1 requi</small> red <small>Estimated Lead Time: 21 days</small> </div> <div style="border: 1px solid #ccc; padding: 5px;"> UCSX-9508-D# <small>UCS 9508 Chassis</small> <small>Estimated Lead Time: 21 days</small> </div>	0.00	<div style="border: 1px solid #ccc; padding: 5px; margin-bottom: 5px;"> UCSX 9500 CHASSIS </div> <div style="border: 1px solid #ccc; padding: 5px; margin-bottom: 5px;"> UCSX-9508-NEW-D <small>Valid</small> <small>Not sold standalone UCS 9508 Chassis w/o nodes</small> a <small>Add Custom Name Edit Options Edit Services/Subscriptions Remove Line</small> <small>Add a UCS 9500 CHASSIS from the left panel</small> </div>	445.00	445.00	1	445.00
<div style="border: 1px solid #ccc; padding: 5px; margin-bottom: 5px;"> UCSX MODULAR SERVER </div> <div style="border: 1px solid #ccc; padding: 5px; margin-bottom: 5px;"> FABRIC INTERCONNECT </div> <div style="border: 1px solid #ccc; padding: 5px;"> CISCO INTERSIGHT </div>	8,530.96	<div style="border: 1px solid #ccc; padding: 5px; margin-bottom: 5px;"> UCSX MODULAR SERVER > 6 Selected (Min 6, Max 84) </div> <div style="border: 1px solid #ccc; padding: 5px; margin-bottom: 5px;"> UCSX-215C-M8-U <small>Invalid</small> <small>UCS X215c M8 Compute Node 2S</small> <small>Add Custom Name Edit Options Edit Services/Subscriptions Remove Line</small> <small>Add a UCSX MODULAR SERVER from the left panel</small> </div>	9,621.50	57,729.00	6	57,729.00
		<div style="border: 1px solid #ccc; padding: 5px; margin-bottom: 5px;"> FABRIC INTERCONNECT > 0 Selected (Min 1, Max 2) </div>				Add a FABRIC INTERCONNECT from the left panel
		<div style="border: 1px solid #ccc; padding: 5px; margin-bottom: 5px;"> CISCO INTERSIGHT > 0 Selected (Min 1, Max 1) </div>				Add a CISCO INTERSIGHT from the left panel

a. Click on “Edit Services/Subscriptions” to edit Term Duration for HW Support.

Note: It is recommended that Term Duration for HW Support must align with Software Subscription Duration.

Step 6.

UCS 9500 Chassis

UCSX-9508-NEW-D → **Services/Subscriptions**

Service Subscription: UCSX-9508-NEW-D | Price List: Global Price List in US Dollars (USD) | Service Total (USD): 1,335.00 | 0.00

Service | Non Serviceable Products

The duration that you entered has been successfully applied to all the services. (C0329)

Service Options

Choose Service Level from: All Service Programs

Search by Name & Description

Note: Cisco may still install another compatible service if required. Compatible services are the services that come with primary service and are based on products.

Time Duration: Duration (36) | Delay service start to | Co-Term service to

Buttons: Reset, **Apply**

Service SKU	Product SKU	Unit List Price (USD)	Qty	Total List Price (USD)
Cisco Customer Experience Level 1 (1 ITEM) SERVICE PROGRAM	L1NCO (CX LEVEL 1 8X7XNCDOS) SUMMARY			
CON-L1NCO-UCSX5958 CX LEVEL 1 8X7XNCDOS Not sold standalone UCS 95...	UCSX-9508-NEW-D Not sold standalone UCS 9508 Chassis w/o nodes	1,335.00	1	1,335.00

Buttons: Remove All Services, Remove All Additional Services

Configuration Summary: All prices shown in USD

Services

Buttons: Cancel, **Done**

- a. Enter the Term Duration
- b. Click on “Apply” and “Done”

Step 7.

Bundle Configuration: UCSX-M8-XCELERATE
Estimated Lead Time: 182 days

Set service preferences for this configuration

1: FABRIC INTERCONNECT requires a minimum of 1 component(s). Please add additional quantities as necessary. (CE100010)
 2: The category FABRIC INTERCONNECT is required. (CE100103)
 3: CISCO INTERSIGHT requires a minimum of 1 component(s). Please add additional quantities as necessary. (CE100010)
 4: The category CISCO INTERSIGHT is required. (CE100103)
 5: Please note that you are using a promotional PID which is available ONLY IF qualified for the 'UCS X-Series Xcelerate' Program. For details on the program, PIs review Sales Connect, contact your Cisco Account Manager or reach out to ask-ucsx@external.cisco.com. We encourage you NOT to book this PID if you do not qualify. Order will be on hold after booking to check for eligibility. (CE2023Z2)

Available Components	Unit List Price (USD)
UCS 9500 CHASSIS	
UCSX-9508-NEW-D Not sold standalone UCS 9508 Chassis w/o nodes 1 requi red	0.00
UCSX-9508-D= UCS 9508 Chassis	8,530.96
UCSX MODULAR SERVER	
FABRIC INTERCONNECT	
CISCO INTERSIGHT	

Product	Unit List Price (USD)	Adjusted List Price (USD)	Qty	Extended List Price (USD)
UCSX-9508-NEW-D Valid		1,335.00	1	1,335.00
Add a UCS 9500 CHASSIS from the left panel				
MODULAR SERVER > 6 Selected (Min 6, Max 64)				
UCSX-215C-M8-U Invalid		9,621.50	6	57,729.00
Add a UCSX MODULAR SERVER from the left panel				
FABRIC INTERCONNECT > 0 Selected (Min 1, Max 2)				
Add a FABRIC INTERCONNECT from the left panel				
CISCO INTERSIGHT > 0 Selected (Min 1, Max 1)				
Add a CISCO INTERSIGHT from the left panel				

- a. Please note that each UCSX 9508 Chassis can consume maximum 8 Servers. If You have more number of Servers selected than number of Chassis currently you have can consume, consider selecting Additional Spare Chassis: UCSX-9508-D=

Step 8.

UCSX Modular Server

UCSX-215C-M8-U

CPU

Memory

Drives

Bundle Configuration: UCSX-M8-XCELERATE
 Estimated Lead Time: 182 days
 Price List: Global Price List

Set service preferences for this configuration

1: FABRIC INTERCONNECT requires a minimum of 1 component(s). Please add additional quantities as necessary. (CE100010)
 2: The category FABRIC INTERCONNECT is required. (CE100103)
 3: CISCO INTERSIGHT requires a minimum of 1 component(s). Please add additional quantities as necessary. (CE100010)
 4: The category CISCO INTERSIGHT is required. (CE100103)
 5: Please note that you are using a promotional PID which is available ONLY IF qualified for the 'UCS X-Series Xcelerate' Program. For details on the program, Pls review Sales Connect, contact your Cisco Account Manager or reach out to ask-ucsx@external.cisco.com. We encourage you NOT to book this PID if you do not qualify. Order will be on hold after booking to check for eligibility. (CE202322)

Available Components	Unit List Price (USD)
UCS 9500 CHASSIS	
UCSX MODULAR SERVER	
UCSX-215C-M8-U UCS X215c M8 Compute Node 2S 6 required Estimated Lead Time: 182 days	8,542.50
UCSX-215C-M8-FRE UCS X215c M8 R2L Free Compute Node 2S Estimated Lead Time: --	0.00
UCSX-440P-NEW-D UCS X-Series Gen4 PCIe node for XCellerate Offer Estimated Lead Time: 21 days	0.03
FABRIC INTERCONNECT	
CISCO INTERSIGHT	

UCS 9500 CHASSIS > 1 Selected (Min 1, Max 99)	Unit List Price (USD)	Adjusted List Price (USD)	Qty	Extended List Price (USD)
UCSX-9508-NEW-D Valid Not sold standalone UCS 9508 Chassis w/o nodes Add Custom Name Edit Options Edit Services/Subscriptions Remove Line		1,335.00	1	1,335.00
Add a UCS 9500 CHASSIS from the left panel				
UCSX MODULAR SERVER > 6 Selected (Min 6, Max 84)	Unit List Price (USD)	Adjusted List Price (USD)	Qty	Extended List Price (USD)
UCSX-215C-M8-U Invalid UCS X215c M8 Compute Node 2S Add Custom Name Edit Options Edit Services/Subscriptions Remove Line	9,621.50		6	57,729.00
Add a UCSX MODULAR SERVER from the left panel				
FABRIC INTERCONNECT > 0 Selected (Min 1, Max 2) Add a FABRIC INTERCONNECT from the left panel				
CISCO INTERSIGHT > 0 Selected (Min 1, Max 1) Add a CISCO INTERSIGHT from the left panel				

- Paid Node: UCSX-215C-M8-U is preselected with 6 QTY under MLB and can be selected up to 32 QTY.
- Notice the UCSX-215C-M8-U ATO Status is invalid as further configuration needed.
- Select 'Edit Options' to enter the configurator.

Step 9.

UCSX Modular Server

UCSX-215C-M8-U **CPU**
Memory
Drives

Product Configuration: UCSX-215C-M8-U part of UCSX-M8-XCELERATE Estimated Lead Time: 182 days Price List: Global Price List in US Dollars (USD) Total (USD): 8,542.50

Configuration Summary View Full Summary

Category Qty Extended List Price (USD)

Processor Qty Estimated Lead Time Unit List Price (USD)

SKU	Qty	Estimated Lead Time	Unit List Price (USD)
UCSX-CPU-A9654	Qty	182 days	22,661.77
UCSX-CPU-A9124	Qty	45 days	3,543.27
UCSX-CPU-A9224	Qty	45 days	5,320.59
UCSX-CPU-A9254	Qty	182 days	6,552.21
UCSX-CPU-A9334	Qty	182 days	8,390.16

Total 8,542.50
Estimated Lead Time 182 days

Reset Configuration Cancel Done

- a. Configure UCSX-215C-M8-U by selecting peripherals from category window on the left.
- b. PIDs are listed in the window on the right. Some PIDs like Memory and Drives are grouped according to type or series; select from the grouped options located above SKU window on the right.
- c. Follow warning messages to configure the minimum required option PIDs.
- d. Select Done when completed.

Step 10.

UCSX Modular Server

UCSX-215C-M8-U

CPU
Memory
Drives

Bundle Configuration: UCSX-M8-XCELERATE
Estimated Lead Time: 182 days
Price List: Global Price List (USD)

Set service preferences for this configuration

1: FABRIC INTERCONNECT requires a minimum of 1 component(s). Please add additional quantities as necessary. (CE100010)
2: The category FABRIC INTERCONNECT is required. (CE100103)
3: CISCO INTERSIGHT requires a minimum of 1 component(s). Please add additional quantities as necessary. (CE100010)
4: The category CISCO INTERSIGHT is required. (CE100103)
5: Please note that you are using a promotional PID which is available ONLY IF qualified for the 'UCS X-Series Xcelerate' Program. For details on the program, pls review Sales Connect, contact your Cisco Account Manager or reach out to ask-ucsx@external.cisco.com. We encourage you NOT to book this PID if you do not qualify. Order will be on hold after booking to check for eligibility. (CE202322)

Available Components	Unit List Price (USD)
UCS 9500 CHASSIS	
UCSX MODULAR SERVER	
UCSX-215C-M8-U UCS X215c M8 Compute Node 2S 6 required Estimated Lead Time: 182 days	8,542.50
UCSX-215C-M8-FRE UCS X215c M8 R2L Free Compute Node 2S Estimated Lead Time: --	0.00
UCSX-440P-NEW-D UCS X-Series Gen4 PCIe node for XCellerate Offer Estimated Lead Time: 21 days	0.03
FABRIC INTERCONNECT	
CISCO INTERSIGHT	

Product	Unit List Price (USD)	Adjusted List Price (USD)	Qty	Extended List Price (USD)
UCSX-9508-NEW-D Valid Not sold standalone UCS 9508 Chassis w/o nodes			1	1,335.00
UCSX MODULAR SERVER > 6 Selected (Min 6, Max 84)			6	544,217.88
FABRIC INTERCONNECT > 0 Selected (Min 1, Max 2)				
CISCO INTERSIGHT > 0 Selected (Min 1, Max 1)				

- Note Status is now showing as Valid.
- Increase the quantity for multiples of same configuration.
- Click the “PLUS” to add and configure the same product with different option/quantities or select a different product.

Step 11.

UCSX Modular Server

UCSX-215C-M8-U

Services/Subscriptions

Bundle Configuration: UCSX-M8-XCELERATE
 Estimated Lead Time: 182 days
 Price List: Global Price List (USD)
 Total: 545,552.88

Set service preferences for this configuration

1: FABRIC INTERCONNECT requires a minimum of 1 component(s). Please add additional quantities as necessary. (CE100010)
 2: The category FABRIC INTERCONNECT is required. (CE100103)
 3: CISCO INTERSIGHT requires a minimum of 1 component(s). Please add additional quantities as necessary. (CE100010)
 4: The category CISCO INTERSIGHT is required. (CE100103)
 5: Please note that you are using a promotional PID which is available ONLY IF qualified for the 'UCS X-Series Xcelerate' Program. For details on the program, PIs review Sales Connect, contact your Cisco Account Manager or reach out to ask-ucsx@external.cisco.com. We encourage you NOT to book this PID if you do not qualify. Order will be on hold after booking to check for eligibility. (CE202322)

Available Components	Unit List Price (USD)
UCS 9500 CHASSIS	
UCSX MODULAR SERVER	
UCSX-215C-M8-U UCS X215c M8 Compute Node 2S 6 required Estimated Lead Time: 182 days	8,542.50
UCSX-215C-M8-FRE UCS X215c M8 R2L Free Compute Node 2S Estimated Lead Time: --	0.00
UCSX-440P-NEW-D UCS X-Series Gen4 PCIe node for XCellerate Offer Estimated Lead Time: 21 days	0.03
FABRIC INTERCONNECT	
CISCO INTERSIGHT	

Product	Unit List Price (USD)	Adjusted List Price (USD)	Qty	Extended List Price (USD)
UCSX-9508-NEW-D Not sold standalone UCS 9508 Chassis w/o nodes		1,335.00	1	1,335.00
UCSX MODULAR SERVER > 6 Selected (Min 6, Max 84)				
UCSX-215C-M8-U UCS X215c M8 Compute Node 2S		21,794.51	6	544,217.88
FABRIC INTERCONNECT > 0 Selected (Min 1, Max 2)				
CISCO INTERSIGHT > 0 Selected (Min 1, Max 1)				

a. Click on “Edit Services/Subscriptions” to edit Term Duration for HW Support.

Note: It is recommended that Term Duration for HW Support must align with Software Subscription Duration.

Step 12.

UCSX Modular Server

UCSX-215C-M8-U → **Services/Subscriptions**

Service Subscription: UCSX-215C-M8-U
 Price List: Global Price List in US Dollars (USD)
 Service Total (USD): 3,237.00
 Subscription Total (USD): 0.00

Service Options

Choose Service Level from: All Service Programs

Time Duration: Duration (selected), Delay service start to, Co-Term service to

Duration:

Buttons:

Service SKU	Product SKU	Unit List Price (USD)	Qty	Total List Price (USD)
Cisco Customer Experience Level 1 (1 ITEM)	L1NCO (CX LEVEL 1 8X7XNCDOS)			
CON-L1NCO-UCSX2CMU		3,237.00	1	3,237.00
CX LEVEL 1 8X7XNCDOS UCS X215c M8 Compute N...	UCSX-215C-M8-U		1	

Buttons:

Configuration Summary | All prices shown in USD

Buttons:

- a. Enter the Term Duration
- b. Click on “Apply” and “Done”

Step 13.

UCSX Modular Server

UCSX-215C-M8-FRE

CPU

Memory

Drives

Bundle Configuration: UCSX-M8-XCELERATE
 Estimated Lead Time: 182 days
 Price List: Global Pr
 Total: 60,658.88

Set service preferences for this configuration

1: FABRIC INTERCONNECT requires a minimum of 1 component(s). Please add additional quantities as necessary. (CE100010)
 2: The category FABRIC INTERCONNECT is required. (CE100103)
 3: CISCO INTERSIGHT requires a minimum of 1 component(s). Please add additional quantities as necessary. (CE100010)
 4: The category CISCO INTERSIGHT is required. (CE100103)
 5: Please note that you are using a promotional PID which is available ONLY IF qualified for the 'UCS X-Series Xccelerate' Program. For details on the program, pls review Sales Connect, contact your Cisco Account Manager or reach out to ask-ucsx@external.cisco.com. We encourage you NOT to book this PID if you do not qualify. Order will be on hold after booking to check for eligibility. (CE202322)

Available Components

Component	Unit List Price (USD)
UCS 9500 CHASSIS	
UCSX MODULAR SERVER	
UCSX-215C-M8-U UCS X215c M8 Compute Node 2S 6 required Estimated Lead Time: 182 days	8,542.50
UCSX-215C-M8-FRE UCS X215c M8 R2L Free Compute Node 2S Estimated Lead Time: --	0.00
UCSX-440P-NEW-D UCS X-Series Gen4 PCIe node for Xccelerate Offer Estimated Lead Time: 21 days	0.03
FABRIC INTERCONNECT	
CISCO INTERSIGHT	

UCS 9500 CHASSIS > 1 Selected (Min 1, Max 99)

Product	Unit List Price (USD)	Adjusted List Price (USD)	Qty	Extended List Price (USD)
UCSX-9508-NEW-D Valid Not sold standalone UCS 9508 Chassis w/o nodes Add Custom Name Edit Options Edit Services/Subscriptions Remove Line			1	1,335.00

UCSX MODULAR SERVER > 8 Selected (Min 6, Max 84)

Product	Unit List Price (USD)	Adjusted List Price (USD)	Qty	Extended List Price (USD)
UCSX-215C-M8-U Valid UCS X215c M8 Compute Node 2S Add Custom Name Edit Options Edit Services/Subscriptions Remove Line	23,952.51		6	557,165.88
UCSX-215C-M8-FRE Invalid UCS X215c M8 R2L Free Compute Node 2S Add Custom Name Edit Options Edit Services/Subscriptions Remove Line	1,079.00		2	2,158.00

FABRIC INTERCONNECT > 0 Selected (Min 1, Max 2)

- Free Node: UCSX-215C-M8-FRE is an optional selection and can be selected with minimum 2 QTY and max 10 QTY
- Notice the UCSX-215C-M8-FRE ATO Status is invalid as further configuration needed.
- Click on 'Edit Option' to enter the configurator.

Note: Configuration of Paid Node and Free Node should be identical.

Step 14.

UCSX Modular Server

UCSX-215C-M8-FRE → **CPU**, **Memory**, **Drives**

Product Configuration: UCSX-215C-M8-FRE part of UCSX-M8-XCELERATOR Estimated Lead Time: 21 days Price List: Global Price List in US Dollars (USD) 0.00

Configuration Summary

Category	Qty	Extended List Price (USD)
Processor		
Memory		
Front MEZZ - Controller		
Rear MEZZ - MLOM/PCI		
Storage Drives		
SATA M.2		
NVMe Boot		
Security Options		
XSeries ComputeNode SW		
Total		0.00
Estimated Lead Time		21 days

Processor Options

SKU	Qty	Estimated Lead Time	Unit List Price (USD)
UCSX-CPU-A9654	Qty	182 days	0.00
UCSX-CPU-A9124	Qty	45 days	0.00
UCSX-CPU-A9224	Qty	45 days	0.00
UCSX-CPU-A9254	Qty	182 days	0.00
UCSX-CPU-A9334	Qty	182 days	0.00

Warnings:

- 1: A selection from Infrastructure and Workload is required. Please adjust the selections. (CE200277)
- 2: A selection of either UCSX-ML-V5Q50G-D or UCSX-MLV5D200GV2D from Rear MEZZ - MLOM/PCI is required. Please adjust the selections. (CE200096)
- 3: UCSX-215C-M8-FRE quantity 1 requires a minimum quantity of 1 from Processor (CE100012)
- 4: UCSX-215C-M8-FRE quantity 1 requires a minimum quantity of 1 from Security Options (CE100012)

Buttons: Cancel, Done

- Configure UCSX-215C-M8-FRE by selecting peripherals from category window on the left.
- PIDs are listed in the window on the right. Some PIDs like Memory and storage drives are grouped according to type or series; select from the grouped options located above SKU window on the right.
- Follow warning messages to configure the minimum required option PIDs.
- Click on “Done” when completed.

Step 15.

UCSX Modular Server

UCSX-215C-M8-FRE

CPU

Memory

Drives

Bundle Configuration: UCSX-M8-XCELERATE
 Estimated Lead Time: 182 days
 Price List: Global Price List (USD)
 560,658.88

Set service preferences for this configuration

1: FABRIC INTERCONNECT requires a minimum of 1 component(s). Please add additional quantities as necessary. (CE100010)
 2: The category FABRIC INTERCONNECT is required. (CE100103)
 3: CISCO INTERSIGHT requires a minimum of 1 component(s). Please add additional quantities as necessary. (CE100010)
 4: The category CISCO INTERSIGHT is required. (CE100103)
 5: Please note that you are using a promotional PID which is available ONLY IF qualified for the 'UCSX X-Series Xccelerate' Program. For details on the program, pls review Sales Connect, contact your Cisco Account Manager or reach out to ask-ucsx@external.cisco.com. We encourage you NOT to book this PID if you do not qualify. (CE202322)

Available Components	Unit List Price (USD)
UCS 9500 CHASSIS	
UCSX MODULAR SERVER	
UCSX-215C-M8-U UCS X215c M8 Compute Node 2S 6 required Estimated Lead Time: 182 days	8,542.50
UCSX-215C-M8-FRE UCS X215c M8 R2L Free Compute Node 2S Estimated Lead Time: --	0.00
UCSX-440P-NEW-D UCS X-Series Gen4 PCIe node for Xccelerate Offer Estimated Lead Time: 21 days	0.03
FABRIC INTERCONNECT	
CISCO INTERSIGHT	

UCS 9500 CHASSIS > 1 Selected (Min 1, Max 99)	Unit List Price (USD)	Adjusted List Price (USD)	Qty	Extended List Price (USD)
UCSX-9508-NEW-D Valid Not sold standalone UCS 9508 Chassis w/o nodes	1,335.00		1	1,335.00

UCSX MODULAR SERVER > 8 Selected (Min 6, Max 84)	Unit List Price (USD)	Adjusted List Price (USD)	Qty	Extended List Price (USD)
UCSX-215C-M8-U Valid UCS X215c M8 Compute Node 2S	23,952.51		6	557,165.88
UCSX-215C-M8-FRE Valid UCS X215c M8 R2L Free Compute Node 2S	1,079.00		2	2,158.00

FABRIC INTERCONNECT > 0 Selected (Min 1, Max 2)

- Note Status is now showing as "Valid".
- Increase the quantity for multiples of same configuration.
- Click the "PLUS" to add and configure the same product with different option/quantities or select a different product.

Step 16.

UCSX Modular Server

UCSX-215C-M8-FRE

Services/Subscriptions

Bundle Configuration	Estimated Lead Time	Price List	Total
UCSX-M8-ACCELERATE	182 days	Global Price List (USD)	560,658.88

Get service preferences for this configuration Cancel Done

1: FABRIC INTERCONNECT requires a minimum of 1 component(s). Please add additional quantities as necessary. (CE100010)

2: The category FABRIC INTERCONNECT is required. (CE100103)

3: CISCO INTERSIGHT requires a minimum of 1 component(s). Please add additional quantities as necessary. (CE100010)

4: The category CISCO INTERSIGHT is required. (CE100103)

5: Please note that you are using a promotional PID which is available ONLY IF qualified for the 'UCS X-Series Xcelerate' Program. For details on the program, Pls review Sales Connect, contact your Cisco Account Manager or reach out to ask-ucsx@external.cisco.com. We encourage you NOT to book this PID if you do not qualify. Order will be on hold after booking to check for eligibility. (CE202322)

Available Components	Unit List Price (USD)	UCS 9500 CHASSIS > 1 Selected (Min 1, Max 99)	UCSX MODULAR SERVER > 8 Selected (Min 6, Max 84)																																																																	
<ul style="list-style-type: none"> UCS 9500 CHASSIS UCSX MODULAR SERVER UCSX-215C-M8-U UCS X215c M8 Compute Node 2S 6 required Estimated Lead Time: 182 days + UCSX-215C-M8-FRE UCS X215c M8 R2L Free Compute Node 2S Estimated Lead Time: -- + UCSX-440P-NEW-D UCS X-Series Gen4 PCIe node for Xcelerate Offer Estimated Lead Time: 21 days + FABRIC INTERCONNECT CISCO INTERSIGHT 		<table border="1" style="width: 100%; border-collapse: collapse;"> <thead> <tr> <th>Product</th> <th>Unit List Price (USD)</th> <th>Adjusted List Price (USD)</th> <th>Qty</th> <th>Extended List Price (USD)</th> </tr> </thead> <tbody> <tr> <td>UCSX-9508-NEW-D Valid ⚠</td> <td></td> <td>1,335.00</td> <td style="border: 1px solid gray; width: 40px; text-align: center;">1</td> <td>1,335.00</td> </tr> <tr> <td colspan="5"><small>Not sold standalone UCS 9508 Chassis w/o nodes</small></td> </tr> <tr> <td colspan="5"><small>Add Custom Name Edit Options Edit Services/Subscriptions Remove Line</small></td> </tr> <tr> <td colspan="5" style="text-align: center;"><small>Add a UCS 9500 CHASSIS from the left panel</small></td> </tr> </tbody> </table>	Product	Unit List Price (USD)	Adjusted List Price (USD)	Qty	Extended List Price (USD)	UCSX-9508-NEW-D Valid ⚠		1,335.00	1	1,335.00	<small>Not sold standalone UCS 9508 Chassis w/o nodes</small>					<small>Add Custom Name Edit Options Edit Services/Subscriptions Remove Line</small>					<small>Add a UCS 9500 CHASSIS from the left panel</small>					<table border="1" style="width: 100%; border-collapse: collapse;"> <thead> <tr> <th>Product</th> <th>Unit List Price (USD)</th> <th>Adjusted List Price (USD)</th> <th>Qty</th> <th>Extended List Price (USD)</th> </tr> </thead> <tbody> <tr> <td>UCSX-215C-M8-U Valid 🔒</td> <td></td> <td>23,952.51</td> <td style="border: 1px solid gray; width: 40px; text-align: center;">6</td> <td>557,165.88</td> </tr> <tr> <td colspan="5"><small>UCS X215c M8 Compute Node 2S</small></td> </tr> <tr> <td colspan="5"><small>Add Custom Name Edit Options Edit Services/Subscriptions Remove Line</small></td> </tr> <tr> <td>UCSX-215C-M8-FRE Valid 🔒</td> <td></td> <td>1,079.00</td> <td style="border: 1px solid gray; width: 40px; text-align: center;">2</td> <td>2,158.00</td> </tr> <tr> <td colspan="5"><small>UCS X215c M8 R2L Free Compute Node 2S</small></td> </tr> <tr> <td colspan="5"><small>Add Custom Name Edit Options Edit Services/Subscriptions Remove Line</small></td> </tr> <tr> <td colspan="5" style="text-align: center;"><small>Add a UCSX MODULAR SERVER from the left panel</small></td> </tr> </tbody> </table>	Product	Unit List Price (USD)	Adjusted List Price (USD)	Qty	Extended List Price (USD)	UCSX-215C-M8-U Valid 🔒		23,952.51	6	557,165.88	<small>UCS X215c M8 Compute Node 2S</small>					<small>Add Custom Name Edit Options Edit Services/Subscriptions Remove Line</small>					UCSX-215C-M8-FRE Valid 🔒		1,079.00	2	2,158.00	<small>UCS X215c M8 R2L Free Compute Node 2S</small>					<small>Add Custom Name Edit Options Edit Services/Subscriptions Remove Line</small>					<small>Add a UCSX MODULAR SERVER from the left panel</small>				
Product	Unit List Price (USD)	Adjusted List Price (USD)	Qty	Extended List Price (USD)																																																																
UCSX-9508-NEW-D Valid ⚠		1,335.00	1	1,335.00																																																																
<small>Not sold standalone UCS 9508 Chassis w/o nodes</small>																																																																				
<small>Add Custom Name Edit Options Edit Services/Subscriptions Remove Line</small>																																																																				
<small>Add a UCS 9500 CHASSIS from the left panel</small>																																																																				
Product	Unit List Price (USD)	Adjusted List Price (USD)	Qty	Extended List Price (USD)																																																																
UCSX-215C-M8-U Valid 🔒		23,952.51	6	557,165.88																																																																
<small>UCS X215c M8 Compute Node 2S</small>																																																																				
<small>Add Custom Name Edit Options Edit Services/Subscriptions Remove Line</small>																																																																				
UCSX-215C-M8-FRE Valid 🔒		1,079.00	2	2,158.00																																																																
<small>UCS X215c M8 R2L Free Compute Node 2S</small>																																																																				
<small>Add Custom Name Edit Options Edit Services/Subscriptions Remove Line</small>																																																																				
<small>Add a UCSX MODULAR SERVER from the left panel</small>																																																																				
		FABRIC INTERCONNECT > 0 Selected (Min 1, Max 2)																																																																		

a. Click on “Edit Services/Subscriptions” to edit Term Duration for HW Support.

Note: It is recommended that Term Duration for HW Support must align with Software Subscription Duration.

Step 17.

UCSX Modular Server

UCSX-215C-M8-FRE → **Services/Subscriptions**

Service Subscription UCSX-215C-M8-FRE	Price List Global Price List in US Dollars (USD)	Service Total (USD) 3,237.00	Subscription Total (USD) 0.00
--	---	---------------------------------	----------------------------------

You may receive additional discounts because you selected two or more years of service. To review your discounts you can go to the Order or Quoting discount pages. (C0124)

Service | Non Serviceable Products

The duration that you entered has been successfully applied to all the services. (C0329)

Service Options

Choose Service Level from: All Service Programs

Search by Name & Description

Note: Cisco may still install another compatible service if required. Compatible services are the services that come with primary service and are based on products.

Time Duration Duration

Duration
 Delay service start to
 Co-Term service to

Duration:

Service SKU	Product SKU	Unit List Price (USD)	Qty	Total List Price (USD)
Cisco Customer Experience Level 1 (1 ITEM) SERVICE PROGRAM CON-L1NCO-UCSX2FRE CX LEVEL 1 8X7XNCDOS UCS X215c M8 R2L Free C... SERVICE SKU Change Service Remove Service	L1NCO (CX LEVEL 1 8X7XNCDOS) SUMMARY Duration 36 Months UCSX-215C-M8-FRE UCS X215c M8 R2L Free Compute Node 2S PRODUCT SKU	3,237.00	1	3,237.00

Configuration Summary | All prices shown in USD

Services

- a. Enter the Term Duration.
- b. Click on “Apply” and “Done”

Step 18.

UCSX Refuse to Lose M8 Offer

PAID vs Free Server Node QTY Ratio

PAID Node (UCSX-215C-M8-U)	Free Node (UCSX-215C-M8-FRE)	Free Chassis (UCSX-9508-NEW-D)	Additional Chassis (UCSX-9508-D=)	Free Fabric Interconnect (UCSX-FI-6536-NEW-D/ UCSX-FI-6454-NEW-D)
Min QTY Required	QTY Allowed	QTY Allowed	Required (Y/N)	QTY Allowed
6	2	1	N	2
9	3	1	Y	
12	4	2	N	
15	5	2	Y	
18	6	3	N	
21	7	3	Y	
24	8	3	Y	
27	9	4	Y	
30	10	4	Y	

Step 19.

Bundle Configuration
UCSX-M8-XCELERATE
Estimated Lead Time
182 days
Global Price List (USD)

Set service preferences for this configuration

1: FABRIC INTERCONNECT requires a minimum of 1 component(s). Please add additional quantities as necessary. (CE100010)
 2: The category FABRIC INTERCONNECT is required. (CE100103)
 3: CISCO INTERSIGHT requires a minimum of 1 component(s). Please add additional quantities as necessary. (CE100010)
 4: The category CISCO INTERSIGHT is required. (CE100103)
 5: Please note that you are using a promotional PID which is available ONLY IF qualified for the 'UCSX X-Series Xcelerate' Program. For details on the program, Pls review Sales Connect, contact your Cisco Account Manager or reach out to ask-ucsx@external.cisco.com. We encourage you NOT to book this PID if you do not qualify. Order will be on hold after booking to check for eligibility. (CE202322)
 6: Please note that each UCSX-9508-NEW-D requires minimum 6 Servers. You can increase number of Servers up to the number of Chassis quantity listed in the summary. Please consider the license for the CPU of Server to be added.

UCSX-440P-NEW-D has been added to the bundle category UCSX MODULAR SERVER.

Available Components	Unit List Price (USD)
UCS 9500 CHASSIS	
UCSX MODULAR SERVER	
UCSX-215C-M8-U UCS X215c M8 Compute Node 2S 6 required Estimated Lead Time: 182 days	8,542.50
UCSX-215C-M8-FRE UCS X215c M8 R2L Free Compute Node 2S Estimated Lead Time: --	0.00
UCSX-440P-NEW-D UCS X-Series Gen4 PCIe node for XCellerate Offer Estimated Lead Time: 21 days	0.03
FABRIC INTERCONNECT	
CISCO INTERSIGHT	

UCS 9500 CHASSIS > 1 Selected (Min 1, Max 99)	Unit List Price (USD)	Adjusted List Price (USD)	Qty	Extended List Price (USD)
UCSX-9508-NEW-D Valid Not sold standalone UCS 9508 Chassis w/o nodes Add Custom Name Edit Options Edit Services/Subscriptions Remove Line		1,335.00	1	1,335.00

Add a UCS 9500 CHASSIS from the left panel

UCSX MODULAR SERVER > 9 Selected (Min 6, Max 84)	Unit List Price (USD)	Adjusted List Price (USD)	Qty	Extended List Price (USD)
UCSX-215C-M8-U Valid UCS X215c M8 Compute Node 2S Add Custom Name Edit Options Edit Services/Subscriptions Remove Line		23,952.51	6	557,165.88
UCSX-215C-M8-FRE Valid UCS X215c M8 R2L Free Compute Node 2S Add Custom Name Edit Options Edit Services/Subscriptions Remove Line		3,237.00	2	6,474.00
UCSX-440P-NEW-D Invalid UCS X-Series Gen4 PCIe node for XCellerate Offer Add Custom Name Select Options Remove Line		0.03	1	0.03

- Select UCSX-440P-NEW-D ATO from under MLB by clicking the "PLUS".
- Notice the UCSX-440P-NEW-D ATO Status is invalid as further configuration needed
- Click on "Select Options" to enter the configurator.

Step 20.

The screenshot displays the configuration page for the UCSX-440P-NEW-D server. At the top, a diagram shows the server (UCSX-440P-NEW-D) connected to GPU and PCIe Riser components. The main interface includes a Configuration Summary table on the left and a list of GPU options on the right. A red arrow labeled 'a' points to the 'GPU Options' section in the summary table. Another red arrow labeled 'b' points to the 'Done' button at the bottom of the configuration area. The GPU options table lists various SKUs with their quantities, estimated lead times, and unit list prices.

SKU	Qty	Estimated Lead Time	Unit List Price (USD)
UCSX-GPU-A16-D NVIDIA A16 PCIe 250W 4X16GB, wPWR CBL	2	42 days	10,291.10
UCSX-GPU-A40-D TESLA A40 RTX, PASSIVE, 300W, 48GB, wPWR CBL	2	42 days	16,536.73
UCSX-GPU-A100-80-D TESLA A100, PASSIVE, 300W, 80GB, wPWR CBL	2	42 days	56,280.00
UCSX-GPU-L4 NVIDIA L4 Tensor Core, 70W, 24GB	4	42 days	10,854.00
UCSX-GPU-L40 NVIDIA L40 300W, 48GB wPWR CBL	2	42 days	29,898.75
UCSX-GPU-L40S NVIDIA L40S: 350W, 48GB, 2-slot FHFL GPU	2	42 days	39,094.50
UCSX-GPU-H100-80 NVIDIA H100: 350W, 80GB, 2-slot FHFL GPU	2	21 days	99,696.00
UCSX-GPU-FLEX140 Intel GPU Flex 140, Gen4x8, HHR, 75W PCIe	4	42 days	8,589.74
UCSX-GPU-FLEX170 Intel GPU Flex 170, Gen4x16, HHR, 150W PCIe	2	42 days	10,150.50
UCSX-GPU-H100-NVL NVIDIA H100 NVL, 400W, 94GB, 2-slot FHFL GPU	Qty	129 days	99,696.00

- Configure GPU PCIe Node: UCSX-440P-NEW-D by selecting GPU and appropriate Riser will get auto expand.
- Click on “Done”

Note:

- Must select X-Fabric Module: UCSX-F-9416-D under Chassis: UCSX-9508-NEW-D and/or UCSX-9508-D=.
- QTY of UCSX-440P-NEW-D must be less than or equal to UCSX-215C-M8-U and UCSX-215C-M8-FRE.

Step 21.

UCSX Modular Server

UCSX-440P-NEW-D → **GPU**
PCIe Riser

Bundle Configuration: UCSX-M8-XCELERATE
Estimated Lead Time: 182 days
Price: Global Price List (USD)

Set service preferences for this configuration

1: FABRIC INTERCONNECT requires a minimum of 1 component(s). Please add additional quantities as necessary. (CE100010)
2: The category FABRIC INTERCONNECT is required. (CE100103)
3: CISCO INTERSIGHT requires a minimum of 1 component(s). Please add additional quantities as necessary. (CE100010)
4: The category CISCO INTERSIGHT is required. (CE100103)
5: Please note that you are using a promotional PID which is available ONLY IF qualified for the 'UCS X-Series Xcelerate' Program. For details on the program, Pls review Sales Connect, contact your Cisco Account Manager or reach out to ask-ucsx@external.cisco.com. We encourage you NOT to book this PID if you do not qualify. Order will be on hold after booking to check for eligibility. (CE202322)

Available Components	Unit List Price (USD)
UCS 9500 CHASSIS	
UCSX MODULAR SERVER	
UCSX-215C-M8-U UCS X215c M8 Compute Node 2S 6 required Estimated Lead Time: 182 days	8,542.50
UCSX-215C-M8-FRE UCS X215c M8 R2L Free Compute Node 2S Estimated Lead Time: --	0.00
UCSX-440P-NEW-D UCS X-Series Gen4 PCIe node for Xcelerate Offer Estimated Lead Time: 21 days	0.03
FABRIC INTERCONNECT	
CISCO INTERSIGHT	

Product	Unit List Price (USD)	Adjusted List Price (USD)	Qty	Extended List Price (USD)
UCSX-9508-NEW-D Valid Not sold standalone UCS 9508 Chassis w/o nodes		1,335.00	1	1,335.00
UCSX-215C-M8-U Valid UCS X215c M8 Compute Node 2S	23,952.51		6	557,165.88
UCSX-215C-M8-FRE Valid UCS X215c M8 R2L Free Compute Node 2S	3,237.00		2	6,474.00
UCSX-440P-NEW-D Valid UCS X-Series Gen4 PCIe node for Xcelerate Offer	99,696.03		1	99,696.03

- Note Status is now showing as Valid.
- Increase the quantity for multiples of same configuration.
- Click on the “Plus” to add and configure the same product with different option/quantities or select a different product.

Step 22.

Fabric Interconnect

UCSX-FI-6536-NEW-D

Software Image
Software License
Power Supply

Available Components	Unit List Price (USD)
UCS 9500 CHASSIS	
UCSX MODULAR SERVER	
FABRIC INTERCONNECT	
UCSX-FI-6536-NEW-D XCellerate offer for Fabric Interconnect 6536 for IMM Estimated Lead Time: 21 days	0.03
UCSX-FI-6454-NEW-D XCellerate offer for Fabric Interconnect 6454 Estimated Lead Time: 21 days	0.00
OPT-OUT Opt Out Estimated Lead Time: 7 days	0.00
CISCO INTERSIGHT	

UCS 9500 CHASSIS > 1 Selected (Min 1, Max 99)				
Product	Unit List Price (USD)	Adjusted List Price (USD)	Qty	Extended List Price (USD)
UCSX-9508-NEW-D Valid Not sold standalone UCS 9508 Chassis w/o nodes Add Custom Name Edit Options Edit Services/Subscriptions Remove Line	1,335.00		1	1,335.00

UCSX MODULAR SERVER > 9 Selected (Min 6, Max 84)				
Product	Unit List Price (USD)	Adjusted List Price (USD)	Qty	Extended List Price (USD)
UCSX-215C-M8-U Valid UCS X215c M8 Compute Node 2S Add Custom Name Edit Options Edit Services/Subscriptions Remove Line	23,952.51		6	557,165.88
UCSX-215C-M8-FRE Valid UCS X215c M8 R2L Free Compute Node 2S Add Custom Name Edit Options Edit Services/Subscriptions Remove Line	3,237.00		2	6,474.00
UCSX-440P-NEW-D Valid UCS X-Series Gen4 PCIe node for XCellerate Offer Add Custom Name Edit Options Remove Line	99,696.03		1	99,696.03

FABRIC INTERCONNECT > 2 Selected (Min 1, Max 2)				
Product	Unit List Price (USD)	Adjusted List Price (USD)	Qty	Extended List Price (USD)
UCSX-FI-6536-NEW-D Invalid XCellerate offer for Fabric Interconnect 6536 for IMM Add Custom Name Edit Options Edit Services/Subscriptions Remove Line	11,093.03		2	22,186.06

CISCO INTERSIGHT > 0 Selected (Min 1, Max 1)				
--	--	--	--	--

- Select UCSX-FI-6536-NEW-D ATO with 2 QTY under MLB by clicking the “Plus”
- Notice the UCSX-FI-6536-NEW-D ATO Status is invalid as further configuration needed
- Click on “Edit Options” to enter the configurator.

Step 23.

Fabric Interconnect

UCSX-FI-6536-NEW-D

Software Image
Software License
Power Supply

Product Configuration: UCSX-FI-6536-NEW-D part of UCSX-M9-XCELERATE | Estimated Lead Time: 21 days | Price List: Global Price List in U.S.

1: Please note that this order will be placed on a Compliance Hold. Please reach out to sac-support@cisco.com to check if this order meets eligibility criteria for hold removal. Note that the order will remain on compliance hold if you do not reach out to sac-support@cisco.com to request eligibility check. (CE202322)

2: Please note that due to lead time issues we have decided to remove some of the low selling optics PIDs from the FI bundle. This PIDs are still orderable as spare. Complete list of optics and cable PID is available in the product spec sheet. (CE202322)

3: UCS-FI-6500-SW is defaulted under Software License. (CE100033)

Configuration Summary View Full Summary

Category	Qty	Extended List Price (USD)
Software Image		
N10-MGT018-D	1	0.00
Software License		
UCS-FI-6500-SW	1	9,045.00
Power Supply		
UCS-PSU-6536-AC-D	2	0.00
Power Cable		
Transceiver and Cable		
QSFP Cable		
Total		9,045.03
Estimated Lead Time		21 days

Reset Configuration | Cancel | Done

Option Search | **Multiple Options Search**

UCSX-FI-6536-NEW-D > Power Cable

Power Cable

SKU	Qty	Estimated Lead Time	Unit List Price (USD)
<input type="radio"/> NO-POWER-CORD ECO friendly green option, no power cable will be shipped More	2	3 days	0.00
<input type="radio"/> CAB-C13-C14-3M-IN Power Cord Jumper, C13-C14 Connectors, 3 Meter Length, India More	2	91 days	0.00
<input type="radio"/> CAB-C13-C14-2M Power Cord Jumper, C13-C14 Connectors, 2 Meter Length	2	35 days	0.00
<input type="radio"/> CAB-C13-C14-AC Power cord, C13 to C14 (recessed receptacle), 10A	2	7 days	0.00
<input type="radio"/> CAB-C13-C14-IN Power Cord Jumper, C13-C14 Connectors, 1.4 Meter Length India More	2	28 days	0.00

- a. Configure UCSX-FI-6536-NEW-D by selecting peripherals from window on the left. Software Image, Software License and Power Supply are default selection.
- b. PIDs are listed in the window on the right. Please make selection of Power Cable.
- c. Transceiver Cable and QSFP Cables are Optional selection.
- d. Click on "Done" when completed

Step 24.

Fabric Interconnect

UCSX-FI-6536-NEW-D

Software Image

Software License

Power Supply

Available Components	Unit List Price (USD)
UCS 9500 CHASSIS	
UCSX MODULAR SERVER	
FABRIC INTERCONNECT	
UCSX-FI-6536-NEW-D XCellerate offer for Fabric Interconnect 6536 for IMM Estimated Lead Time: 21 days	0.03
UCSX-FI-6454-NEW-D XCellerate offer for Fabric Interconnect 6454 Estimated Lead Time: 21 days	0.00
OPT-OUT Opt Out Estimated Lead Time: 7 days	0.00
CISCO INTERSIGHT	

Product	Unit List Price (USD)	Adjusted List Price (USD)	Qty	Extended List Price (USD)
UCSX-9508-NEW-D Valid		1,335.00	1	1,335.00
Not sold standalone UCS 9508 Chassis w/o nodes				
Add Custom Name Edit Options Edit Services/Subscriptions Remove Line				
Add a UCS 9500 CHASSIS from the left panel				
Product	Unit List Price (USD)	Adjusted List Price (USD)	Qty	Extended List Price (USD)
UCSX-215C-M8-U Valid		23,952.51	6	557,165.88
UCS X215c M8 Compute Node 2S				
Add Custom Name Edit Options Edit Services/Subscriptions Remove Line				
UCSX-215C-M8-FRE Valid		3,237.00	2	6,474.00
UCS X215c M8 R2L Free Compute Node 2S				
Add Custom Name Edit Options Edit Services/Subscriptions Remove Line				
UCSX-440P-NEW-D Valid		99,696.03	1	99,696.03
UCS X-Series Gen4 PCIe node for XCellerate Offer				
Add Custom Name Edit Options Remove Line				
Add a UCSX MODULAR SERVER from the left panel				
Product	Unit List Price (USD)	Adjusted List Price (USD)	Qty	Extended List Price (USD)
UCSX-FI-6536-NEW-D Valid a		11,093.03	2	22,186.06
XCellerate offer for Fabric Interconnect 6536 for IMM				
Add Custom Name Edit Options Edit Services/Subscriptions Remove Line				
CISCO INTERSIGHT > 0 Selected (Min 1, Max 1)				

a. Note Status is now showing as Valid.

Step 25.

Fabric Interconnect

UCSX-FI-6536-NEW-D

Services/Subscriptions

Available Components	Unit List Price (USD)
UCS 9500 CHASSIS	
UCSX MODULAR SERVER	
FABRIC INTERCONNECT	
UCSX-FI-6536-NEW-D XCellerate offer for Fabric Interconnect 6536 for IMM Estimated Lead Time: 21 days	0.03
UCSX-FI-6454-NEW-D XCellerate offer for Fabric Interconnect 6454 Estimated Lead Time: 21 days	0.00
OPT-OUT Opt Out Estimated Lead Time: 7 days	0.00
CISCO INTERSIGHT	

Product	Unit List Price (USD)	Adjusted List Price (USD)	Qty	Extended List Price (USD)
UCSX-9508-NEW-D Valid		1,335.00	1	1,335.00
Not sold standalone UCS 9508 Chassis w/o nodes				
Add Custom Name Edit Options Edit Services/Subscriptions Remove Line				
Add a UCS 9500 CHASSIS from the left panel				
Product	Unit List Price (USD)	Adjusted List Price (USD)	Qty	Extended List Price (USD)
UCSX-215C-M8-U Valid		23,952.51	6	557,165.88
UCS X215c M8 Compute Node 2S				
Add Custom Name Edit Options Edit Services/Subscriptions Remove Line				
UCSX-215C-M8-FRE Valid		3,237.00	2	6,474.00
UCS X215c M8 R2L Free Compute Node 2S				
Add Custom Name Edit Options Edit Services/Subscriptions Remove Line				
UCSX-440P-NEW-D Valid		99,696.03	1	99,696.03
UCS X-Series Gen4 PCIe node for XCellerate Offer				
Add Custom Name Edit Options Remove Line				
Add a UCSX MODULAR SERVER from the left panel				
Product	Unit List Price (USD)	Adjusted List Price (USD)	Qty	Extended List Price (USD)
UCSX-FI-6536-NEW-D Valid a		11,093.03	2	22,186.06
XCellerate offer for Fabric Interconnect 6536 for IMM				
Add Custom Name Edit Options Edit Services/Subscriptions Remove Line				
CISCO INTERSIGHT > 0 Selected (Min 1, Max 1)				

- a. Click on “Edit Services/Subscriptions” to edit Term Duration for HW Support.

Note: It is recommended that Term Duration for HW Support must align with Software Subscription Duration.

Step 26.

Fabric Interconnect

UCSX-FI-6536-NEW-D → **Services/Subscriptions**

Service Subscription	Price List	Service Total (USD)	Subscription Total (USD)
UCSX-FI-6536-NEW-D	Global Price List in US Dollars (USD)	6,144.00	0.00

Service Options

Choose Service Level from: All Service Programs

Time Duration: Duration, Delay service start to, Co-Term service to

Duration:

Buttons:

Service SKU	Product SKU	Unit List Price (USD)	Qty	Total List Price (USD)
Cisco Customer Experience Level 1 (1 ITEM)	L1NCO (CX LEVEL 1 8X7XNCDOS)			
CON-L1NCO-UCSXWFI6	UCSX-FI-6536-NEW-D	6,144.00	1	6,144.00

Buttons:

Configuration Summary | All prices shown |

- a. Enter the Term Duration
- b. Click on “Apply” and “Done”

Step 27.

The screenshot displays a configuration interface with the following sections:

- Available Components:**
 - UCS 9500 CHASSIS
 - UCSX MODULAR SERVER
 - FABRIC INTERCONNECT
 - CISCO INTERSIGHT
 - DC-MGT-SAAS (Cisco Intersight SaaS) - Price: 0.00
 - CNDL-DESELECT-D (Conditional Deselect, Estimated Lead Time: 7 days) - Price: 0.00
- UCS 9500 CHASSIS > 1 Selected (Min 1, Max 99):**

Product	Unit List Price (USD)	Adjusted List Price (USD)	Qty	Extended List Price (USD)
UCSX-9508-NEW-D Valid		1,335.00	1	1,335.00
- UCSX MODULAR SERVER > 9 Selected (Min 6, Max 84):**

Product	Unit List Price (USD)	Adjusted List Price (USD)	Qty	Extended List Price (USD)
UCSX-215C-M8-U Valid	23,952.51		6	557,165.88
UCSX-215C-M8-FRE Valid	3,237.00		2	6,474.00
UCSX-440P-NEW-D Valid	99,696.03		1	99,696.03
- FABRIC INTERCONNECT > 2 Selected (Min 1, Max 2):**

Product	Unit List Price (USD)	Adjusted List Price (USD)	Qty	Extended List Price (USD)
UCSX-FI-6536-NEW-D Valid	15,189.03		2	30,378.06
- CISCO INTERSIGHT > 1 Selected (Min 1, Max 1):**

Product	Unit List Price (USD)	Adjusted List Price (USD)	Qty	Extended List Price (USD)
CNDL-DESELECT-D Conditional Deselect	0.00		1	0.00

- a. CNDL-DESELECT-D is meant to select only if Customer has already purchased Cisco Intersight License via EA Contract or order is for Disti Fulfillment.

Note: Please note that Intersight is required selection and needed for the M8 Server to function. All orders with CNDL-DESELECT-D will be manually reviewed for Compliance.

Step 28.

Cisco Intersight



CNDL-DESELECT-D

Product Configuration: CNDL-DESELECT-D part of UCSX-MB-XCELERATE | Estimated Lead Time: 7 days | Price List: Global Price List in US Dollars (USD) | Total (USD): 0.00

Configuration Summary [View Full Summary](#)

Category: **a** | Qty: 1 | Extended List Price (USD): 0.00

Reason Codes

SKU	Qty	Estimated Lead Time	Unit List Price (USD)
<input checked="" type="radio"/> OPTOUT-DISTI-ONLY For Disti when ordering mandatory licenses separately	1	3 days	0.00
<input type="radio"/> OPTOUT-EA-ONLY License not needed: Customer already owns Licenses in an EA	1	3 days	0.00
<input type="radio"/> OPTOUT-ENTL-SWAP License not needed: Entitlements updated in Smart Account. More	1	3 days	0.00

Clear Selection | Show Incompatible SKUs

Total: 0.00 | Estimated Lead Time: 7 days

[Reset Configuration](#) [Cancel](#) [Done](#)

a. Please select appropriate Reason Code

Step 29.

Bundle Configuration: UCSX-MB-XCELERATE | Estimated Lead Time: 182 days | Price List: Global Price List (USD) | Total: 695,048.97

Available Components

- UCS 9500 CHASSIS (0.00)
- UCSX-9508-NEW-D (8,530.96)
- UCSX-9508-D+ (8,530.96)
- UCSX MODULAR SERVER
- FABRIC INTERCONNECT
- CISCO INTERSIGHT

UCS 9500 CHASSIS > 1 Selected (Min 1, Max 99)

Product	Unit List Price (USD)	Adjusted List Price (USD)	Qty	Extended List Price (USD)
UCSX-9508-NEW-D Valid ⚠️ Not sold standalone UCS 9508 Chassis w/o nodes	1,335.00	1,335.00	1	1,335.00

UCSX MODULAR SERVER > 9 Selected (Min 6, Max 84)

Product	Unit List Price (USD)	Adjusted List Price (USD)	Qty	Extended List Price (USD)
UCSX-215C-MB-U Valid ⚠️ UCS X215c MB Compute Node 2S	23,952.51	23,952.51	6	557,165.88
UCSX-215C-MB-FRE Valid ⚠️ UCS X215c MB RZL Free Compute Node 2S	3,237.00	3,237.00	2	6,474.00
UCSX-440P-NEW-D Valid ⚠️ UCS X-Series Gen4 PCIe node for XCellerate Offer	90,696.03	90,696.03	1	90,696.03

FABRIC INTERCONNECT > 2 Selected (Min 1, Max 2)

Product	Unit List Price (USD)	Adjusted List Price (USD)	Qty	Extended List Price (USD)
UCSX-FI-6536-NEW-D Valid ⚠️ XCellerate offer for Fabric Interconnect 6536 for IMM	15,189.03	15,189.03	2	30,378.06

CISCO INTERSIGHT > 1 Selected (Min 1, Max 1)

Product	Unit List Price (USD)	Adjusted List Price (USD)	Qty	Extended List Price (USD)
CNDL-DESELECT-D Valid ⚠️ Conditional Deselect	0.00	0.00	1	0.00

Annotations:
 - **a**: Points to the 'PLUS' icon next to the UCSX-440P-NEW-D product.
 - **b**: Points to the 'PLUS' icon next to the UCS 9500 CHASSIS product.
 - **c**: Points to the 'DONE' button in the top right corner.

a. Configuration for MLB is completed when status of each Product Price is Valid and warning messages are cleared.

b. Click on the “PLUS” to expand and view the selections made for each Product.

c. Click on the “DONE” to complete the MLB Configuration.