

Cisco Fourth-Generation LTE Network Interface Module Software Configuration Guide

First Published: 2015-05-26

Cisco Fourth-Generation LTE Network Interface Module Software Configuration Guide

This document provides an overview of the software features and configuration information for Cisco Fourth-Generation (4G) Long-Term Evolution (LTE) Network Interface Module (NIM) on Cisco 4000 Series Integrated Services Router (ISR).

Cisco 4G LTE NIM is the first wireless NIM that addresses the modular 4G LTE cellular connectivity on the Cisco 4000 Series ISRs. For Cisco 4G LTE NIM SKUs, faceplate, and LED descriptions, see the Cisco Fourth-Generation LTE Network Interface Module Installation Guide .

Finding Feature Information

Your software release may not support all the features documented in this module. For the latest feature information and caveats, see the release notes for your platform and software release. To find information about the features documented in this module, see [Cisco 4G LTE NIM Features, on page 5](#).

Use Cisco Feature Navigator to find information about platform support and Cisco software image support. To access Cisco Feature Navigator, go to <http://www.cisco.com/go/cfn> . An account on Cisco.com is not required.

Overview of Cisco 4G LTE NIM

Cisco 4G LTE NIM addresses the modular 4G LTE cellular connectivity on the Cisco 4000 Series ISRs. This is the first wireless NIM, though it is not the first wireless module in the ISR product line. The closest modular card to Cisco 4G LTE NIM is the Cisco EHWIC 4G LTE, which accepts a single LTE modem. Cisco 4G LTE NIM is feature-compatible with Cisco EHWIC 4G LTE.

Cisco 4G LTE NIMs support the following 4G/3G modes:

- **4G LTE**—4G LTE mobile specification provides multi-megabit bandwidth, more efficient radio network, latency reduction, and improved mobility. LTE solutions target new cellular networks. These networks initially support up to 100 Mb/s peak rates in the downlink and up to 50 Mb/s peak rates in the uplink. The throughput of these networks is higher than the existing 3G networks
- **3G Evolution High-Speed Packet Access (HSPA/HSPA+)**—HSPA is a UMTS-based 3G network. It supports High-Speed Downlink Packet Access (HSDPA) and High-Speed Uplink Packet Access (HSUPA) data for improved download and upload speeds. Evolution High-Speed Packet Access (HSPA+) supports Multiple Input/Multiple Output (MIMO) antenna capability.
- **3G Evolution-Data Optimized (EVDO or DOrA) Mode**—EVDO is a 3G telecommunications standard for the wireless transmission of data through radio signals, typically for broadband Internet access. DOrA

refers to EVDO Rev-A. EVDO uses multiplexing techniques including Code Division Multiple Access (CDMA), as well as Time Division Multiple Access (TDMA), to maximize both individual users' throughput and the overall system throughput.

The following table describes the Cisco 4G LTE NIM SKUs.

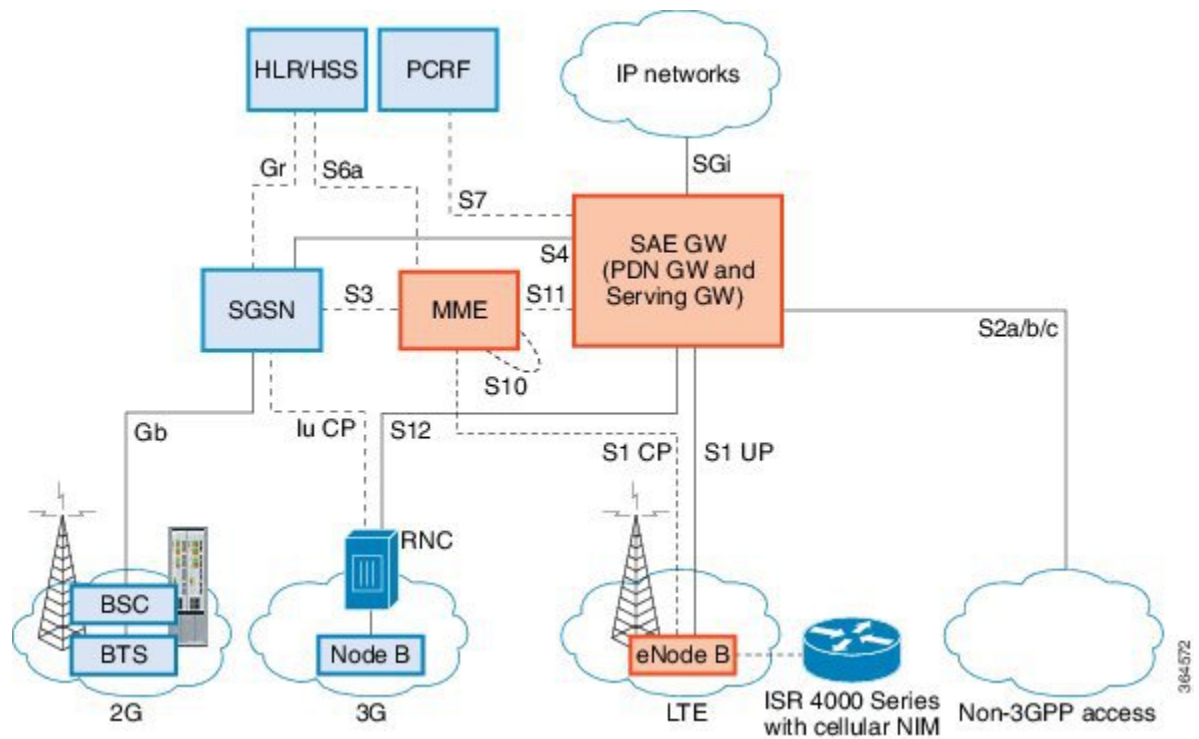
Table 1: Cisco 4G LTE NIM SKUs

Cisco 4G LTE NIM	Description	Mode	Operating Regions	Frequency Band
NIM-4G-LTE-GA NIM-4G-LTE-GA= (Spare) NIM-4G-LTE-GA++= (TAA Spare)	Cisco LTE 2.0 4G NIM for global Wireless networks (Europe, Australia and so on). This SKU is based on Sierra Wireless MC7304 modem.	<ul style="list-style-type: none"> • LTE • HSPA+ • UMTS 	Global	LTE: <ul style="list-style-type: none"> • 800 MHz • 900 MHz • 1800 MHz • 2100 MHz • 2600 MHz UMTS/HSPA+ <ul style="list-style-type: none"> • 850 MHz • 900 MHz • 1900 MHz • 2100 MHz
NIM-4G-LTE-NA NIM-4G-LTE-NA= (Spare) NIM-4G-LTE-NA++= (TAA Spare)	Cisco LTE 2.0 4G NIM for wireless networks in North America (AT&T and Canada). This SKU is based on Sierra Wireless MC7354 modem.	<ul style="list-style-type: none"> • LTE • HSPA+ • UMTS 	North America (AT&T and Canada)	LTE: <ul style="list-style-type: none"> • 700 MHz • 1900 MHz • AWS UMTS, HSPA+: <ul style="list-style-type: none"> • 850 MHz • 900 MHz • 1900 MHz
NIM-4G-LTE-VZ NIM-4G-LTE-VZ= (Spare) NIM-4G-LTE-VZ++= (TAA Spare)	Cisco LTE 2.0 4G NIM for Verizon wireless networks. This SKU is based on Sierra Wireless MC7350 modem.	<ul style="list-style-type: none"> • LTE • EVDO Rev-A • 1xRTT 	North America (Verizon)	LTE: <ul style="list-style-type: none"> • AWS • 700 MHz EVDO Rev A/ 1xRTT: <ul style="list-style-type: none"> • band class 0 • band class 1 • band class 10

Cisco 4G LTE NIM	Description	Mode	Operating Regions	Frequency Band
NIM-4G-LTE-ST NIM-4G-LTE-ST= (Spare) NIM-4G-LTE-ST+= (TAA Spare)	Cisco LTE 2.0 4G NIM for Sprint wireless networks. This SKU is based on Sierra Wireless MC7350 modem.	<ul style="list-style-type: none"> • LTE • EVDO Rev-A • 1xRTT 	North America (Sprint)	LTE: <ul style="list-style-type: none"> • PCS 1900 MHz EVDO Rev A/ 1xRTT: <ul style="list-style-type: none"> • band class 0 • band class 1 • band class 10

The following figure explains the 4G LTE NIM packet core network architecture.

Figure 1: 4G LTE NIM Packet Core Network Architecture



Gateways	<p>The Serving Gateway (SGW) routes and forwards user data packets, while also acting as the mobility anchor for the user plane, and is the anchor for mobility between LTE and other 3GPP technologies. The Packet Data Network (PDN) Gateway (PGW) provides connectivity from the User Equipment (UE) to external packet data networks by being the point of exit and entry of traffic for the UE.</p> <p>A UE may have simultaneous connectivity with more than one PGW for accessing multiple PDNs. The PGW performs policy enforcement, packet filtering for each user, charging support, lawful interception, and packet screening. Another key role of the PGW is to act as the anchor for mobility between 3GPP and non-3GPP technologies such as WiMAX and 3GPP2 (CDMA 1X and EvDO).</p> <p>The System Architecture Evolution GW (SAE GW) is the entity that covers the PGW and SGW functionality in the Evolved Packet Core (EPC).</p>
RNC	The Radio Network Controller (RNC) is responsible for controlling the Radio Access Network (RAN) that are connected to it. The RNC carries out radio resource management and some of the mobility management functions and is the point where encryption is done before user data is sent to and from the mobile. The RNC connects to the Circuit-Switched Core Network through the Media Gateway (MGW).
BTS	Base Transceiver Station.
BSC	Base Station Controller.
SGSN	Service GPRS Support Node.

Prerequisites for Configuring Cisco 4G LTE NIM

- If the signal is not good at the router, use the Cisco offered antenna accessories and extension cables to place the antenna away from router in a better coverage area.
- You must have 4G LTE NIM network coverage where your router is physically placed. For a complete list of supported carriers, see the product data sheet <http://www.cisco.com/c/en/us/products/collateral/routers/4000-series-integrated-services-routers-isr/datasheet-C78-734341.html>.
- You must subscribe to a service plan with a wireless service provider and obtain a Subscriber Identity Module (SIM) card.
- You must install the SIM card before configuring the 4G LTE NIM or Cisco 4000 series router. For instructions on how to install the SIM card, see the [Configuring a SIM for Data Calls, on page 16](#) for more information.
- The standalone antenna that supports GPS capabilities must be installed for the GPS feature to work. See the [Cisco 4G Indoor/Outdoor Active GPS Antenna \(GPS-ACT-ANTM-SMA\)](#) document for installation information.

Restrictions for Configuring Cisco 4G LTE NIM

- Currently, cellular networks support only user initiated bearer establishment.
- Due to the shared nature of wireless communications, the experienced throughput varies depending on the number of active users or congestion in a given network.

- Cellular networks have higher latency compared to wired networks. Latency rates depend on the technology and carrier. Latency also depends on the signal conditions and can be higher because of network congestion.
- Public Land Mobile Network (PLMN) selection feature is not supported.
- Any restrictions that are part of the terms of service from your carrier.
- SMS—Only one text message up to 160 characters to one recipient at a time is supported. Larger texts are automatically truncated to the proper size before being sent.
- It is strongly recommended that you configure SNMP V3 with authentication/privacy when implementing SNMP SET operation.

Features not supported in 4G LTE NIM

Cisco 4G LTE NIMs do not support the following features compared to Classic IOS:

- TTY support or Line
- NEMO
- Chat scripts
- External Dialer

Cisco 4G LTE NIM Features

Cisco 4G LTE NIMs support the following major features:

- Global Positioning System (GPS) and National Marine Electronics Association (NMEA) streaming.
- Short Message Service (SMS)
- 3G/4G Simple Network Management Protocol (SNMP) MIB
- Virtual diagnostic monitoring
- Mobile Equipment Personalization (MEP) lock and unlock capabilities
- SIM lock and unlock capabilities

The following sections explain the Cisco 4G LTE NIM features:

4G GPS and NMEA

Effective with Cisco IOS Release 15.3(3)M and later releases, the Global Positioning System (GPS) feature is enabled by default on the supported 4G LTE ISRs and Cisco 4G LTE NIMs to provide the geographical location. Both GPS and NMEA features must be configured for GPS coordinates to be obtained.

Active GPS is supported on the SubMiniature version A (SMA) port. Active GPS antenna is supported only in the standalone mode. An Active GPS antenna includes a built-in Low-Noise Amplifier that provides sufficient gain to overcome coaxial cable losses while providing the proper signal level to the GPS receiver. Active GPS antennae require power from the GPS receiver SMA port to operate. See the [#unique_10](#) for more information.

National Marine Electronics Association (NMEA) streams GPS data either from a 4G LTE NIM through a virtual COM port and a TCP/IP Ethernet connection to any marine device (such as a Windows-based PC) that runs a commercially available GPS-based application.

The following GPS and NMEA features are supported on the Cisco 4G LTE NIMs.

- GPS standalone mode (satellite-based GPS).

Example: Connecting to a Server Hosting a GPS Application

- Cisco IOS CLI display coordinates.
- Virtual and physical serial ports can export NMEA-formatted GPS data.
- External application displays router map location.
- Objects in the CISCO-WAN-3G-MIB supports GPS and NMEA features.
- The Cisco 4G LTE NIMs only support NMEA over IP and uses show commands in the platform.



Note Assisted GPS mode is not supported.

For instructions on setting up the GPS antenna, see the [Cisco 4G Indoor/Outdoor Active GPS Antenna \(GPS-ACT-ANTM-SMA\)](#) document.

Example: Connecting to a Server Hosting a GPS Application

You can feed the NMEA data to a remote server that hosts the GPS application. The server can be connected to the router either directly using an Ethernet cable or through a LAN or WAN network. If the application supports serial port, run a serial port emulation program to create a virtual serial port over the LAN or WAN connection.



Note Microsoft Streets & Trips is a licensed software that you can download from the Microsoft website.

To connect a Cisco 4G LTE NIM through IP to a PC running Microsoft Streets & Trips, perform the following steps:

1. Connect the PC to the router using an Ethernet cable.
2. Ensure that the PC and router can ping.
3. Launch the serial port redirector on the PC.
4. Create a virtual serial port that connects to the NMEA port on the router.
5. Launch **Microsoft Streets & Trips** on your PC.
6. Select the GPS Menu.
7. Click Start Tracking.
8. If you have acquired a location fix from the **show cellular gps** command output on the router, the current location is plotted on the graph, and a reddish brown dotted cursor with a circle around it is seen on the map.



Note If you have not acquired a location fix, the Microsoft application times out and disconnects.

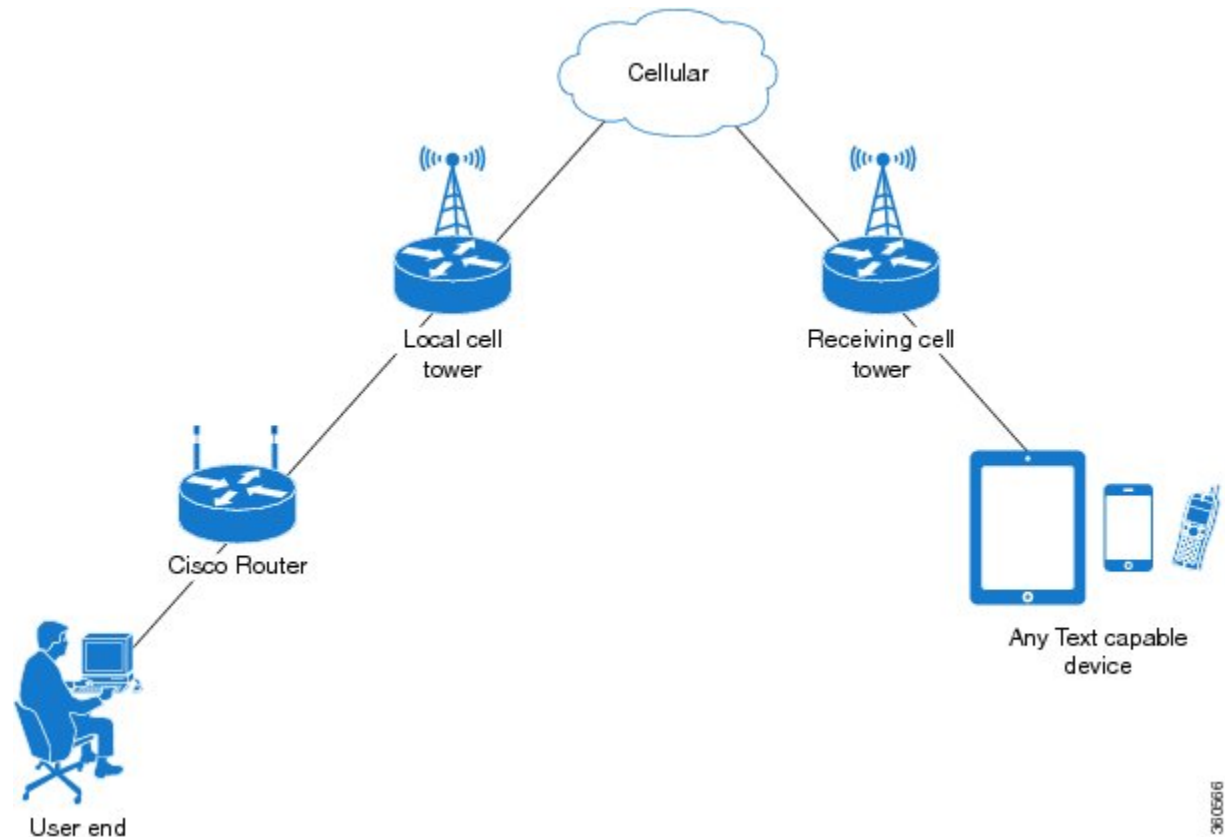
Short Message Service (SMS) Capabilities

Cisco 4G LTE NIMs support receiving, transmitting, archiving, and deleting of SMS messages. This support includes the ability to view up to 25 received texts, and archive more messages in a custom file location. SMS

is supported on multiple carriers. Cisco 4G LTE NIMs also have the capability to revert from LTE SMS to 3G and 2G SMS technology if necessary.

A sending device behind a Cisco 4G LTE NIM transmits an SMS text message over the 4G cellular link through cellular towers until it reaches the recipient's router, which then notifies the recipient device, such as a cell phone. The receiving device uses the same process to return a reply to the sending device. The following figure describes the flow from a mobile device to a sending device. For SMS transmission to work, end users must have a text-capable device, and optionally, a text plan. If end users do not have a text plan, standard SMS rates apply to their text transmissions.

Figure 2: SMS Network



360566

Using a SIM Card

Cisco 4G LTE NIMs need an active SIM card provided by a service provider. The SIM cards are usually provided in an unlocked state so that it can be used without a Personal Identification Number (PIN). If the SIM is unlocked, it can be inserted into a 4G LTE NIM and used without an authorization code.

The SIM can be initially locked with a PIN code (4 to 8 digits long) defined by the service provider. Contact your service provider for the PIN code.

The SIM-Lock feature allows a SIM to be locked or unlocked with a PIN code so that it is used only in an authorized device. Perform the SIM lock and unlock procedures using the Cisco IOS CLI through a console or Telnet/SSH to the ISR.

After the SIM is locked, it cannot initiate a call unless authentication is done using the same PIN. Authentication is done automatically by Cisco IOS through configuration of the PIN. This mandatory configuration for automatic SIM authentication is done using the Cisco IOS CLI as part of the router startup configuration.

After the Cisco IOS configuration is in place, the ISR can initiate an LTE connection. The ISR uses the configured PIN to authenticate prior to the LTE connection. If the Cisco IOS PIN configuration is missing or if the PIN is incorrect, the SIM authentication will fail and the connection will not be initiated.

If the locked SIM is moved to a different ISR or to another device, or if the 4G LTE NIM in which the locked SIM resides is moved to a different 4G LTE NIM slot in the same ISR, the ISR configuration should be changed. The configuration is associated with the cellular controller that is specific to an ISR 4G LTE NIM slot number. This will ensure that the SIM card will not be used in any unauthorized device, or, if there are multiple 4G LTE NIMs in a single ISR, that the appropriate PIN is applied to each 4G LTE SIM. An authentication command (with the same PIN used to lock the SIM) must be defined on the new device or on the new cellular controller slot to successfully initiate the LTE connection.

The following procedures are used to configure a SIM:



Caution

It is very important to use the correct PIN after it is configured. The SIM card will be blocked if the wrong PIN is entered three consecutive times on a locked SIM during authentication or when trying to unlock a locked SIM. You can unblock a blocked SIM card using the PUK code. Contact your service provider for the PUK code. Use the **cellular <slot> lte sim unblock <PUK code> <new PIN code>** command to unblock the SIM.

Data Account Provisioning

One or more modem data profiles can be created to provision a modem on a 4G LTE-Advanced. An active wireless account with a service provider with one or more (dual) SIM cards must be installed. The modem data profile is pre-configured on the modem.

The following tasks are used to verify the signal strength and service availability of the modem and to create, modify, and delete modem data profiles:

IP Multimedia Subsystem Profiles

IP Multimedia Subsystem (IMS) profiles establish a session, and are a part of the modem configuration and are stored in the modem's NVRAM. An IMS network is an access-independent and standard-based IP connectivity service that enables different types of multimedia services to end users using common Internet-based protocols. See [Creating, Modifying, or Deleting Modem Data Profiles, on page 10](#), for more information.

4G LTE NIM LEDs

The following table describes the LED behavior in 4G LTE NIM.

Table 2: 4G LTE NIM LED Description

LED	Color	Description
EN	Green (solid)	Module is powered on and functioning normally.
	Amber (solid)	Module has some type of failure.

LED	Color	Description
WWAN	Green (solid)	Module is powered on and connected, but is not transmitting or receiving.
	Green (slow blinking)	Module is powered on and searching for connection.
	Green (fast blinking)	Module is transmitting or receiving.
	Amber (solid)	Module is reserved for future use.
	Off	Module is not powered.
RSSI	Green (solid)	A high RSSI (greater than -69 dBm).
	Blue (solid)	Medium RSSI (-89 to -69dBm).
	Amber (solid)	Low RSSI (-99 to -89dBm).
	Amber (blink)	RSSI is below -100dBm.
	Off	No service detected.
SERVICE	Green (solid)	4G service is enabled (LTE).
	Blue (solid)	3G service is enabled.
	Amber (solid)	2G service is enabled.
	Off	No service detected.
GPS	Green (solid)	GPS coordinates are obtained.
	Off	GPS is disabled, GPS is enabled without GPS mode and NMEA configuration, or GPS is acquiring.

Configuring Cisco 4G LTE NIM

For 4G-LTE NIMs, the numbering for slot 0, wic 0, and port 0 is 0/1/0 for all commands.

Verifying Modem Signal Strength and Service Availability

For the 4G LTE NIM, the *unit* argument identifies the router slot, WIC slot, and port separated by slashes (0/1/0).

Procedure

	Command or Action	Purpose
Step 1	show cellular <i>unit</i> network Example: Router# show cellular 0/1/0 network	Displays information about the carrier network, cell site, and available service.

	Command or Action	Purpose
Step 2	show cellular <i>unit</i> radio Example: Router# show cellular 0/1/0 radio	Shows the radio signal strength. Note The RSSI should be better than –90 dBm for steady and reliable connection.
Step 3	show cellular <i>unit</i> profile Example: Router# show cellular 0/1/0 profile	Shows information about the modem data profiles created.
Step 4	show cellular <i>unit</i> security Example: Router# show cellular 0/1/0 security	Shows the security information for the modem, such as SIM and modem lock status.
Step 5	show cellular <i>unit</i> all Example: Router# show cellular 0/1/0 all	Shows consolidated information about the modem, profiles created, radio signal strength, network security, and so on.

Creating, Modifying, or Deleting Modem Data Profiles

You can create multiple profiles on Cisco 4G LTE NIMs. We support only 7300 based modems for the 4G NIMs. The following are the default Internet profile numbers for some of the modems:

- MC7304—Profile 1
- MC7350—Both Profile 1 and Profile 3
- MC7354—Profile 1

For information on supported modems on each SKU, see [Table 1: Cisco 4G LTE NIM SKUs, on page 2](#).

Usage Guidelines for Creating, Modifying, or Deleting Data Profiles

Follow these guidelines while you configure a data profile:

- In most cases, you do not have to make any profile-related changes if your modem comes with a data profile, for instance, AT&T, Sprint and Verizon.
- If any profile parameter changes are required for a connection type, the changes will most likely be carried out in the default profiles.
- To configure different profile types and use them for a different connection, you can create separate profiles with different parameters (for instance, APN names). Note that only one profile is active at a given time.
- Use the **show cellular <> profile** command to view the data profile. An asterisk(*) is displayed against the data profile.
- The data profile is used to set up a data call. If you want to use a different profile, that profile needs to be made the default one. Use the **lte sim data-profile number** command to change the default profile.
- To verify the completed sets of 3GPP and 3GPP2 profiles, enable the **debug cellular <0/x/0> message profile** command and then enter the **show cellular 0 profile** command. This debug command is applicable for 4G LTE NIM SKUs.



Note For the 4G LTE NIM, the *unit* argument identifies the router slot, WIC slot, and port separated by slashes (0/1/0).

Procedure

	Command or Action	Purpose
Step 1	<p>cellular <i>unit</i> lte profile [create / delete] <i>profile-number</i> [<i>apn</i> [<i>authentication</i> [<i>username</i> <i>password</i> [<i>bearer-type</i>]]]]</p> <p>Example:</p> <pre>Router# cellular 0/1/0 lte profile create 2 apn.com pap username pwd ipv4</pre>	<p>Creates, modifies, or deletes a modem data profile in the privileged EXEC mode.</p> <ul style="list-style-type: none"> The <i>profile-number</i> argument specifies the profile number created for the modem. The maximum number of profiles that can be created for each modem is given as follows: <ul style="list-style-type: none"> MC7304—Up to 16 profiles MC7350—Up to 6 profiles MC7354—Up to 16 profiles (Optional) The <i>apn</i> argument specifies an Access Point Name (APN) in the profile. An APN is provided by your service provider. Only a single APN can be specified in a single profile. (Optional) The <i>authentication</i> parameter specifies the authentication type used. Acceptable parameters are chap, none (no authentication), pap, and pap_chap (PAP or CHAP authentication). (Optional) The <i>username</i> and <i>password</i> arguments are given by a service provider. (Optional) The <i>bearer-type</i> parameter specifies the type of data payload exchanged over the air link when the packet data session is established with this profile. Acceptable data type parameters are: ipv4, ipv6, and ipv4v6 (IPv4 and IPv6). <p>Note Entering this command results in the creation or modification of both the 3GPP and 3GPP2 profiles with the same parameters.</p> <p>Note The default data profile numbers for the various modem SKUs are given as follows:</p> <ul style="list-style-type: none"> MC7354, MC7304 – Profile 1 MC7350– Profile 3

	Command or Action	Purpose
		The data profile is displayed by using the show cellular unit profile command with an asterisk(*).

Configuration Examples

The following example shows how to change a default profile on 4G LTE NIM:

```
router(config-controller)# lte sim data-profile 2 attach-profile 1
router(config-controller)# end
router#
router# sh run
Building configuration...
controller Cellular 0/1/0
  lte sim profile 2
router# ping 8.8.4.4 rep 10
Type escape sequence to abort.
Sending 10, 100-byte ICMP Echos to 8.8.4.4, timeout is 2 seconds:
!!!!!!!!!!!!
Success rate is 100 percent (10/10), round-trip min/avg/max = 284/364/600 ms
router#
```

The following example shows the output of the **show cellular** command:

```
router# show cellular 0/2/0 profile
Profile 1 = INACTIVE
-----
PDP Type = IPv4
Access Point Name (APN) = Broadband
Authentication = None
Profile 2 = INACTIVE
-----
Profile 16 = ACTIVE* **
-----
PDP Type = IPv4
PDP address = 10.207.206.25
Access Point Name (APN) = Broadband
Authentication = None
    Primary DNS address = 172.26.38.1
    Secondary DNS address = 172.26.38.2
* - Default profile
** - LTE attach profile
** - LTE attach profile
```

The following example shows the output of the **show cellular** command before you enable the debug command:

```
router# show cellular 0/1/0 profile
Profile 1 = INACTIVE **
-----
PDP Type = IPv6
Access Point Name (APN) = vzwims
Profile 2 = INACTIVE
-----
PDP Type = IPv4v6
Access Point Name (APN) = vzwadmin
Profile 3 = ACTIVE*
-----
PDP Type = IPv4v6
PDP address = 10.187.130.3
```

```

Access Point Name (APN) = VZWINTERNET
    Primary DNS address = 198.224.173.135
    Secondary DNS address = 198.224.174.135
Profile 4 = INACTIVE
-----
PDP Type = IPv4v6
Access Point Name (APN) = vzwapp

* - Default profile /* Note
** - LTE attach profile /* note

```

The following example shows the output of the **show cellular** command after you enable the debug command:

```

router# debug cellular 0/1/0 messages profile
PROFILE_3GPP2 debugging is on
router#
router #show cellular 0/1/0 profile
Profile 1 = INACTIVE **
-----
PDP Type = IPv6
Access Point Name (APN) = vzwims
Profile 2 = INACTIVE
-----
PDP Type = IPv4v6
Access Point Name (APN) = vzwadmin
Profile 3 = ACTIVE*
-----
PDP Type = IPv4v6
PDP address = 10.187.130.3
Access Point Name (APN) = VZWINTERNET
    Primary DNS address = 198.224.173.135
    Secondary DNS address = 198.224.174.135
Profile 4 = INACTIVE
-----
PDP Type = IPv4v6
Access Point Name (APN) = vzwapp
3GPP2 Profiles:
=====
Profile 1 = INACTIVE
-----
PDN Type = IPv6
Access Point Name (APN) = vzwims
Profile 2 = INACTIVE
-----
PDN Type = IPv4v6
Access Point Name (APN) = vzwadmin
Profile 3 = INACTIVE*
-----
PDN Type = IPv4v6
Access Point Name (APN) = VZWINTERNET
Profile 4 = INACTIVE
-----
PDN Type = IPv4v6
Access Point Name (APN) = vzwapp

Profile 5 = INACTIVE
-----
PDN Type = IPv4v6
Access Point Name (APN) =
Profile 6 = INACTIVE
-----
PDN Type = IPv4v6
Access Point Name (APN) =

```

```
* - Default profile
** - LTE attach profile
```

Multiple PDN Contexts

This feature enables router to connect to multiple (currently two) packet data networks. This allows users to enable different features independently on each PDN. For instance, the first PDN can be used for public Internet access and the second one for VPN connectivity; each PDN has its own set of IP addresses and QoS characteristics.

During the initialization of the router, two cellular interfaces corresponding to the two PDNs are created: cellular 0/x/0 and cellular 0/x/1

These interfaces can be viewed as two logical interfaces using the same radio resources.

Here onwards, the interface cellular 0/x/0 is referred as the first PDN, and cellular 0/x/1 as the second PDN.

The first step, in bringing up the two PDNs, is applying the configuration on both the cellular interfaces and their corresponding lines, in order to make two simultaneous data calls.

The next step is associating the data-bearer profile with its corresponding cellular interface or PDN. It is sufficient to associate the profile for just the first PDN under the controller cellular configuration. Note that the second PDN assumes a profile that is just one above the profile used for the first PDN. For example, if the first PDN uses profile 1, the second PDN uses profile 2 automatically when the call is initiated for the second one.

After the interesting traffic is routed through these cellular interfaces, data calls are initiated and each interface is assigned its own IP and DNS addresses provided by the cellular network. Note that both PDNs share radio resources. Therefore, any throughput measurement needs to take into account the aggregate throughput on both PDNs, instead of just one.

Configuration Examples

The following example shows how to configure multiple PDN on Cisco 4G LTE NIM:

```
interface Cellular0/2/0
ip address negotiated
dialer in-band
dialer idle-timeout 0
dialer-group 1
no peer default ip address
routing dynamic
!
interface Cellular0/2/0
ip address negotiated
dialer in-band
dialer idle-timeout 0
dialer-group 1
!
ip route 141.141.141.141 255.255.255.255 Cellular1
ip route 192.169.187.254 255.255.255.255 Cellular0
!
```

The following show commands can be used to verify the status of the multiple PDN calls:

```
router#sh cellular 0 profile
Profile 1 = ACTIVE* **
-----
PDP Type = IPv4
```

```

PDP address = 21.21.21.204
Access Point Name (APN) = basic
Authentication = None
Primary DNS address = 171.70.168.183
Secondary DNS address = 173.36.131.10
Profile 2 = ACTIVE
-----
PDP Type = IPv4
PDP address = 22.22.22.111
Access Point Name (APN) = mpdn
Authentication = None
Primary DNS address = 171.70.168.183
Secondary DNS address = 173.36.131.10
Profile 3 = INACTIVE
-----PDP Type = IPv4
Access Point Name (APN) = aaaauth
Authentication = None
Profile 4 = INACTIVE
-----
PDP Type = IPv4
Access Point Name (APN) = basic2
Authentication = None
* - Default profile
** - LTE attach profile
Configured default profile for active SIM 0 is profile 1.
Router# show cellular 0/2/0 connection

Profile 1, Packet Session Status = INACTIVE
Profile 2, Packet Session Status = INACTIVE
Profile 3, Packet Session Status = INACTIVE
Profile 4, Packet Session Status = INACTIVE
Profile 5, Packet Session Status = INACTIVE
Profile 6, Packet Session Status = INACTIVE
Profile 7, Packet Session Status = INACTIVE
Profile 8, Packet Session Status = INACTIVE
Profile 9, Packet Session Status = INACTIVE
Profile 10, Packet Session Status = INACTIVE
Profile 11, Packet Session Status = INACTIVE
Profile 12, Packet Session Status = INACTIVE
Profile 13, Packet Session Status = INACTIVE
Profile 14, Packet Session Status = INACTIVE
Profile 15, Packet Session Status = INACTIVE
Profile 16, Packet Session Status = ACTIVE
Cellular0/2/0:
Data Transmitted = 4070941 bytes, Received = 178728669 bytes
IP address = 10.207.206.25
Primary DNS address = 172.26.38.1
Secondary DNS address = 172.26.38.2
Router#
Router# show ip interface brief

Interface                IP-Address      OK? Method Status          Protocol
GigabitEthernet0/0/0    10.1.0.254     YES NVRAM    up              up
GigabitEthernet0/0/1    172.19.151.180 YES TFTP    administratively down down
Cellular0/2/0           10.207.206.25 YES IPCP    up              up
Cellular0/2/1           unassigned     YES NVRAM    administratively down down
GigabitEthernet0       unassigned     YES NVRAM    up              up
Tunnell                 80.1.1.1       YES NVRAM    up              down
Vlan1                   unassigned     YES NVRAM    up              down
Router#
Router# show ip dns view
DNS View default parameters:
DNS Resolver settings:
  Domain lookup is enabled

```

```

Default domain name:
Domain search list:
Domain name-servers:
    8.8.8.8
    172.26.38.1
    172.26.38.2
DNS Server settings:
    Forwarding of queries is enabled
    Forwarder addresses:
Router#
Router# sh cellular 0 connection
Profile 1, Packet Session Status = ACTIVE
Cellular0:
Data Transmitted = 600 bytes, Received = 500 bytes
IP address = 21.21.21.204
Primary DNS address = 171.70.168.183
Secondary DNS address = 173.36.131.10
Profile 2, Packet Session Status = ACTIVE
Cellular1:
Data Transmitted = 1800 bytes, Received = 1800 bytes
IP address = 22.22.22.111
Primary DNS address = 171.70.168.183
Secondary DNS address = 173.36.131.10
Profile 3, Packet Session Status = INACTIVE
Profile 4, Packet Session Status = INACTIVE
Profile 5, Packet Session Status = INACTIVE
Profile 6, Packet Session Status = INACTIVE
Profile 7, Packet Session Status = INACTIVE
Profile 8, Packet Session Status = INACTIVE
Profile 9, Packet Session Status = INACTIVE
Profile 10, Packet Session Status = INACTIVE
Profile 11, Packet Session Status = INACTIVE
Profile 12, Packet Session Status = INACTIVE
Profile 13, Packet Session Status = INACTIVE
Profile 14, Packet Session Status = INACTIVE
Profile 15, Packet Session Status = INACTIVE
Profile 16, Packet Session Status = INACTIVE
Router#sh ip interface brief
Interface          IP-Address      OK? Method Status      Protocol
Cellular0          21.21.21.204   YES IPCP  up          up
Cellular1          22.22.22.111   YES IPCP  up          up
FastEthernet0      unassigned      YES unset  up          up
FastEthernet1      unassigned      YES unset  down        down
FastEthernet2      unassigned      YES unset  down        down
FastEthernet3      unassigned      YES unset  down        down
GigabitEthernet0  unassigned      YES NVRAM down        down
Loopback0          1.1.1.1         YES NVRAM up          up
Serial0            unassigned      YES NVRAM administratively down down
Vlan1              5.13.1.22       YES NVRAM up          up
Vlan2              72.119.152.9   YES NVRAM down        down

```

Configuring a SIM for Data Calls

Locking and Unlocking a SIM Card Using a PIN Code

Perform this task to lock or unlock a SIM card given by your service provider.

The SIM card gets blocked if the wrong PIN is entered three consecutive times. Make sure you enter the correct PIN the SIM is configured with. If your SIM card gets blocked, contact your service provider for a PUK code. Using the PUK code, you can unblock the SIM card.

For the 4G LTE NIM, the *unit* argument identifies the router slot, WIC slot, and port separated by slashes (0/1/0).

Procedure

	Command or Action	Purpose
Step 1	cellular <i>unit</i> lte sim {lock unlock} <i>pin</i> Example: Router# cellular 0/1/0 lte sim lock 1111	Locks or unlocks the SIM card using a PIN code. <ul style="list-style-type: none"> • <i>pin</i>—A code (4 to 8 digits long) provided by your carrier to lock or unlock the SIM card.

Changing the PIN Code

Perform this task to change the PIN code of a SIM.

For the 4G LTE NIM, the *unit* argument identifies the router slot, WIC slot, and port separated by slashes (0/1/0).

Procedure

	Command or Action	Purpose
Step 1	cellular <i>unit</i> lte sim change-pin <i>pin new-pin</i> Example: Router# cellular 0/1/0 lte sim change-pin 1111 1234	Changes the assigned PIN code. SIM should be in locked state when the PIN is being changed.

Verifying the Security Information of a Modem

Perform this task to verify the security information of a modem.



Note For the 4G LTE NIM, the *unit* argument identifies the router slot, WIC slot, and port separated by slashes (0/1/0).

Procedure

	Command or Action	Purpose
Step 1	show cellular <i>unit</i> security Example: Router# show cellular 0/1/0 security	Shows the security information of the modem, including the SIM lock status.

Configuring Automatic Authentication for a Locked SIM

An unencrypted PIN can be configured to activate the Card Holder Verification (CHV1) code that authenticates a modem.

The SIM card gets blocked if the wrong PIN is entered three consecutive times. Make sure you enter the correct PIN the SIM is configured with. If your SIM card gets blocked, contact your service provider for a PUK code.

Follow these procedures when using an unencrypted Level 0 PIN to configure CHV1. For instructions on how to configure CHV1 using an encrypted Level 7 PIN, see the [Configuring an Encrypted PIN for a SIM, on page 18](#).

A SIM should be locked for SIM authentication to work. To verify the SIM's status, use the **show cellular unit security** command.

For the 4G LTE NIM, the *unit* argument identifies the router slot, WIC slot, and port separated by slashes (0/1/0).

Procedure

	Command or Action	Purpose
Step 1	configure terminal Example: <pre>Router# configure terminal</pre>	Enters global configuration mode.
Step 2	controller cellular unit Example: <pre>Router(config)# controller cellular 0//1/0</pre>	Enters the cellular controller configuration mode.
Step 3	lte sim authenticate 0 pin	<p>Authenticates the SIM CHV1 code by using an unencrypted (0) keyword and PIN. This PIN is sent to the modem for authentication with each subsequent LTE connection. If authentication passes based on the configured PIN, the data call is allowed. If authentication fails, the modem does not initiate the data call.</p> <p>Note This command is valid only when an unencrypted PIN is used. To configure CHV1 code using an encrypted PIN, see the Configuring an Encrypted PIN for a SIM, on page 18.</p>

Configuring an Encrypted PIN for a SIM

To configure an encrypted PIN, the scrambled value of the PIN must be obtained. To get the scrambled Level 7 PIN and to configure the SIM CHV1 code for verification using this encrypted PIN, enter the following commands in the EXEC mode.



Note When obtaining the encrypted PIN for a SIM, a username and password are created by configuring password encryption, defining the username and associated password, copying the resulting scrambled password, and using this scrambled password in the SIM authentication command. After the scrambled PIN has been obtained and used in SIM authentication, the username created can be deleted from the Cisco IOS configuration.



Note A SIM should be locked for SIM authentication to work. To verify the SIM's status, use the **show cellular unit security** command.



Note For the 4G LTE NIM, the *unit* argument identifies the router slot, WIC slot, and port separated by slashes (0/1/0).

Procedure

	Command or Action	Purpose
Step 1	configure terminal Example: Router# configure terminal	Enters global configuration mode.
Step 2	service password-encryption Example: Router(config)# service password-encryption	Enables password encryption.
Step 3	username name privilege 0 password pin Example: Router(config)# username SIM privilege 0 password 1111	Creates username and password. <ul style="list-style-type: none"> • <i>name</i>—Specifies the username. • <i>pin</i>—Specifies the four- to eight-digit PIN code.
Step 4	do show run i name Example: Router(config)# do show run i SIM	Shows the username configuration line with the encrypted level 7 PIN for the username created in Step 3 (user “SIM” in the example shown). Copy the scrambled password for use in Step 6 (as the PIN).
Step 5	controller cellular unit Example: Router(config)# controller cellular 0/1/0	Enters the cellular controller configuration mode.

	Command or Action	Purpose
Step 6	lte sim authenticate {0 7} <i>pin</i>	Authenticates the SIM CHV1 code by using the encrypted keyword 7 and the scrambled PIN from Step 4. The PIN is sent to the modem for authentication with each subsequent LTE connection. If authentication passes based on the configured PIN, the data call is allowed. If authentication fails, the modem does not initiate the data call.
Step 7	exit Example: Router(config-controller)# exit	(Optional) Exits the cellular controller configuration mode.
Step 8	no username <i>name</i> Example: Router(config)# no username SIM	(Optional) Removes the username and password created in Step 3.
Step 9	no service password-encryption Example: Router(config)# no service password-encryption	(Optional) Disables password encryption.

Applying a Modem Profile in a SIM Configuration

Procedure

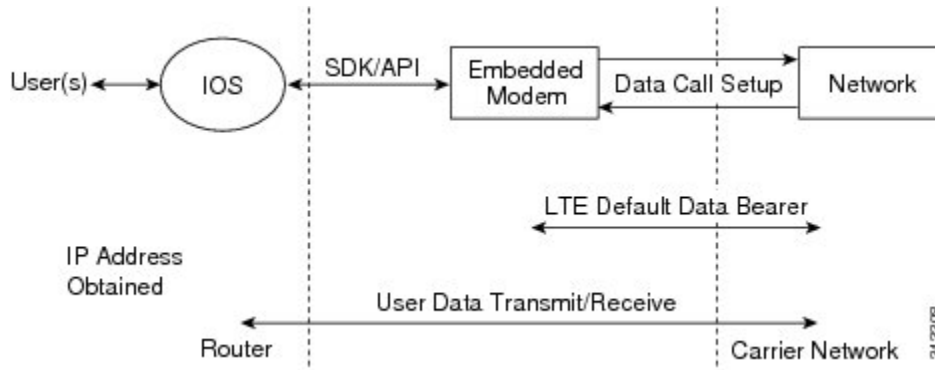
	Command or Action	Purpose
Step 1	configure terminal Example: Router# configure terminal	Enters the global configuration mode.
Step 2	controller cellular <i>unit</i> Example: Router(config)# controller cellular 0/1/0	Enters the cellular controller configuration mode.
Step 3	lte sim data-profile <i>number</i> attach-profile <i>number</i>	Applies the configured profile number to the SIM and its slot number. The default (primary) slot is 0. The attach profile is the profile used by the modem to attach to the LTE network.

	Command or Action	Purpose
		The data profile is the profile used to send and receive data over the cellular network.

Data Call Setup

The following figure shows a typical data call setup.

Figure 3: Data Call Setup with 4G LTE NIM



To set up a data call, use the following procedures:

Configuring the Cellular Interface

To configure the cellular interface, enter the following commands starting in EXEC mode.

For the 4G LTE NIM, the *unit* argument identifies the router slot, WIC slot, and port separated by slashes (0/1/0).

If a tunnel interface is configured with **ip unnumbered cellular 0/1/0**, it is necessary to configure the actual static IP address under the cellular interface, in place of ip address negotiated.

Procedure

	Command or Action	Purpose
Step 1	configure terminal Example: <code>Router# configure terminal</code>	Enters global configuration mode.
Step 2	interface cellular unit Example: <code>Router(config)# interface cellular 0/1/0</code>	Specifies the cellular interface.
Step 3	ip address negotiated Example:	Specifies that the IP address for a particular interface is dynamically obtained.

	Command or Action	Purpose
	<code>Router(config-if)# ip address negotiated</code>	
Step 4	dialer in-band Example: <code>Router(config-if)# dialer in-band</code>	Enables DDR and configures the specified serial interface to use in-band dialing.
Step 5	dialer-group group-number Example: <code>Router(config-if)# dialer-group 1</code>	Specifies the number of the dialer access group to which the specific interface belongs.
Step 6	exit Example: <code>Router(config-if)# exit</code>	Enters the global configuration mode.
Step 7	ip route network-number network-mask {ip-address interface} [administrative distance] [name name] Example: <code>Router(config)# ip route 209.165.200.225 255.255.255.224 cellular 0/1/0</code>	Establishes a floating static route with the configured administrative distance through the specified interface. Note A higher administrative distance should be configured for the route through the backup interface so that it is used only when the primary interface is down.
Step 8	dialer-list dialer-group protocol protocol-name {permit deny list access-list-number access-group} Example: <code>Router(config)# dialer-list 1 protocol ip list 1</code>	Creates a dialer list for traffic of interest and permits access to an entire protocol.

Configuring DDR

To configure DDR for the cellular interface, enter the following commands starting in EXEC mode.



Note For the 4G LTE NIM, the *unit* argument identifies the router slot, WIC slot, and port separated by slashes (0/1/0).

Procedure

	Command or Action	Purpose
Step 1	configure terminal Example: Router# configure terminal	Enters global configuration mode.
Step 2	interface cellular <i>unit</i> Example: Router(config)# interface cellular 0/1/0	Specifies the cellular interface.
Step 3	ip address negotiated Example: Router(config-if)# ip address negotiated	Specifies that the IP address for a particular interface is dynamically obtained.
Step 4	dialer in-band Example: Router(config-if)# dialer in-band	Enables DDR and configures the specified serial interface to use in-band dialing.
Step 5	dialer pool-member number Example: Router(config-if)# dialer pool-member 1	Specifies the number of a dialer profile's dialing pool to which the specific interface belongs.
Step 6	ip address negotiated Example: Router(config-if)# ip address negotiated	Specifies that the IP address for a particular interface is dynamically obtained.
Step 7	dialer pool <i>number</i> Example: Router(config-if)# dialer pool 1	Specifies the number of a dialing pool that the dialer interface can use to connect to a specific destination subnetwork.
Step 8	dialer idle-timeout <i>seconds</i> Example: Router(config-if)# dialer idle-timeout 30	Specifies the duration of idle time, in seconds, after which a line will be disconnected.
Step 9	dialer-group group-number Example: Router(config-if)# dialer-group 1	Specifies the number of the dialer access group to which the specific interface belongs.

	Command or Action	Purpose
Step 10	exit Example: <pre>Router(config-if)# exit</pre>	Enters the global configuration mode.
Step 11	<pre>dialer-list dialer-group protocol protocol-name {permit deny list access-list-number access-group}</pre> Example: <pre>Router(config)# dialer-list 1 protocol ip list 1</pre>	Creates a dialer list for traffic of interest and permits access to an entire protocol.
Step 12	<pre>access-list access-list-number permit ip-source-address</pre> Example: <pre>Router(config)# access-list 1 permit any</pre>	Defines traffic of interest.

Enabling 4G GPS and NMEA Data Streaming

GPS NMEA data streaming to external NMEA 2.0-compliant GPS plotter applications can be enabled on Cisco 4G LTE NIMs.



Note For an 4G LTE NIM, the *unit* argument identifies the router slot, WIC slot, and the port, and is separated by slashes (0/1/0).

Procedure

	Command or Action	Purpose
Step 1	<pre>configure terminal</pre> Example: <pre>Router# configure terminal</pre>	Enters the configuration mode.
Step 2	<pre>controller cellular unit</pre> Example: <pre>Router(config)# controller cellular 0/1/0</pre>	Enters the controller cellular configuration mode.
Step 3	<pre>lte gps enable</pre> Example: <pre>Router(config-controller)# lte gps enable</pre>	(Optional) GPS is enabled by default. Use this command to enable the GPS feature if GPS has been disabled for any reason.

	Command or Action	Purpose
Step 4	lte gps mode standalone Example: Router(config-controller)# lte gps mode standalone	Enables the standalone GPS mode.
Step 5	lte gps nmea {ip udp [source address][destination address][destination port] } Example: Router(config-controller)# lte gps nmea ip or Router(config-controller)# lte gps nmea	Enables NMEA. Cisco 4G LTE 4G LTE NIMs support only IP NMEA. Therefore, the IP interface and serial interface options are unavailable.
Step 6	end Example: Router(config-controller)# end	Exits the controller configuration mode and returns to the privileged EXEC mode.
Step 7	show cellular unit gps Example: Router# show cellular 0/1/0 gps GPS Info ----- GPS Feature: enabled GPS Port Selected: DIV port GPS State: GPS enabled GPS Mode Configured: standalone Last Location Fix Error: Offline [0x0] GPS Error Count: 13 Latitude: 37 Deg 24 Min 58 Sec North Longitude: 121 Deg 55 Min 7 Sec West Timestamp (GMT): Thu Aug 15 14:23:35 2013 Fix type index: 0, Height: 15 m	Displays a summary of the following GPS data: <ul style="list-style-type: none"> • GPS state information (GPS disabled, GPS acquiring, GPS enabled) • GPS mode configured (standalone) • GPS location and timestamp information • GPS satellite information • GPS feature (enabled or disabled) • GPS port selected (Dedicated GPS and GPS port with voltage-no-bias)
Step 8	show cellular unit gps detail Example: Router# show cellular 0 gps detail GPS Info ----- GPS Feature: enabled GPS Port Selected: DIV port GPS State: GPS enabled GPS Mode Configured: standalone Last Location Fix Error: Offline [0x0] GPS Error Count: 71 Latitude: 37 Deg 24 Min 58 Sec North Longitude: 121 Deg 55 Min 7 Sec West Timestamp (GMT): Fri Aug 16 10:46:25 2013	Displays detailed GPS data.

	Command or Action	Purpose
	<pre>Fix type index: 0, Height: 20 m HDOP: 0.8, GPS Mode Used: standalone Satellite Info ----- Satellite #1, elevation 18, azimuth 52, SNR 30 * Satellite #4, elevation 13, azimuth 165, SNR 29 * Satellite #7, elevation 3, azimuth 133, SNR 22 Satellite #8, elevation 33, azimuth 126, SNR 29 * Satellite #9, elevation 33, azimuth 133, SNR 0 * Satellite #11, elevation 4, azimuth 39, SNR 0 Satellite #15, elevation 29, azimuth 284, SNR 0 * Satellite #17, elevation 84, azimuth 118, SNR 0 * Satellite #26, elevation 38, azimuth 224, SNR 0</pre>	

Configuring 4G SMS Messaging



Note For an 4G LTE NIM, the *unit* argument identifies the router slot, WIC slot, and the port, and is separated by slashes (0/1/0).

Procedure

	Command or Action	Purpose
Step 1	<pre>configure terminal</pre> <p>Example:</p> <pre>Router# configure terminal</pre>	Enters the configuration mode.
Step 2	<pre>controller cellular <i>unit</i></pre> <p>Example:</p> <pre>Router(config)# controller cellular 0/1/0</pre>	Enters the controller cellular configuration mode.
Step 3	<pre>lte sms archive path <i>FTP-URL</i></pre> <p>Example:</p> <pre>Router(config-controller)# lte sms archive path ftp://username:password@172.25.211.175/SMS-LTE</pre>	<p>Specifies an FTP server folder path to send all the incoming and outgoing SMS messages. After the folder path is identified, it is appended automatically with outbox and inbox folders for the path to which SMS messages are sent and received, for example:</p> <pre>ftp://172.25.211.175/SMS-LTE/outbox ftp://172.25.211.175/SMS-LTE/inbox</pre>

	Command or Action	Purpose
Step 4	<pre>cellular unit lte sms view { all ID summary } Example: Router# cellular 0/1/0 lte sms view summary ID FROM YY/MM/DD HR:MN:SC SIZE CONTENT 0 4442235525 12/05/29 10:50:13 137 Your entry last month has... 2 5553337777 13/08/01 10:24:56 5 First 3 5553337777 13/08/01 10:25:02 6 Second</pre>	<p>Displays the message contents of incoming texts received by a modem.</p> <ul style="list-style-type: none"> • all—Displays the message contents of up to 255 incoming text messages received by the modem. • ID—Displays the message contents for a specified ID (0-255) of an incoming text message. • summary—Displays a summary of the incoming text messages received by the modem.
Step 5	<pre>end Example: Router# end</pre>	<p>Exits the configuration mode and returns to the privileged EXEC mode.</p>
Step 6	<pre>show cellular unit sms Example: Router# show cellular 0/1/0 sms Incoming Message Information ----- SMS stored in modem = 20 SMS archived since booting up = 0 Total SMS deleted since booting up = 0 Storage records allocated = 25 Storage records used = 20 Number of callbacks triggered by SMS = 0 Number of successful archive since booting up = 0 Number of failed archive since booting up = 0 Outgoing Message Information ----- Total SMS sent successfully = 0 Total SMS send failure = 0 Number of outgoing SMS pending = 0 Number of successful archive since booting up = 0 Number of failed archive since booting up = 0 Last Outgoing SMS Status = SUCCESS Copy-to-SIM Status = 0x0 Send-to-Network Status = 0x0 Report-Outgoing-Message-Number: Reference Number = 0 Result Code = 0x0 Diag Code = 0x0 0x0 0x0 0x0 0x0 SMS Archive URL = ftp://lab:lab@1.3.150.1/outbox</pre>	<p>Displays all the information in the text messages sent and received. Message information includes text messages sent successfully, received, archived, and messages pending to be sent. LTE-specific information on errors in case of a FAILED attempt may also be displayed.</p>

	Command or Action	Purpose
Step 7	cellular <i>unit</i> lte sms send <i>number</i> Example: <pre>Router# cellular 0/1/0 lte sms send 15554443333</pre>	Enables a user to send a 4G LTE band SMS message to other valid recipients, provided they have a text message plan. The <i>number</i> argument is the telephone number of the SMS message recipient. Note 10-digit or 11-digit (phone) numbers are the proper numerical format for sending a text. For example, ##### or 1#####. Seven digits are not supported.
Step 8	cellular <i>unit</i> lte sms delete [all <i>id</i>] Example: <pre>Router# cellular 0/1/0 lte sms delete [all id]</pre>	(Optional) Deletes one message ID or all of the stored messages from memory.

Configuring Modem DM Log Collection

Diagnostic Monitor (DM) is a Qualcomm proprietary protocol. Diagnostic software tools, such as Sierra Wireless SwiLog and Qualcomm QXDM, are based on DM protocol. These tools can be used to capture data transactions between the modem and the network over the RF interface, which makes them useful tools for troubleshooting 3G and 4G data connectivity or performance issues.

To configure DM log collection, enter the following commands, starting in privileged EXEC mode.

Procedure

	Command or Action	Purpose
Step 1	configure terminal Example: <pre>Router# configure terminal</pre>	Enters global configuration mode.
Step 2	controller cellular slot/wic Example: <pre>Router(config)# controller cellular 0/1/0</pre>	Enters cellular controller configuration mode.
Step 3	{lte} modem dm-log {enable filesize <i>size</i> filter <i>location:filename</i> output path <i>URL</i> rotation size <i>log-size</i> } Example: <pre>Router(config-controller)# lte modem dm-log enable</pre>	Configures DM logging for CDMA, GSM, or LTE modem. <ul style="list-style-type: none"> • enable—Enables DM logging. • filesize <i>size</i>—Specifies the maximum log file size, in MB. Range is from 1 to 64. Default is 20. • filter <i>location:filename</i>—Specifies the DM log filter file location and filename.

	Command or Action	Purpose
		<p>The following are the valid values for the <i>location</i> parameter: flash0, flash1, flash, usbflash, usbflash0, or usbflash1.</p> <p>Note If the DM log filter file is not specified, the generic filter file, which comes with the diagnostic software tool, will be used.</p> <p>Note The DM log filter file should be in SQF format.</p> <ul style="list-style-type: none"> • output path URL—Specifies the path where the DM logging output files will be stored. The default path is the router flash. • rotation—Enables log rotation. <p>Note The rotation option is only supported if the log files are stored in the router flash or USB flash.</p> <ul style="list-style-type: none"> • size log-size—Specifies the maximum log size, in MB. Range is from 0 to 1024. Default is 64.
Step 4	<p>end</p> <p>Example:</p> <pre>Router(config-controller)# end</pre>	Returns to privileged EXEC mode.
Step 5	<p>show cellular unit logs dm-log</p> <p>Example:</p> <pre>Router# show cellular 0/1/0 logs dm-log</pre>	<p>(Optional) Displays DM log configuration and statistics.</p> <ul style="list-style-type: none"> • unit—For HWIC, this is the router slot, WIC slot, and port separated by slashes (for example, 0/1/0). For fixed platform, this is the number 0.

Example

The following example shows how to specify the maximum log file size for CDMA:

```
Router(config-controller)# cdma modem dm-log filesize 8
```

The following example shows how to specify the filter file for GSM:

```
Router(config-controller)# gsm modem dm-log filter flash:SwiLogPlus_generic_filter_6.3.sqf
```

The following example shows how to specify the path where the DM log output files will be stored for LTE:

```
Router(config-controller)# lte modem dm-log output path ftp://@172.25.211.175/
```

The following example shows how to enable DM log rotation for CDMA:

```
Router(config-controller)# cdma modem dm-log rotation
```

The following example shows how to specify the maximum log size for GSM:

```
Router(config-controller)# gsm modem dm-log size 128
```

Enabling Modem Crashdump Collection

Modem crashdump collection is useful in debugging firmware crash. To collect crash data, the modem has to be pre-configured so that it will stay in memdump mode after a crash. Memdump mode is a special boot-and-hold mode for the memdump utility to collect crash data.

For earlier releases, the crashdump collection required the PC to be connected to the router using a USB cable or a special RJ45-USB cable on a non-HSPA+7 3G HWIC.

As part of the 3G and 4G serviceability enhancement, the crashdump collection utility is integrated into Cisco IOS.

To enable modem crashdump collection, perform the following steps.



Note The integrated modem crashdump collection feature is supported only on 3G HSPA and 4G LTE based SKUs.

Before you begin

Ensure that the following prerequisites are met before attempting to enable crashdump logging:

- The modem needs to be provisioned for modem crashdump collection. Contact Cisco TAC for details.
- The modem should be in crash state. Run tests that will result in modem firmware crash. A “MODEM_DOWN” message on the router console or syslog is indicative of modem firmware crash.



Note After the modem firmware crashes, the modem is available for crashdump log collection only. Data calls cannot be made.

Procedure

	Command or Action	Purpose
Step 1	<pre>test { cell-host cell-cwan } unit modem-crashdump { on <i>location</i> off }</pre> <p>Example:</p> <pre>Router# test cell-host 0/2/0 modem-crashdump on local_uf</pre>	<p>Enables or disables modem crashdump collection.</p> <ul style="list-style-type: none"> • cell-host — Keyword for fixed platform. • cell-cwan — Keyword for F35 NIM on a modular platform. • <i>unit</i>

	Command or Action	Purpose
		<p>—For NIM, this is the router slot, WIC slot, and port separated by slashes (for example, 0/2/0). For fixed platform, this is the number 0.</p> <ul style="list-style-type: none"> • on Enables crashdump log collection. • <i>location</i> —Specifies the destination URL where the modem crashdump logs will be stored. • off —Disables crashdump log collection.

Displaying Modem Log Error and Dump Information

As part of the 3G serviceability enhancement in Cisco IOS Release 15.2(4)M2 and Cisco IOS Release 15.3(1)T, AT commands strings (**at!err** and **at!gcdump**) can be sent to the modem using Cisco IOS CLI rather than setting up a reverse telnet session to the cellular modem to obtain log error and dump information.

To obtain log error and dump information, perform the following steps.



Note The modem log error and dump collection feature is supported only on 3G SKUs.

Procedure

	Command or Action	Purpose
Step 1	show cellular <i>unit</i> log error Example: Router# show cellular 0/1/0 log error	Shows modem log error and dump information.
Step 2	test cellular <i>unit</i> modem-error-clear Example: Router# test cellular 0/1/0 modem-error-clear	(Optional) Clears out the error and dump registers. By default, error and dump registers are not cleared out after a read. This command changes the operation so that registers are cleared once they are read. As a result, the AT command strings are changed to “ at!errclr=1 ” for CDMA and “ at!err=0 ” for GSM modems.

Configuration Examples for Cisco 4G LTE NIM

The following example shows how to configure Cisco 4G LTE NIM:


```
!
!
!
!
!
!
!
subscriber templating
!
multilink bundle-name authenticated
--More--
license udi pid ISR4321/K9 sn FDO181701PZ
!
spanning-tree extend system-id
!
!
redundancy
 mode none
!
!
!
!
controller Cellular 0/2/0
 lte sim data-profile 16 attach-profile 16
 lte gps mode standalone
 lte gps nmea
 lte modem dm-log output local-uf
 lte modem dm-log filter flash:GSM_GPRS_EDGE_WCDMA_LTE_DATA_EVDO_SMS.sqf
 lte modem dm-log rotation
 lte modem link-recovery disable
--More--
interface GigabitEthernet0/0/1
 ip address 172.19.151.180 255.255.255.0
 ip nat outside
 shutdown
 negotiation auto
!
interface Cellular0/2/0
 ip address negotiated
 ip nat outside
 dialer in-band
 dialer idle-timeout 0
 dialer watch-group 1
 dialer-group 1
 pulse-time 1
!
interface Cellular0/2/1
 no ip address
 shutdown
 dialer in-band
 pulse-time 1
!
interface GigabitEthernet0
 vrf forwarding Mgmt-intf
 no ip address
 negotiation auto
!
interface Vlan1
 no ip address
!
no ip nat service dns tcp
no ip nat service dns udp
ip nat inside source list 2 interface Cellular0/2/0 overload
```

```

ip forward-protocol nd
ip http server
no ip http secure-server
ip http max-connections 16
ip tftp source-interface GigabitEthernet0/0/1
ip dns server
ip route 0.0.0.0 0.0.0.0 Cellular0/2/0
ip route 0.0.0.0 0.0.0.0 GigabitEthernet0/0/1
ip route 223.255.254.252 255.255.255.255 1.3.0.1
ip route 223.255.254.254 255.255.255.255 1.3.0.1
!
!
access-list 2 permit 10.1.0.0 0.0.255.255
dialer watch-list 1 ip 8.8.8.8 255.255.255.255
dialer watch-list 2 ip 128.107.248.247 255.255.255.255
dialer-list 1 protocol ip permit
!
snmp-server community public RO
snmp-server community private RW
snmp-server community lab RW
snmp-server host 1.3.66.144 public
snmp-server manager
control-plane
!
!
line con 0
  exec-timeout 0 0
  stopbits 1
line aux 0
  exec-timeout 0 0
  stopbits 1
line vty 0 4
  login
  transport input all
!
!
end

```

Verifying the 4G LTE NIM Configuration

You can verify the configuration by using the following show commands:

show version

```

router#show version
Cisco IOS XE Software, Version
BLD_V155_2_S_XE315_THROTTLE_LATEST_20150426_100031-std
Cisco IOS Software, ISR Software (X86_64_LINUX_IOSD-UNIVERSALK9-M),
Experimental Version 15.5(20150426:122654)
[v155_2_s_xe315_throttle-BLD-BLD_V155_2_S_XE315_THROTTLE_LATEST_20150426_10
0031-ios 191]
Copyright (c) 1986-2015 by Cisco Systems, Inc.
Compiled Sun 26-Apr-15 08:54 by mcpre
Cisco IOS-XE software, Copyright (c) 2005-2015 by cisco Systems, Inc.
All rights reserved. Certain components of Cisco IOS-XE software are licensed under the
GNU General Public License ("GPL") Version 2.0. The software code licensed under GPL Version
2.0 is free software that comes with ABSOLUTELY NO WARRANTY. You can redistribute and/or
modify such GPL code under the terms of GPL Version 2.0. For more details, see the
documentation or "License Notice" file accompanying the IOS-XE software, or the applicable
URL provided on the flyer accompanying the IOS-XE software.
ROM: IOS-XE ROMMON
jaller-o2 uptime is 8 minutes

```

Uptime for this control processor is 9 minutes System returned to ROM by reload System image file is "bootflash:isr4400-universalk9.BLD_V155_2_S_XE315_THROTTLE_LATES"

Last reload reason: Reload Command

This product contains cryptographic features and is subject to United States and local country laws governing import, export, transfer and use. Delivery of Cisco cryptographic products does not imply third-party authority to import, export, distribute or use encryption. Importers, exporters, distributors and users are responsible for compliance with U.S. and local country laws. By using this product you agree to comply with applicable laws and regulations. If you are unable to comply with U.S. and local laws, return this product immediately.

A summary of U.S. laws governing Cisco cryptographic products may be found at:

<http://www.cisco.com/wvl/export/crypto/tool/stqrg.html>

If you require further assistance please contact us by sending email to export@cisco.com.

Technology Package License Information:

```

-----
Technology      Technology-package      Technology-package
                Current           Type                Next reboot
-----
appx             None                   None                 None
uc               None                   None                 None
security         None                   None                 None
ipbase           ipbasek9               Permanent            ipbasek9
cisco ISR4451-X/K9 (2RU) processor with 1666170K/6147K bytes of memory.
Processor board ID FTX1803AJST
4 Gigabit Ethernet interfaces
1 Serial interface
3 Cellular interfaces
32768K bytes of non-volatile configuration memory.
4194304K bytes of physical memory.
7393215K bytes of flash memory at bootflash:.
Configuration register is 0x2100
router#

```



Note It is recommended to set the MTU value to 2000. This helps to handle the downlink ICMP packets that are sent from network to the modem with higher value than 1500 bytes.

show platform

```

router# show platform software subslot 0/1/0 module firmware
Cisco Module Firmware, Linux Module Software

```

Microloader Info

```

-----
1
12-12-2014

```

Secure Boot Info

```

-----
Upgrade

```

Upgrade Info

```

-----
/shared_module_linux/10
Apr 21 2015

```

Golden Info

```

-----

```

```

/shared_module_linux/10
Apr 21 2015

Kernel distribution info
-----
Linux version 3.10.39+ (joaller@mcp-bld-lnx-214) (gcc version 4.6.4
20120731 (prerelease) (Linaro GCC branch-4.6.4. Marvell GCC
201301-1645.aee66e26) ) #1 Fri Apr 24 10:57:31 PDT 2015

```

show interfaces

```

router#show interfaces Cellular 0/1/0
Cellular0/1/0 is up
  Hardware is 4G WWAN NIM - Verizon Multimode LTE/eHRPD/EVDO RevA/Rev0/1xRTT
  Internet address is 100.103.214.91/32
  MTU 1500 bytes, BW 1800 Kbit/sec, DLY 20000 usec,
    reliability 255/255, txload 1/255, rxload 1/255
  Keepalive not supported
  DTR is pulsed for 1 seconds on reset
  Last input never, output never, output hang never
  Last clearing of "show interface" counters never
  Input queue: 0/375/0/0 (size/max/drops/flushes); Total output drops: 0
  Queueing strategy: fifo
  Output queue: 0/40 (size/max)
  5 minute input rate 1000 bits/sec, 1 packets/sec
  5 minute output rate 1000 bits/sec, 1 packets/sec
    9 packets input, 886 bytes, 0 no buffer
    Received 0 broadcasts (0 IP multicasts)
    0 runs, 0 giants, 0 throttles
    0 input errors, 0 CRC, 0 frame, 0 overrun, 0 ignored, 0 abort
    88 packets output, 9358 bytes, 0 underruns
    0 output errors, 0 collisions, 2 interface resets
    0 unknown protocol drops
    0 output buffer failures, 0 output buffers swapped out
    0 carrier transitions
router#

```

Configuration Examples for 3G and 4G Serviceability Enhancement

This section contains the following subsections:

Example: Sample Output for the show cellular logs dm-log Command

The following shows a sample output of the **show cellular logs dm-log** command:

```

Router# show cellular 0/1/0 logs dm-log
Integrated DM logging is on
output path = ftp://@172.25.211.175/
filter = generic
maximum log size = 67108864
maximum file size = 20971520
log rotation = disabled
7 packets sent to the modem, 3232 bytes, 0 errors
75 packets received from the modem, 57123 bytes, 0 input drops
75 packets stored in file system, 57123 bytes, 0 errors, 0 aborts
2 max rcv queue size
current file size = 57123
current log size = 57123
total log size = 57123

```

```
DM log files: (1 files)
ftp://@172.25.211.175/dmlog20120712-173831slot1.bin
```

Example: Sample Output for the show cellular logs modem-crashdump Command

The following shows a sample output of the `show cellular logs modem-crashdump` command:

```
Router# show cellular 0 logs modem-crashdump
Modem crashdump logging: off
Progress = 100%
Last known State = Getting memory chunks
Total consecutive NAKs = 0
Number of retries = 0
Memory Region Info:
1: Full SDRAM [Base:0x0, Length:0x2000000]
2: MDSP RAM A region [Base:0x91000000, Length:0x8000]
3: MDSP RAM B region [Base:0x91200000, Length:0x8000]
4: MDSP RAM C region [Base:0x91400000, Length:0xC000]
5: MDSP Register region [Base:0x91C00000, Length:0x28]
6: ADSP RAM A region [Base:0x70000000, Length:0x10000]
7: ADSP RAM B region [Base:0x70200000, Length:0x10000]
8: ADSP RAM C region [Base:0x70400000, Length:0xC000]
9: ADSP RAM I region [Base:0x70800000, Length:0x18000]
10: CMM Script [Base:0x6A350, Length:0x310]
Router#
```

Configuration Examples for 4G LTE NIM

Example: Basic Cellular Interface Configuration: Cisco 4G LTE NIM

The following example shows how to configure the cellular interface to be used as a primary and is configured as the default route:

```
Router# show running-config
interface Cellular 0/1/0
ip address negotiated
dialer in-band
dialer-group 1
ip route 172.22.1.10 255.255.255.255 cellular 0/1/0
dialer-list 1 protocol ip permit
```

Example: GRE Tunnel over Cellular Interface Configuration

The following example shows how to configure the static IP address when a GRE tunnel interface is configured with `ip address unnumbered` *cellular interface*:



Note The GRE tunnel configuration is supported only if the service providers provide a public IP address on the LTE interface.



Note For service providers using a private IP address, the point-to-point static GRE tunnel cannot be set up with a private IP address at one end and a public IP address on the other end.

```
interface Tunnel2
ip unnumbered <internal LAN interface GE0/0 etc.>
tunnel source Cellular0
tunnel destination a.b.c.d
interface Cellular0/1/0
ip address negotiated
no ip mroute-cache
dialer in-band
dialer-group 1
```

Example: 4G LTE NIM as Backup with NAT and IPSec

The following example shows how to configure the 4G LTE NIM on the router as backup with NAT and IPSec:

The receive and transmit speeds cannot be configured. The actual throughput depends on the cellular network service.

For service providers using a private IP address, use the **crypto ipsec transform-set esp** command (that is, **esp-aes esp-sha256-hmac...**).

```
ip dhcp excluded-address 10.4.0.254
!
ip dhcp pool lan-pool
 network 10.4.0.0 255.255.0.0
 dns-server 10.4.0.254
 default-router 10.4.0.254
!
!
chat-script lte "" "AT!CALL" TIMEOUT 20 "OK"
crypto isakmp policy 1
 encr 3des
 authentication pre-share
crypto isakmp key address a.b.c.d
!
!
crypto ipsec transform-set ah-sha-hmac esp-3des
!
crypto map gsml 10 ipsec-isakmp
 set peer a.b.c.d
 set transform-set
 match address 103
!
!
interface ATM0/1/0
 no ip address
 ip virtual-reassembly
 load-interval 30
 no atm ilmi-keepalive
 dsl operating-mode auto
!
interface ATM0/1/0.1 point-to-point
 backup interface Cellular0/3/0
 ip nat outside
```

```

ip virtual-reassembly
no snmp trap link-status
pvc 0/35
  pppoe-client dial-pool-number 2
!
!
interface Cellular0/3/0
  ip address negotiated
  ip nat outside
  ip virtual-reassembly
no ip mroute-cache
  dialer in-band
  dialer idle-timeout 0
  dialer-group 1
  crypto map gsml
!
interface Vlan104
  description used as default gateway address for DHCP clients
  ip address 10.4.0.254 255.255.0.0
  ip nat inside
  ip virtual-reassembly
!
ip address negotiated
  ip mtu 1492
  ip nat outside
  ip virtual-reassembly
  encapsulation ppp
  load-interval 30
  dialer pool 2
  dialer-group 2
  ppp authentication chap callin
  ppp chap hostname cisco@dsl.com
  ppp chap password 0 cisco
  ppp ipcp dns request
  crypto map gsml
!
ip local policy route-map track-primary-if
ip route 0.0.0.0 0.0.0.0 Dialer2 track 234
ip route 0.0.0.0 0.0.0.0 Cellular0/3/0 254
!
!
ip nat inside source route-map nat2cell interface Cellular0/3/0 overload
ip nat inside source route-map nat2dsl overload
!
ip sla 1
  icmp-echo 2.2.2.2 source
  timeout 1000
  frequency 2
ip sla schedule 1 life forever start-time now
access-list 1 permit any
access-list 101 deny ip 10.4.0.0 0.0.255.255 10.0.0.0 0.255.255.255
access-list 101 permit ip 10.4.0.0 0.0.255.255 any
access-list 102 permit icmp any host 2.2.2.2
access-list 103 permit ip 10.4.0.0 0.0.255.255 10.0.0.0 0.255.255.255
dialer-list 1 protocol ip list 1
dialer-list 2 protocol ip permit
!
!
route-map track-primary-if permit 10
  match ip address 102
!
route-map nat2dsl permit 10
  match ip address 101
!

```

Example: SIM Configuration

```

route-map nat2cell permit 10
  match ip address 101
  match interface Cellular0/3/0
!
exec-timeout 0 0
login
modem InOut

```

Example: SIM Configuration

Locking the SIM Card

The following example shows how to lock the SIM. The italicized text in this configuration example is used to indicate comments and are not be seen when a normal console output is viewed.

```

Router# sh cellular 0/1/0 security
Card Holder Verification (CHV1) = Disabled
SIM Status = OK
SIM User Operation Required = None
Number of CHV1 Retries remaining = 3
Router# !! SIM is in unlocked state.!
Router# cellular 0/1/0 lte sim lock 1111
!!!WARNING: SIM will be locked with pin=1111(4).
Do not enter new PIN to lock SIM. Enter PIN that the SIM is configured with.
Call will be disconnected!!!
Are you sure you want to proceed?[confirm]
Router#
Apr 26 19:35:28.339: %CELLWAN-2-MODEM_DOWN: Modem in HWIC slot 0/0 is DOWN
Apr 26 19:35:59.967: %CELLWAN-2-MODEM_UP: Modem in HWIC slot 0/0 is now UP
Router#
Router# sh cellular 0/1/0 security
Card Holder Verification (CHV1) = Enabled
SIM Status = Locked
SIM User Operation Required = Enter CHV1
Number of CHV1 Retries remaining = 3
Router# !! SIM is in locked state.!

```

Unlocking the SIM Card

The following example shows how to unlock the SIM. The italicized text throughout this configuration example is used to indicate comments and will not be seen when a normal console output is viewed.

```

Router# sh cellular 0/2/0 security
Card Holder Verification (CHV1) = Enabled
SIM Status = Locked
SIM User Operation Required = Enter CHV1
Number of CHV1 Retries remaining = 3
Router# !! SIM is in locked state.!
Router# cellular 0/2/0 lte sim unlock 1111
!!!WARNING: SIM will be unlocked with pin=1111(4).
Do not enter new PIN to unlock SIM. Enter PIN that the SIM is configured with.
Call will be disconnected!!!
Are you sure you want to proceed?[confirm]
Router#
Router# sh cellular 0/2/0 security
Card Holder Verification (CHV1) = Disabled
SIM Status = OK
SIM User Operation Required = None
Number of CHV1 Retries remaining = 3
Router# !! SIM is in unlocked state.!

```


Automatic SIM Authentication

The following example shows how to configure automatic SIM authentication. The italicized text throughout this configuration example is used to indicate comments and will not be seen when a normal console output is viewed.

```

Router# show cellular 0/1/0 security
Card Holder Verification (CHV1) = Disabled
SIM Status = OK
SIM User Operation Required = None
Number of CHV1 Retries remaining = 3
Router# !! SIM is in unlocked state.Router# cellular 0/1/0 lte sim lock 1111
!!WARNING: SIM will be locked with pin=1111(4).
Do not enter new PIN to lock SIM. Enter PIN that the SIM is configured with.
Call will be disconnected!!!
Are you sure you want to proceed?[confirm]
Router#
Apr 26 21:22:34.555: %CELLWAN-2-MODEM_DOWN: Modem in HWIC slot 0/0 is DOWN
Apr 26 21:23:06.495: %CELLWAN-2-MODEM_UP: Modem in HWIC slot 0/0 is now UP
Router#
Router# sh cellular 0/1/0 security
Card Holder Verification (CHV1) = Enabled
SIM Status = Locked
SIM User Operation Required = Enter CHV1
Number of CHV1 Retries remaining = 3
Router# !! SIM is in locked state. SIM needs to be in locked state for SIM authentication
to ! work.Router#
Router# configure terminal
Enter configuration commands, one per line. End with CNTL/Z.
Router(config)# controller cellular 0/1/0
Router(config-controller)# lte sim authenticate 0 1111
CHV1 configured and sent to modem for verification
Router(config-controller)# end
Router#
Apr 26 21:23:50.571: %SYS-5-CONFIG_I: Configured from console by console
Router#
Router# sh cellular 0/1/0 security
Card Holder Verification (CHV1) = Enabled
SIM Status = OK
SIM User Operation Required = None
Number of CHV1 Retries remaining = 3
Router#!! SIM is now in locked state but it can be used for connectivity since authentication
is ! good. Authentication can be saved in the router configuration so that when you boot
up ! the router with the same locked SIM, connection can be established with the correct !
Cisco IOS configuration.!

```

Changing the PIN Code

The following example shows how to change the assigned PIN code. The italicized text throughout this configuration example is used to indicate comments and will not be seen when a normal console output is viewed.

```

Router# sh cellular 0/1/0 security
Card Holder Verification (CHV1) = Disabled
SIM Status = OK
SIM User Operation Required = None
Number of CHV1 Retries remaining = 3
Router#!! SIM is in unlocked state.Router#
Router# cellular 0/1/0 lte sim lock 1111
!!WARNING: SIM will be locked with pin=1111(4).
Do not enter new PIN to lock SIM. Enter PIN that the SIM is configured with.

```

Configuring an Encrypted PIN

```

Call will be disconnected!!!
Are you sure you want to proceed?[confirm]
Router#
Apr 26 21:58:11.903: %CELLWAN-2-MODEM_DOWN: Modem in HWIC slot 0/0 is DOWN
Apr 26 21:58:43.775: %CELLWAN-2-MODEM_UP: Modem in HWIC slot 0/0 is now UP
Router#
Router# sh cellular 0/1/0 security
Card Holder Verification (CHV1) = Enabled
SIM Status = Locked
SIM User Operation Required = Enter CHV1
Number of CHV1 Retries remaining = 3
Router#!! SIM is in locked state. SIM needs to be in locked state to change its PIN.!Router#
Router# cellular 0/1/0 lte sim change-pin 1111 0000
!!!WARNING: SIM PIN will be changed from:1111(4) to:0000(4)
Call will be disconnected. If old PIN is entered incorrectly in 3 attempt(s), SIM will be
blocked!!!
Are you sure you want to proceed?[confirm]
Resetting modem, please wait...
CHV1 code change has been completed. Please enter the new PIN in controller configuration
for verification
Router#
Apr 26 21:59:16.735: %CELLWAN-2-MODEM_DOWN: Modem in HWIC slot 0/0 is DOWN
Apr 26 21:59:48.387: %CELLWAN-2-MODEM_UP: Modem in HWIC slot 0/0 is now UP
Router#
Router#
Router# sh cellular 0/1/0 security
Card Holder Verification (CHV1) = Enabled
SIM Status = Locked
SIM User Operation Required = Enter CHV1
Number of CHV1 Retries remaining = 3
Router#!! SIM stays in locked state, as expected, but with new PIN.!Router# cellular 0/1/0
lte sim unlock 0000
!!!WARNING: SIM will be unlocked with pin=0000(4).
Do not enter new PIN to unlock SIM. Enter PIN that the SIM is configured with.
Call will be disconnected!!!
Are you sure you want to proceed?[confirm]
Router#
Router# show cellular 0/1/0 security
Card Holder Verification (CHV1) = Disabled
SIM Status = OK
SIM User Operation Required = None
Number of CHV1 Retries remaining = 3
Router#!! Unlock with new PIN is successful. Hence, changing PIN was successful.!

```

Configuring an Encrypted PIN

The following example shows how to configure automatic SIM authentication using an encrypted PIN. The italicized text throughout this configuration example is used to indicate comments and will not be seen when a normal console output is viewed.

```

Router# configure terminal
Enter configuration commands, one per line. End with CNTL/Z.
Router(config)# service password-encryption
Router(config)# username SIM privilege 0 password 1111
Router(config)# do sh run | i SIM
username SIM privilege 0 password 7 055A575E70.!! Copy the encrypted level 7 PIN. Use this
scrambled PIN in the SIM authentication ! command.!

Router(config)# controller cellular 0//1/0
Router(config-controller)# lte sim authenticate 7 055A575E70
CHV1 configured and sent to modem for verification
Router(config-controller)# exit
Router(config)# no username SIM

```

```
Router(config)# end
May 14 20:20:52.603: %SYS-5-CONFIG_I: Configured from console by console
```

Upgrading the Modem Firmware

The following table describes the Sierra Wireless modems that are supported on Cisco 4G LTE NIMs. The firmware for the modem is upgradable using Cisco IOS commands. The firmware is a Crossword Express (cwe) file and can be downloaded from the wireless software download page on Cisco.com.



Note Firmware upgrade is supported on utility flash.

Online Insertion and Removal of the Module (OIRM) is supported in IOS XE and was not supported in Classic IOS.

Use only Cisco certified firmware. Using a firmware version not certified by Cisco may impact the wireless service provider network adversely.



Caution Do not disconnect power or switch the router off during the firmware upgrade process. This may result in permanent modem failure.



Note Firmware downgrade is not supported.

Table 3: Modem SKUs

SKU	Modem
• NIM4GLTE-VZ	MC7350
• NIM4GLTE-ST	MC7350
• NIM4GLTE-NA	MC7354
• NIM4GLTE-GA	MC7304

Upgrading the Modem Firmware Manually With CLI

Procedure

	Command or Action	Purpose
Step 1	Go to the Cisco Wireless WAN software download website at: http://software.cisco.com/download/navigator.html	Provides access to Cisco Wireless WAN software downloads page to select the firmware for Cisco 4G. Note This website is only available to registered Cisco.com users.

	Command or Action	Purpose
Step 2	On the Cisco Wireless WAN software page, go to Products -> Cisco Interfaces and Modules -> Cisco High-Speed WAN interface Cards and select your product from the list of available cards.	Select your product for firmware upgrade.
Step 3	Select and download the appropriate firmware.	Download the modem firmware file to flash memory on the router.
Step 4	terminal monitor Example: Router# terminal monitor	Enables the logging console in privileged EXEC mode.
Step 5	microcode reload cellular pa-bay slot modem-provision [flash:<filename> <filename> local] Example: Router# microcode reload cellular 0 1 modem-provision flash:<filename>.cwe F/W Upgrade: Complete Successfully or Router# microcode reload cellular 0 1 modem-provision <filename>.cwe local F/W Upgrade: Complete Successfully	Initiates the firmware upgrade process. <ul style="list-style-type: none"> • pa-bay—Use 0 for 4G LTE NIM. • slot—For 4G LTE NIM, slot number, 0 to 3, where the 4G LTE NIM is plugged in. • For remote download, you can transfer this using the wireless link from Cisco.com onto flash.
Step 6	show cellular 0 hardware Example: Router# show cellular 0 hardware Modem Firmware Version = SWI9200X_03.05.10.02 Modem Firmware built = 2012/02/25 11:58:38	Verifies the firmware upgrade process.
Step 7	reload	Reloads the IOS application software image to complete the firmware upgrade. Note Ensure that you are reloading an IOS software image that is 15.2(4)M3 or later.

MC7350 Manual Modem Firmware Upgrade: Example

```
Router# microcode reload cellular 0 0 modem-provision flash:MC7350_ATT_03.05.10.02_00.cwe

Reload microcode? [confirm] <hit enter key>
Log status of firmware download in router flash?[confirm] <hit enter key>
Firmware download status will be logged in flash:fwlogfile
Microcode Reload Process launched for Cellular 37946756; hw type = 0x6F3
```

```

Router#
*****
The interface will be Shut Down for Firmware Upgrade
This will terminate any active data connections.
*****
Modem radio has been turned off
*****
Modem will be upgraded!
Upgrade process will take up to 15 minutes. During
this time the modem will be unusable.
Please do not remove power or reload the router during
the upgrade process.
*****
Sending F/W[MC7300_ATT_03.05.10.02_00.cwe] to the card [41569157 bytes]:
Firmware file: MC7300_ATT_03.05.10.02_00.cwe sent to the card
The current modem F/W App Version: SWI9200X_01.00.03.01AP R2492 CARMD-EN-10526 2011/07/01
19:31:09
The current modem F/W Boot Version: SWI9200X_01.00.03.01BT R2492 CARMD-EN-10526 2011/07/01
19:28:52
The current modem Carrier String: 5
The current modem Router ID: MC7300
The current modem Package Identifier: MC7300_01.00.03.01_00_vzw_020.006_001
The current modem SKU ID: 1584083
FW Upgrade: In the progress.
*Feb 21 23:39:35.407: %CISCO800-2-MODEM_DOWN: Cellular0 modem is now DOWN.
F/W Upgrade: Complete Successfully
*Feb 21 23:42:00.475: %CISCO800-2-MODEM_UP: Cellular0 modem is now UP.
*Feb 21 23:42:00.475: %CISCO800-2-MODEM_DOWN: Cellular0 modem is now DOWN.
*Feb 21 23:42:05.475: %CISCO800-2-MODEM_UP: Cellular0 modem is now UP.
Modem radio has been turned on
Router#show cellular 0 hardware | incl Modem Firmware Version
Modem Firmware Version = SWI9200X_03.05.10.02

```

Configuring dm-log to Utility Flash: Example

```

Router(config)#controller cell
Router(config)#controller cellular 0/2/0
Router(config-controller)#lte modem dm-log output local-uf
Router(config-controller)#
*May 8 17:57:09.905: %SYS-5-CONFIG_I: Configured from console by console
Router#
Router#
Router#show cellular 0/2/0 logs dm-log
Integrated DM logging is on
output path = Utility Flash
filter = flash:GSM_GPRS_EDGE_WCDMA_LTE_DATA_EVDO_SMS.sqf
maximum log size = 0
maximum file size = 0
log rotation = enabled
32 packets sent to the modem, 4046 bytes, 0 errors
0 packets received from the modem, 0 bytes, 0 input drops
0 packets stored in utility flash, 0 bytes
current file size = 0
current log size = 0
total log size = 49085085
Utility Flash DM log files: (4) files
dmlog20150428-175801.bin 20971433
dmlog20150428-181511.bin 20971271
dmlog20150428-183250.bin 7142381
dmlog20150508-184621.bin 114688
Router#

```

SNMP MIBs



Note It is recommended that you configure SNMP V3 with authentication/privacy when implementing SNMP SET operation.

The following Simple Management Network Protocol (SNMP) MIBs are supported on Cisco 4G LTE NIMs:

- IF-MIB
- ENTITY-MIB
- CISCO-WAN-3G-MIB

For the CISCO-WAN-3G-MIB, the following tables and sub-tables are supported for 3G and LTE technologies:

- ciscoWan3gMIB(661)
- ciscoWan3gMIBNotifs(0)
- ciscoWan3gMIBObjects(1)
- c3gWanCommonTable(1)
- c3gWanGsm(3)
- c3gGsmIdentityTable(1)
- c3gGsmNetworkTable(2)
- c3gGsmPdpProfile(3)
- c3gGsmPdpProfileTable(1)
- c3gGsmPacketSessionTable(2)
- c3gGsmRadio(4)
- c3gGsmRadioTable(1)
- c3gGsmSecurity(5)
- c3gGsmSecurityTable(1)

You can download the MIBs from the Cisco MIB Locator at <http://www.cisco.com/go/mibs>.

SNMP 4G LTE NIM Configuration: Example

The following example describes how to configure SNMP capability on the router:

```
snmp-server group neomobilityTeam v3 auth notify 3gView
snmp-server view 3gView ciscoWan3gMIB included
snmp-server community neomobility-test RW
snmp-server community public RW
snmp-server enable traps c3g
snmp-server host 172.19.153.53 neomobility c3g
snmp-server host 172.19.152.77 public c3g
snmp-server host 172.19.152.77 public udp-port 6059
```

The following example describes how to configure an external host device to communicate with the router through SNMP:

```
setenv SR_MGR_CONF_DIR /users/<userid>/mibtest
setenv SR_UTIL_COMMUNITY neomobility-test
setenv SR_UTIL_SNMP_VERSION -v2c
setenv SR_TRAP_TEST_PORT 6059
```

Troubleshooting

This section provides the necessary background information and resources available for troubleshooting the Cisco 4G LTE NIM.

Verifying Data Call Setup

To verify the data call setup, follow these steps:

1. After you create a modem data profile using the cellular profile create command and configuring DDR on the cellular interface, send a ping from the router to a host across the wireless network.
2. If the ping fails, debug the failure by using the following debug and show commands:
3. **debug chat**
4. **debug modem**
5. **debug dialer**
6. **show cellular all**
7. **show interface cellular**
8. **show running-config**
9. **show ip route**
10. Save the output from these commands and contact your system administrator.

Checking Signal Strength

If the Received Signal Strength Indication (RSSI) level is very low (for example, if it is less than -110 dBm), follow these steps:

1. Check the antenna connection. Make sure the TNC connector is correctly threaded and tightened.
2. If you are using a remote antenna, move the antenna cradle and check if the RSSI has improved.
3. Contact your wireless service provider to verify if there is service availability in your area.

Verifying Service Availability

The following is a sample output for the **show cellular all** command for a scenario where the antenna is disconnected and a modem data profile has not been created. The errors in this case have been highlighted with >>>>>>>> .

```
Router# show cellular 0/1/0 all
Hardware Information
=====
Modem Firmware Version = SWI9600M_01.00.09.03
Modem Firmware built = 2011/07/01 19:31:09
Hardware Version = 20460000
International Mobile Subscriber Identity (IMSI) = <specific sim number>
International Mobile Equipment Identity (IMEI) = <specific modem number>
Electronic Serial Number (ESN) = <specific ESN in Hex> [specific ESN in Dec]
Integrated Circuit Card ID (ICCID) = <specific ICCID number>
Mobile Subscriber International Subscriber
Identity Number (MSISDN) = <specific phone number>
Profile Information
=====
* - Default profile
```

```

>>>>>>

no profile here.
Data Connection Information
=====
Profile 1, Packet Session Status = INACTIVE
    Inactivity Reason = Normal inactivate state
Profile 2, Packet Session Status = INACTIVE
    Inactivity Reason = Normal inactivate state
Profile 3, Packet Session Status = INACTIVE
    Inactivity Reason = Normal inactivate state
Profile 4, Packet Session Status = INACTIVE
    Inactivity Reason = Normal inactivate state
Profile 5, Packet Session Status = INACTIVE
    Inactivity Reason = Normal inactivate state
Profile 6, Packet Session Status = INACTIVE
    Inactivity Reason = Normal inactivate state
Profile 7, Packet Session Status = INACTIVE
    Inactivity Reason = Normal inactivate state
Profile 8, Packet Session Status = INACTIVE
    Inactivity Reason = Normal inactivate state
Profile 9, Packet Session Status = INACTIVE
    Inactivity Reason = Normal inactivate state
Profile 10, Packet Session Status = INACTIVE
    Inactivity Reason = Normal inactivate state
Profile 11, Packet Session Status = INACTIVE
    Inactivity Reason = Normal inactivate state
Profile 12, Packet Session Status = INACTIVE
    Inactivity Reason = Normal inactivate state
Profile 13, Packet Session Status = INACTIVE
    Inactivity Reason = Normal inactivate state
Profile 14, Packet Session Status = INACTIVE
    Inactivity Reason = Normal inactivate state
Profile 15, Packet Session Status = INACTIVE
    Inactivity Reason = Normal inactivate state
Profile 16, Packet Session Status = INACTIVE
    Inactivity Reason = Normal inactivate state

Network Information
=====
Current Service Status = No service, Service Error = None
>>>>>> no service means not connected to the network.
Current Service = Packet Switched
Current Roaming Status = Home
Network Selection Mode = Automatic
Country = , Network =
Mobile Country Code (MCC) = 0
Mobile Network Code (MNC) = 0
Radio Information
=====
Radio power mode = Online
Current RSSI = -125 dBm
>>>>>> either no antenna, or bad antenna or out of network.
Radio power mode = Online
LTE Technology Selected = LTE
Modem Security Information
=====
Card Holder Verification (CHV1) = Disabled
SIM Status = OK
SIM User Operation Required = None
Number of CHV1 Retries remaining = 3

```


Successful Call Setup

The following is a sample output when a call is set up. It shows a received IP address from the network. Call setup is successful and data path is open.

```
debugs
debug dialer
debug cellular 0/1/0 messages callcontrol
```

Modem Troubleshooting Using Integrated Modem DM Logging

As part of the 3G and 4G serviceability enhancement in Cisco IOS Release 15.2(4)M2 and Cisco IOS Release 15.3(1)T, DM log collection has been integrated into Cisco IOS, eliminating the need for an external PC and simplifying the DM log collection process. The `lte modem dm-log` command can be used in controller cellular configuration mode to configure integrated DM logging to monitor traffic on the modem. See the [Cisco 3G and 4G Serviceability Enhancement User Guide](#) for more information on configuring Integrated DM Logging parameters.

Modem Settings for North America and Carriers Operating on 700 MHz Band

For HWIC-3G deployments in North America and for carriers operating in the 700 MHz band, the following changes to the modem settings are required to prevent long network attach times.

The output of `show cellular x/x/x all` command shows the following:

- Current RSSI is -125 dBM
- LTE Technology Preference = No preference specified (AUTO)

The following sections explain useful commands for changing modem settings:

Changing Modem Settings

To change the modem settings to force the modem to scan different technologies, use the following Cisco IOS command:

```
Router# cellular 0/1/0 lte technology ?
auto          Automatic LTE Technology Selection
cdma-1xrtt    CDMA 1xRTT
cdma-evdo     CDMA EVDO Rev A
cdma-hybrid   HYBRID CDMA
gsm           GSM
lte           LTE
umts          UMTS
```

Electronic Serial Number (ESN)

The ESN number is located directly on the modem label in hexadecimal notation. It can also be retrieved using the Cisco IOS CLI using the `show cellular slot/port/hwic hardware` command.

The sample output below shows the ESN number:

```
Hardware Information
=====
Electronic Serial Number (ESN) = 0x603c9854 [09603971156]
Electronic Serial Number (ESN) = <specific ESN in hexadecimal> [specific ESN in decimal]
```

Additional References

Related Documents

Related Topic	Document Title
Cisco IOS commands	<ul style="list-style-type: none"> • <i>Cisco IOS Master Commands List, All Releases</i> http://www.cisco.com/en/US/docs/ios/mcl/allreleasemcl/all_book.html
Hardware Overview and Installation	<ul style="list-style-type: none"> • <i>Cisco 4G-LTE Wireless WAN EHWIC</i> http://www.cisco.com/en/US/docs/routers/access/interfaces/ic/hardware/installation/guide/EHWIC-4G-LTE.html • <i>Cisco Fourth-Generation LTE Network Interface Module Installation Guide</i> http://www.cisco.com/c/en/us/td/docs/routers/access/interfaces/NIM/hardware/installation/guide/4GLTENIM.html
Supported Cisco antennas and cables	<ul style="list-style-type: none"> • <i>Installing Cisco Interface Cards in Cisco Access Routers</i> http://www.cisco.com/en/US/docs/routers/access/interfaces/ic/hardware/installation/guide/inst_ic.html • <i>Cisco 4G/3G Omnidirectional Dipole Antenna (4G-LTE-ANTM-D)</i> http://www.cisco.com/en/US/docs/routers/access/wireless/hardware/notes/4G3G_ant.html • <i>Cisco 4G Indoor Ceiling-Mount Omnidirectional Antenna (4G-ANTM-OM-CM)</i> http://www.cisco.com/en/US/docs/routers/access/wireless/hardware/notes/antcm4gin.html • <i>Cisco Outdoor Omnidirectional Antenna for 2G/3G/4G Cellular (ANT-4G-OMNI-OUT-N)</i> http://www.cisco.com/en/US/docs/routers/connectedgrid/antennas/installing/Outdoor_Omni_for_2G_3G_4G.html • <i>Cisco Integrated 4G Low-Profile Outdoor Saucer Antenna (ANT-4G-SR-OUT-TNC)</i> http://www.cisco.com/en/US/docs/routers/connectedgrid/antennas/installing/4G_LowProfile_Outdoor_Saucer.html • <i>Cisco Single-Port Antenna Stand for Multiband TNC Male-Terminated Portable Antenna (Cisco 4G-AE)</i> http://www.cisco.com/en/US/docs/routers/access/wireless/hardware/notes/4Gantex15-10r.html • <i>Cisco 4G Lightning Arrestor (4G-ACC-OUT-LA)</i> http://www.cisco.com/en/US/docs/routers/access/wireless/hardware/notes/4Glar.html • <i>Lightning Arrestor for the Cisco 1240 Connected Grid Router</i> http://www.cisco.com/en/US/docs/routers/connectedgrid/lightning_arrestor/Lightning_Arrestor_for_the_Cisco_1240.html • <i>Cisco 4G Indoor/Outdoor Active GPS Antenna (GPS-ACT-ANTM-SMA)</i> http://www.cisco.com/en/US/docs/routers/connectedgrid/antennas/installing/GPS-ACT-ANTM-SMA.html
Datasheet	<ul style="list-style-type: none"> • Modules data sheets for ISR4k http://www.cisco.com/c/en/us/products/routers/4000-series-integrated-services-routers-isr/datasheet-listing.html • LTE datasheet http://www.cisco.com/en/US/docs/routers/access/wireless/hardware/notes/4Gantex15-10r.html http://www.cisco.com/c/en/us/td/docs/routers/access/4400/roadmap/isr4400roadmap.html

Related Topic	Document Title
ISR 4K	<ul style="list-style-type: none"> • Overview http://www.cisco.com/c/en/us/products/routers/4000-series-integrated-services-routers-isr/index.html • Roadmap http://www.cisco.com/en/US/docs/routers/access/wireless/hardware/notes/4Gantex15-10r.html http://www.cisco.com/c/en/us/td/docs/routers/access/4400/roadmap/isr4400roadmap.html • Cisco 4000 Series ISRs Software Configuration Guide http://www.cisco.com/c/en/us/td/docs/routers/access/4400/software/configuration/guide/isr4400swcfg.htm • Hardware Installation Guide for the Cisco 4000 Series Integrated Services Router http://www.cisco.com/en/US/docs/routers/access/wireless/hardware/notes/4Gantex15-10r.html http://www.cisco.com/c/en/us/td/docs/routers/access/4400/hardware/installation/guide4400-4300/C4400_

MIBs

MIB	MIBs Link
<ul style="list-style-type: none"> • IF-MIB • CISCO-ENTITY-VENDORTYPE-OID-MIB • CISCO-WAN-3G-MIB 	<p>To locate and download MIBs for selected platforms, Cisco software releases, and feature sets, use Cisco MIB Locator found at the following URL:</p> <p>http://www.cisco.com/go/mibs</p>

RFCs

RFC	Title
RFC 3025	Mobile IP Vendor/Organization-Specific Extensions

Technical Assistance

Description	Link
The Cisco Support and Documentation website provides online resources to download documentation, software, and tools. Use these resources to install and configure the software and to troubleshoot and resolve technical issues with Cisco products and technologies. Access to most tools on the Cisco Support and Documentation website requires a Cisco.com user ID and password.	http://www.cisco.com/cisco/web/support/index.html

