

Troubleshoot Polarization in Port-Channel Load Balancing

Contents

[Introduction](#)

[Prerequisites](#)

[Requirements](#)

[Components Used](#)

[Background](#)

[Topology](#)

[Configuration](#)

[Traffic Flow](#)

[Troubleshooting](#)

[Workarounds](#)

Introduction

This document describes scenarios under which polarization in port-channel load balancing could occur and provides suggestions on how to prevent them.

Prerequisites

Requirements

Cisco recommends that you have knowledge of these topics:

- [Link Aggregation Control Protocol \(LACP\) \(802.3ad\) for Gigabit Interfaces](#)
- Cisco Nexus Platforms

Components Used

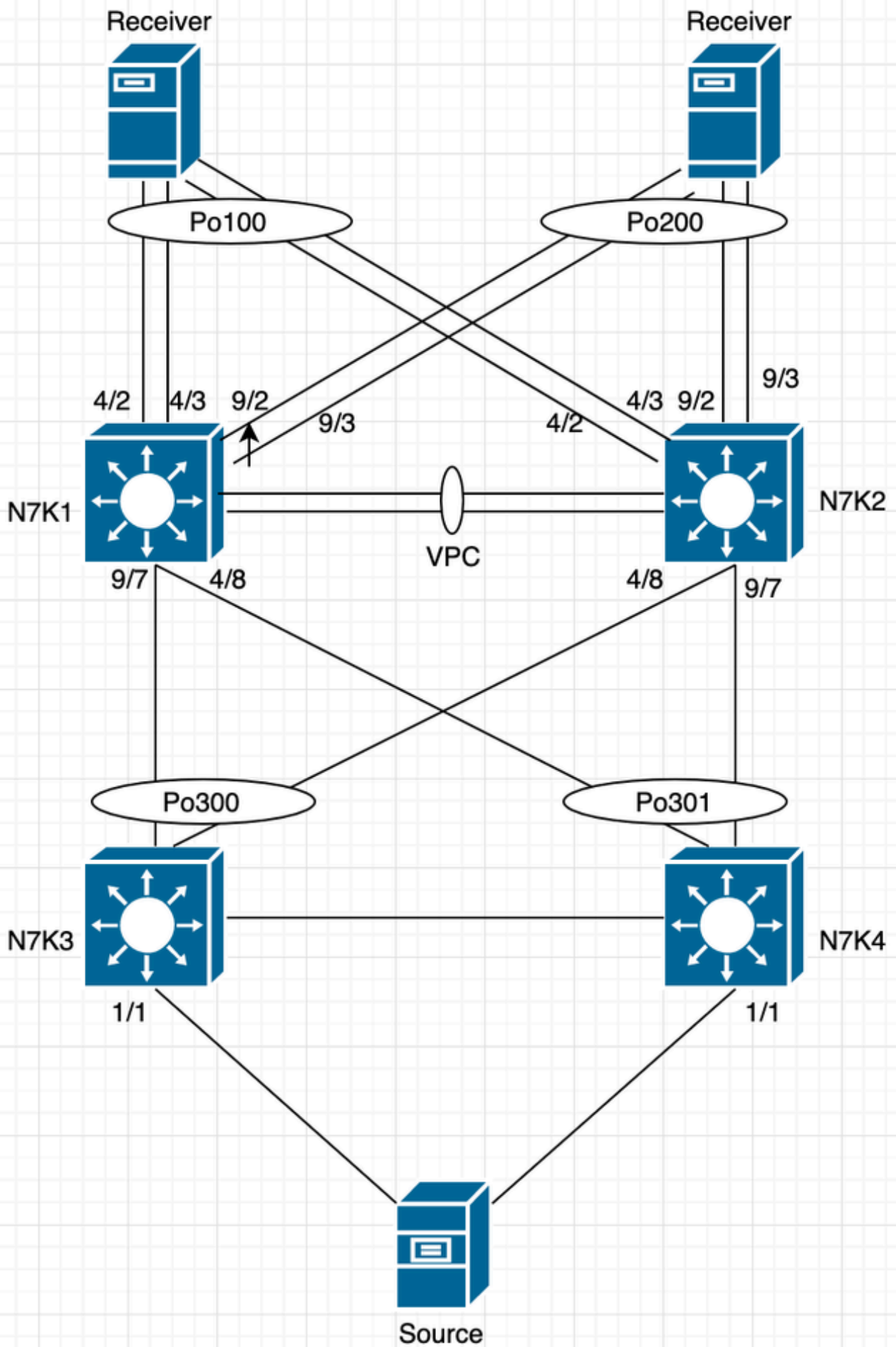
This document is not restricted to specific software and hardware versions.

The information in this document was created from the devices in a specific lab environment. All of the devices used in this document started with a cleared (default) configuration. If your network is live, ensure that you understand the potential impact of any command.

Background

Polarization is an issue where the hash algorithm selects certain paths in the network and leaves redundant paths unused.

Topology



Configuration