



# Nortel CS1000M Release 4.0 to a Cisco IAD243X using E1-MELCAS E&M Immediate-Start with SIP

January 10, 2007 Initial Version

## Table of Contents

Introduction .....	1
Network Topology.....	2
Limitations.....	2
Hardware Requirements .....	3
Software Requirements .....	3
Features .....	3
Features Supported.....	3
Features Not Supported .....	3
Configuration.....	3
Configuring the Nortel Meridian 1 Option 11C PBX.....	3
Cisco IAD2432 24FXS Configuration .....	10
Acronyms .....	14

## Introduction

This is an application note for connectivity to Nortel CS1000 Succession 4.0 PBX with Cisco IAD243X Gateway via E1 MELCAS E&M immediate start-to-SIP communication (10/100baseT).

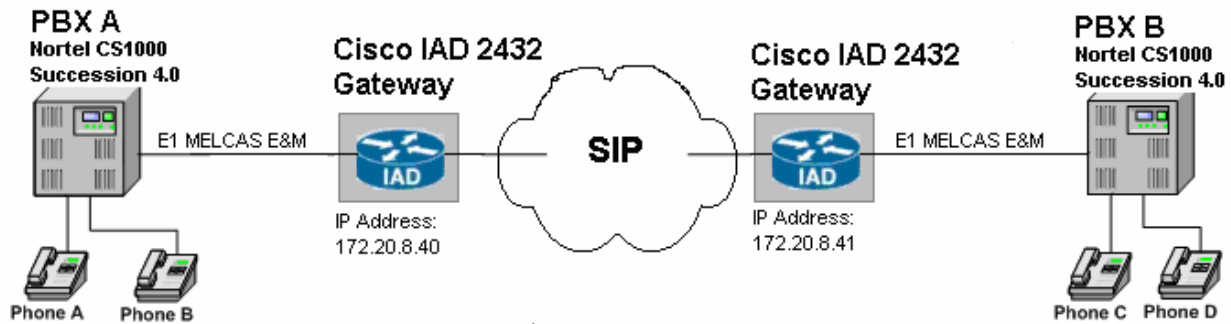
The network topology diagram (Figure 1) shows the test setup for end-to-end interoperability with the Cisco IAD243X Gateway connected to the PBX via MELCAS E&M (E1 MELCAS). IP trunk connectivity between the IAD243X's is achieved by using SIP protocol.



## Network Topology

Figure 1. Basic Call Setup

### Basic Call Setup End-to-End Configuration



## Limitations

When a 3-way call conference is initiated by the external calling phone to conference a local phone (e.g. Phone A calls Phone C, Phone C answers. Phone A conferences in Phone D), the call will be dropped on all phones if the external calling phone hangs-up.

Call Forward No Answer does not interoperate. This limitation is an interworking issue between PBX and gateway

ANI (Automatic Number Identification) is not supported with the detailed Avaya configuration.



### **Hardware Requirements**

- 2 Cisco IAD2432 24FXS
- 2 Nortel CS1000M PBX
- 2 Nortel 2616 Digital phones
- 1 Cisco Catalyst switch

### **Software Requirements**

- Nortel PBX: Succession 4.0
- Cisco IOS Release: c2430-ik9o3s-mz-124-9.T1

### **Features**

#### **Features Supported**

- Basic end-to-end calls
- Call Transfer – Local and Network/External
- Call on-hold
- Call Forward (Unconditional, Busy ) – Local and Network/External, (No answer) – Only Local CF
- 3-way Conference

#### **Features Not Supported**

- ANI

### **Configuration**

#### **Configuring the Nortel Meridian 1 Option 11C PBX**

Configure in the following sequence:

1. Configure common equipment
2. Configure the Route Data Block.
3. Configure the Trunk Data Block
4. DTI2 Signaling Category Configuration
5. DTI2 Physical layer configuration
6. Configure the Coordinated Dialing Plan
7. Configure the Digital Station Phone



E1 CAS E&M Immediate-Start

\*\*\*\*\*

**Common Equipment Configuration**

\*\*\*\*\*

>ld 22  
PT2000

REQ prt  
TYPE cequ

CEQU  
MPED 8D  
SUPL 000 004 008 012  
    016 032 036 040  
    044 048 064 068  
    072 V096 V100  
TDS 000  
CONF 029 030 031 062  
    094 095

DLOP NUM DCH FRM TMDI LCMT YALM T1TE TRSH  
PRI 02 23 ESF NO B8S FDL - 00  
    04 24 ESF YES B8S DG2 0 00  
    05 24 ESF NO B8S FDL - 00  
    07 23 ESF NO B8S FDL - 00  
PRI2 11  
DTI2 06 12 13 21  
MISP

\*\*\*\*\*

**Route Data Block Configuration**

\*\*\*\*\*

>ld 21  
PT1000

REQ: prt  
TYPE: rdb  
CUST 0  
ROUT 106

TYPE RDB  
CUST 00  
DMOD  
ROUT 106  
DES E1\_DT2\_DID  
TKTP DID  
NPID\_TBL\_NUM 0  
SAT NO  
RCLS EXT  
VTRK NO  
NODE  
DTRK YES  
DGTP DTI2  
ISDN NO  
DSEL VOD  
PTYP DCO



AUTO NO  
DNIS NO  
ICOG IAO  
RANX NO  
SRCH RRB  
TRMB YES  
STEP  
ACOD 506  
CPP NO  
TARG 01  
CLEN 1  
BILN NO  
OABS  
INST  
TIMR ICF 512  
    OGF 512  
    EOD 13952  
    DSI 34944  
    NRD 10112  
    DDL 70  
    ODT 4096  
    RGV 640  
    FLH 510  
    GRD 896  
    SFB 3  
  
    IENB 5  
    VSS 0  
    VGD 6  
SST 5 0  
NEDC ORG  
FEDC ORG  
CPDC NO  
DLTN NO  
HOLD 02 02 40  
SEIZ 02 02  
SVFL 02 02  
DRNG NO  
CDR NO  
VRAT NO  
MUS NO  
MR NO  
MANO NO  
EQAR NO  
FRL 0 0  
FRL 1 0  
FRL 2 0

PAGE 002

FRL 3 0  
FRL 4 0  
FRL 5 0  
FRL 6 0  
FRL 7 0  
OHQ NO  
OHQT 00  
TTBL 0



ATAN NO  
OHTD NO  
PLEV 2  
MCTS NO  
ALRM NO  
ART 0  
OPDL 0  
SGRP 0  
AACR NO

\*\*\*\*\*  
**Trunk Data Block Configuration**  
\*\*\*\*\*

>ld 20

PT0000  
REQ: prt  
TYPE: did\*  
TYPE: tnb  
TN 6 1  
DATE  
PAGE  
DES

DES E1\_CAS  
TN 006 01  
TYPE DID  
CUST 0  
TRK DTI2  
SICA 3  
PDCA 1  
PCML A  
NCOS 0  
RTMB 106 1  
NITE  
AST NO  
IAPG 0  
CLS UNR DTN WTA LPR APN THFD  
P10  
TKID 106  
AACR NO  
DATE 25 OCT 2006

\*\*\*\*\*  
**DTI2 Signaling Category Configuration**  
\*\*\*\*\*

>ld 73  
DDB000  
MEM AVAIL: (U/P): 2827806 USED U P: 200312 68457 TOT: 3096575  
DISK RECS AVAIL: 1153  
REQ prt  
TYPE dti2  
FEAT abcd  
SICA 3  
TNLS

IN/OUT CALLS



IDLE (S)1101  
IDLE (R)1101  
FALT (S)1001  
FALT (R)1001  
P RRC (S)UNUSED  
INCOMING CALLS  
E SEZ (R)0101  
SEZD (R)UNUSED  
SEZV (R)UNUSED  
P CALL (R)UNUSED  
SEZA (S)1101  
TIME 150  
FSZA NO  
PRCS (S)UNUSED  
P WNKS (S)UNUSED  
P DIGT (R)UNUSED  
NRCV (S)UNUSED  
P EOSF (S)UNUSED  
EOSF (S)UNUSED  
P EOSB (S)UNUSED  
EOSB (S)UNUSED  
P OPCA (R)UNUSED  
E CONN (S)0101  
CONN (R)0001  
P BURS (S)UNUSED  
P BURS (R)UNUSED  
C CLRB (S)1101  
P RCTL (S)UNUSED  
P RCOD (S)UNUSED  
P OPRS (R)UNUSED  
P NXFR (S)UNUSED  
P ESNW (S)UNUSED  
P CAS (S)UNUSED  
CLRF (R)UNUSED  
SOS (R)UNUSED  
OUTGOING CALLS  
E SEZ (S)0101  
SEZD (S)UNUSED  
SEZV (S)UNUSED  
SEZA (R)1101  
P WNKS (R)UNUSED  
P EOS (R)UNUSED  
CONN (S)0001  
E CONN (R)0101  
P OPRC (R)UNUSED  
P BURS (S)UNUSED  
P BURS (R)UNUSED  
C CLRB (R)1101  
P RCTL (R)UNUSED  
P NXFR (R)UNUSED  
P ESNW (R)UNUSED  
P CAS (R)UNUSED  
CLRF (S)UNUSED  
SOS (R)UNUSED  
MEM AVAIL: (U/P): 2827806 USED U P: 200312 68457 TOT: 3096575  
DISK RECS AVAIL: 1153



\*\*\*\*\*

**DTI2 Physical Configuration**

\*\*\*\*\*

>ld 73  
DDB000  
MEM AVAIL: (U/P): 2827806 USED U P: 200312 68457 TOT: 3096575  
DISK RECS AVAIL: 1153  
REQ prt  
TYPE dti2  
FEAT lpti  
LOOP 6

CDTI2 NO  
P DIGT (S) PXXX  
P METR (R) UNUSED  
PPMD NO  
SASU 1920  
MFAO NO  
SZNI NO  
LCLB NO  
UCFS 1101

MFFF AFF =====>  
CRC 205 10 S 3 S 3 S 1 S  
BPV 205 10 S 3 S 3 S 1 S  
FAP 32 4 S 1 S 1 S 100 T  
SLP 20 30 S 10 S 10 S 6 S  
GP2 20 100 S 12 S 12 S 4 S  
MEM AVAIL: (U/P): 2827806 USED U P: 200312 68457 TOT: 3096575  
DISK RECS AVAIL: 1153

When MFF=AFF IOS config under E1 controller must be set to "framing NO-crc4, When MFF=CRC IOS config under E1 controller must be set to "framing crc4"

\*\*\*\*\*

**CDP config**

\*\*\*\*\*

>ld 87  
ESN000  
  
MEM AVAIL: (U/P): 2827806 USED U P: 200312 68457 TOT: 3096575  
DISK RECS AVAIL: 1152  
REQ prt  
CUST 0  
FEAT cdp  
TYPE dsc  
DSC 533  
DSC 533  
FLEN 0  
DSP LSC  
RLI 6  
NPA  
NXX





\*\*\*\*\*

**Station Data Configuration**

\*\*\*\*\*

REQ: prt  
TYPE: 2616

TN 19  
DATE  
PAGE  
DES

DES CS101A  
TN 001 0 00 09  
TYPE 2616  
CDEN 8D  
CUST 0  
AOM 0  
FDN 2332  
TGAR 1  
LDN NO  
NCOS 0  
SGRP 0  
RNPG 0  
SCI 0  
SSU  
XLST

CLS CTD FBA WTA LPR MTD FNA HTA ADD HFD  
MWA LMPN RMMD SMWD AAD IMD XHD IRD NID OLD VCE DRG1  
POD DSX VMD CMSD SLKD CCSD SWD LND CNDA  
CFTA SFD MRD DDV CNIA CDCA MSID DAPA BFED RCBD  
ICDD CDMD LLCN MCTD CLBD AUTU  
GPUD DPUD DNDA CFXA ARHD CLTD ASCD  
CPFA CPTA ABDD CFHD FICD NAID BUZZ AGRD MOAD AHD  
DDGA NAMA  
DRDD EXR0  
USRD ULAD RTDD RBDD RBHD PGND OCBF FLXD FTTC DNDY DNO3 MCBN CDMR

CPND\_LANG ENG  
RCO 0  
EFD 2332  
HUNT 2332  
EHT 2332  
LHK 0  
PLEV 02  
CSDN  
AST  
IAPG 0  
AACS NO  
ITNA NO  
DGRP  
MLWU\_LANG 0  
DNDR 0  
KEY 00 SCR 2333 0 MARP

CPND  
NAME ZEUS\_2333  
XPLN 9  
DISPLAY\_FMT FIRST, LAST

01



```
02
03 CFW 4 2332
04 AO6
05 TRN
06
07
08
09
10
11
12
13
14
15 RGA
```

### Cisco IAD2432 24FXS Configuration

```
IAD_cs101#sh run
Building configuration...
```

```
Current configuration : 2256 bytes
!
version 12.4
service timestamps debug datetime msec
service timestamps log datetime msec
no service password-encryption
!
hostname IAD_cs101
!
boot-start-marker
boot system flash:c2430-ik9o3s-mz-124-9.T1.bin
boot-end-marker
!
card type e1 1
logging buffered 10000000 debugging
no logging console
enable secret 5 $1$WJPz$ZoIKHvDdxxTEDUc2AwOoM0
!
no aaa new-model
!
resource policy
!
network-clock-participate E1 1/0
network-clock-participate E1 1/1
network-clock-select 1 E1 1/1
!
!
no ip domain lookup
!
!
!
isdn switch-type primary-qsig
!
voice-card 0
!
!
!
!
```



```
voice service voip
  notify redirect ip2pots
  !
  !
  !
  !
  !
  !
  controller E1 1/0
    shutdown
    framing NO-CRC4
  !
  controller E1 1/1
    mode cas
    framing NO-CRC4
    ds0-group 0 timeslots 1-15,17-30 type e&m-melcas-immed
  !
  !
  !
  !
  !
  interface FastEthernet0/0
    ip address 172.20.8.40 255.255.255.0
    ip broadcast-address 0.0.0.0
    duplex auto
    speed auto
  !
  interface FastEthernet0/1
    no ip address
    ip broadcast-address 0.0.0.0
    shutdown
    duplex auto
    speed auto
  !
  ip default-gateway 172.20.8.1
  ip http server
  no ip http secure-server
  !
  ip route 0.0.0.0 0.0.0.0 172.20.8.1
  !
  !
  !
  tftp-server flash:c2430-is-mz.sb93109
  !
  !
  control-plane
  !
  !
  !
  voice-port 1/1:0
  !
  voice-port 2/0
  !
  voice-port 2/1
  !
  voice-port 2/2
  !
```



```
voice-port 2/3
!  
voice-port 2/4
!  
voice-port 2/5
!  
voice-port 2/6
!  
voice-port 2/7
!  
voice-port 2/8
!  
voice-port 2/9
!  
voice-port 2/10
!  
voice-port 2/11
!  
voice-port 2/12
!  
voice-port 2/13
!  
voice-port 2/14
!  
voice-port 2/15
!  
voice-port 2/16
!  
voice-port 2/17
!  
voice-port 2/18
!  
voice-port 2/19
!  
voice-port 2/20
!  
voice-port 2/21
!  
voice-port 2/22
!  
voice-port 2/23
!  
!  
!  
!  
!  
dial-peer voice 2330 pots  
destination-pattern 2...  
supplementary-service pass-through  
port 1/1:0  
forward-digits all  
!  
dial-peer voice 5330 voip  
destination-pattern 5...  
session protocol sipv2  
session target ipv4:172.20.8.41  
dtmf-relay rtp-nte  
supplementary-service pass-through  
!  
dial-peer voice 4000 voip
```



```
destination-pattern 4...
session protocol sipv2
session target ipv4:172.20.8.41
dtmf-relay rtp-nte
supplementary-service pass-through
!
!
gateway
timer receive-rtp 1200
!
!
!
line con 0
password cisco
login
line aux 0
line vty 0 4
exec-timeout 0 0
password cisco
login
!
end
```

IAD\_cs101#



## Acronyms

Acronym	Definitions
IAD	Integrated Access Device
SIP	Session Initiation Protocol



## Important Information

THE SPECIFICATIONS AND INFORMATION REGARDING THE PRODUCTS IN THIS MANUAL ARE SUBJECT TO CHANGE WITHOUT NOTICE. ALL STATEMENTS, INFORMATION, AND RECOMMENDATIONS IN THIS MANUAL ARE BELIEVED TO BE ACCURATE BUT ARE PRESENTED WITHOUT WARRANTY OF ANY KIND, EXPRESS OR IMPLIED. USERS MUST TAKE FULL RESPONSIBILITY FOR THEIR APPLICATION OF ANY PRODUCTS.

IN NO EVENT SHALL CISCO OR ITS SUPPLIERS BE LIABLE FOR ANY INDIRECT, SPECIAL, CONSEQUENTIAL, OR INCIDENTAL DAMAGES, INCLUDING, WITHOUT LIMITATION, LOST PROFITS OR LOSS OR DAMAGE TO DATA ARISING OUT OF THE USE OR INABILITY TO USE THIS MANUAL, EVEN IF CISCO OR ITS SUPPLIERS HAVE BEEN ADVISED OF THE POSSIBILITY OF SUCH DAMAGES.



**Corporate  
Headquarters**

Cisco Systems, Inc.  
170 West Tasman Drive  
San Jose, CA 95134-1706  
USA  
www.cisco.com  
Tel: 408 526-4000  
800 553-NETS (6387)  
Fax: 408 526-4100

**European  
Headquarters**

Cisco Systems International  
BV  
Haarlerbergpark  
Haarlerbergweg 13-19  
1101 CH Amsterdam  
The Netherlands  
www-europe.cisco.com  
Tel: 31 0 20 357 1000  
Fax: 31 0 20 357 1100

**Americas  
Headquarters**

Cisco Systems, Inc.  
170 West Tasman Drive  
San Jose, CA 95134-1706  
USA  
www.cisco.com  
Tel: 408 526-7660  
Fax: 408 527-0883

**Asia Pacific  
Headquarters**

Cisco Systems, Inc.  
Capital Tower  
168 Robinson Road  
#22-01 to #29-01  
Singapore 068912  
www.cisco.com  
Tel: +65 317 7777  
Fax: +65 317 7799

Cisco Systems has more than 200 offices in the following countries and regions. Addresses, phone numbers, and fax numbers are listed on the Cisco Web site at [www.cisco.com/go/offices](http://www.cisco.com/go/offices).

Argentina • Australia • Austria • Belgium • Brazil • Bulgaria • Canada • Chile • China PRC • Colombia • Costa Rica • Croatia • Czech Republic • Denmark • Dubai, UAE • Finland • France • Germany • Greece • Hong Kong SAR • Hungary • India • Indonesia • Ireland • Israel • Italy • Japan • Korea • Luxembourg • Malaysia • Mexico • The Netherlands • New Zealand • Norway • Peru • Philippines • Poland • Portugal • Puerto Rico • Romania • Russia • Saudi Arabia • Scotland • Singapore • Slovakia • Slovenia • South Africa • Spain • Sweden • Switzerland • Taiwan • Thailand • Turkey • Ukraine • United Kingdom • United States • Venezuela • Vietnam • Zimbabwe

© 2007 Cisco Systems, Inc. All rights reserved.

CCVP, the Cisco Logo, and the Cisco Square Bridge logo are trademarks of Cisco Systems, Inc.; Changing the Way We Work, Live, Play, and Learn is a service mark of Cisco Systems, Inc.; and Access Registrar, Aironet, BPX, Catalyst, CCDA, CCDP, CCIE, CCIP, CCNA, CCNP, CCSP, Cisco, the Cisco Certified Internetwork Expert logo, Cisco IOS, Cisco Press, Cisco Systems, Cisco Systems Capital, the Cisco Systems logo, Cisco Unity, Enterprise/Solver, EtherChannel, EtherFast, EtherSwitch, Fast Step, Follow Me Browsing, FormShare, GigaDrive, GigaStack, HomeLink, Internet Quotient, IOS, iPhone, IP/TV, iQ Expertise, the iQ logo, iQ Net Readiness Scorecard, iQuick Study, LightStream, Linksys, MeetingPlace, MGX, Networking Academy, Network Registrar, Packet, PIX, ProConnect, RateMUX, ScriptShare, SlideCast, SMARTnet, StackWise, The Fastest Way to Increase Your Internet Quotient, and TransPath are registered trademarks of Cisco Systems, Inc. and/or its affiliates in the United States and certain other countries.

All other trademarks mentioned in this document or Website are the property of their respective owners. The use of the word partner does not imply a partnership relationship between Cisco and any other company. (0612R)

Printed in the USA