



MAY 2024



Quad Camera



Precision 60



PTZ 4K



SpeakerTrack 60



PTZ-12

Camera guide

for Cisco Quad Camera, Cisco TelePresence Precision 60, Cisco TelePresence SpeakerTrack 60, PTZ-12, and PTZ 4K Camera



Thank you for choosing Cisco!

Your Cisco product has been designed to give you many years of safe, reliable operation.

This guide describes the Quad Camera, Precision 60, SpeakerTrack 60, PTZ-12, and PTZ 4K Camera.

May we recommend you to visit the Cisco website regularly for updated versions of the user documentation.

The user documentation can be found at:

▶ <https://www.cisco.com/go/telepresence/docs>

▶ <https://www.cisco.com/go/room-docs>

How to use this guide

The top menu bar and the entries in the Table of Contents are all hyperlinks. You can click on them to go to the topic.

Table of Contents

Introduction	3	Main camera	31
User documentation and software	4	Adding multiple cameras	31
Products covered in this guide	4	Connecting multiple cameras to the Codec Pro	32
User documentation	4	Main camera	32
Software	4	Using the HD-BNC connector	32
Physical interface	5	Adding multiple cameras	32
Quad Camera	6	Connecting multiple cameras to the SX80 codec.....	33
Precision 60 Camera	7	Main camera	33
SpeakerTrack 60 Camera	8	Using the analog video or DVI-I inputs	33
PTZ-12 Camera	9	Adding multiple cameras	33
PTZ 4K Camera	10	Connecting multiple cameras to an Ethernet switch.....	34
Connecting to a codec	11	Adding multiple cameras	34
Codec compatibility	12	Network port 1	34
Software compatibility	13	Auxiliary network ports	34
Connect Quad Camera to Codec EQ	14	Connect PTZ 4K to the Board Pro	35
Connect Quad Camera to Codec Pro	15	Connect PTZ 4K to the Room Bar Pro	36
Connect Quad Camera to Codec Plus	16	Factory reset	37
Connect Quad Camera to SX80 Codec	17	Quad Camera	38
Connect Precision 60 to Codec EQ	18	Precision 60 Camera	39
Connect Precision 60 to Codec Pro	19	SpeakerTrack 60 Camera	40
Connect Precision 60 to Codec Plus	20	Factory resetting the device	40
Connect Precision 60 to SX80 Codec	21	Factory resetting the cameras	41
Connect SpeakerTrack 60 to Codec Pro	22	Appendix	42
Connect SpeakerTrack 60 to Codec Plus	23	Technical specifications	43
Connect SpeakerTrack 60 to SX80 Codec	24	Quad Camera	43
Connect PTZ-12 to Codec Plus	25	Precision 60 Camera	44
Connect PTZ-12 to Codec Pro	26	SpeakerTrack 60 Camera	45
Connect PTZ-12 to SX80 Codec	27	PTZ-12 Camera	46
Connect PTZ 4K to Codec EQ	28	PTZ 4K Camera	47
Connect PTZ 4K to Codec Plus	29	Contact us	48
Connect PTZ 4K to Codec Pro	30		
Connecting multiple cameras to the Codec EQ	31		



CHAPTER 1

Introduction



User documentation and software

Products covered in this guide

- Cisco Quad Camera
- Cisco TelePresence Precision 60 Camera
- Cisco TelePresence SpeakerTrack 60 Camera
- Cisco PTZ-12 Camera
- Cisco PTZ 4K Camera

User documentation

This guide provides you with information required to install the cameras on the video system.

The video system can be registered to an on-premise service (CUCM, VCS) or registered to our cloud service (Cisco).

Documentation on the Cisco website

Visit the Cisco website regularly for updated versions of the guides:

▶ <https://www.cisco.com/go/telepresence/docs>

▶ <https://www.cisco.com/go/room-docs>

Explore the Cisco Project Workplace to find inspiration and guidelines when preparing your office or meeting room for video conferencing:

▶ <https://www.cisco.com/go/projectworkplace>

Software

The camera software is automatically upgraded through the codec for the Precision 60, SpeakerTrack 60 and Quad Camera. For the PTZ-12 and PTZ 4K cameras no software upgrade applies.

For more information, see the ▶ [Software compatibility](#) chapter.

Download software for the video system from the Cisco web site: ▶ <https://software.cisco.com/download/home>

We recommend reading the Software release notes (CE9):
▶ [Cisco Collaboration Endpoint Software 9](#)



CHAPTER 2

Physical interface

Quad Camera

Video

- HDMI 1 is the main video source. The maximum resolution is 1080p60.
- For long cable lengths, HDMI extenders supporting EDID should be used. The extender must not alter the SPA address or any EDID information incorrectly. The extender must support ARC (Audio Return Channel) when used with the Codec Plus or Codec Pro.
- If EDID is not supported, use the following setting:

Cameras > Camera n > AssignedSerialNumber

This setting allows you to manually assign a camera ID to a camera by associating the camera ID with the camera's serial number. The setting is persistent until the codec is factory reset.

Power

- Power rating: 12 V_{DC}, 5.83 A.
- Always use the provided cables and power adapter.

Ethernet

For camera control and software upgrades.



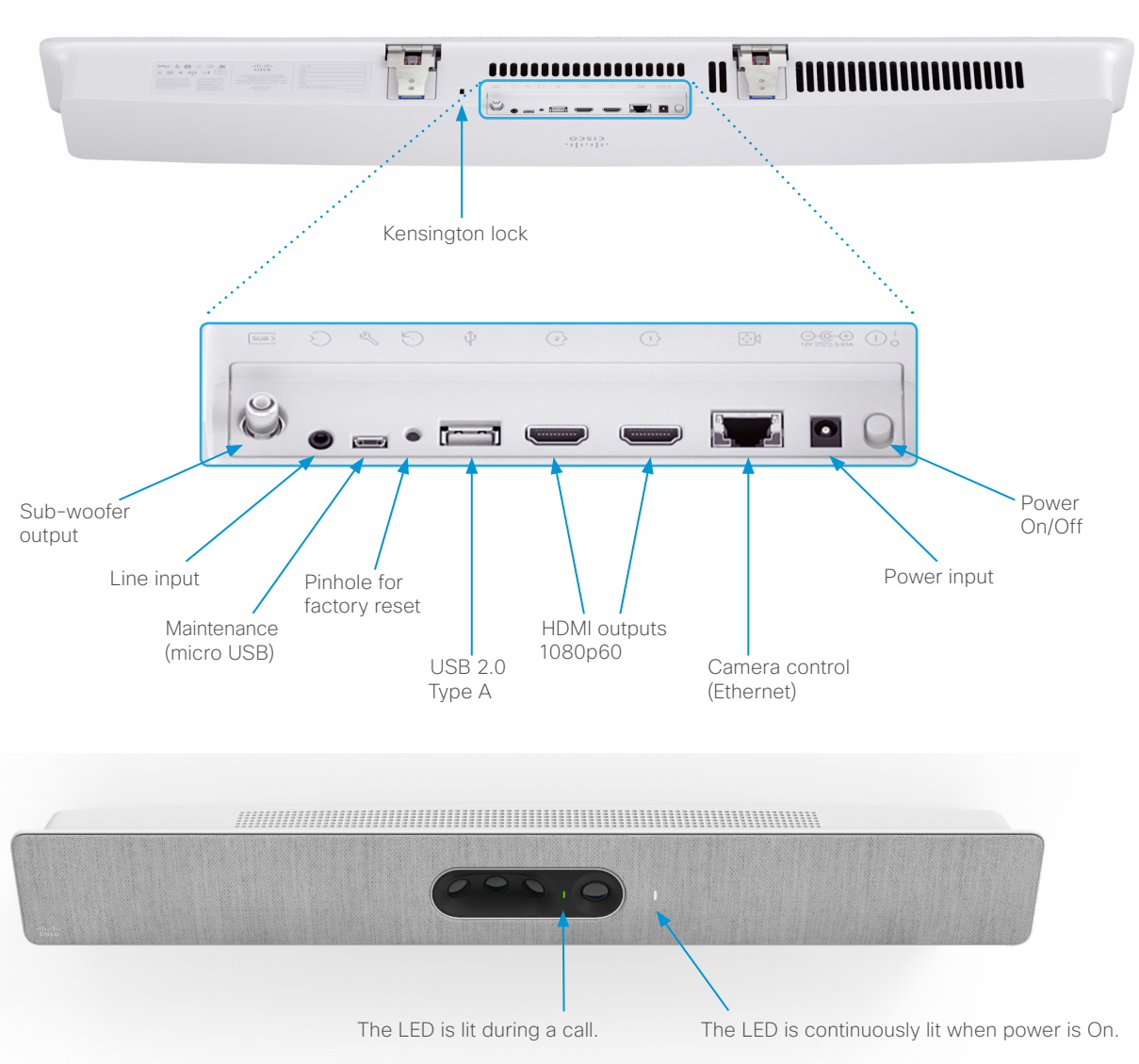
Use Ethernet cable only. Do not connect a serial VISCA cable to the Ethernet port on the Precision 60 camera, as this will cause severe damage to the camera.

Kensington lock

The Kensington lock may be used to prevent the camera from being moved from its place or to prevent theft.

For more information about the Quad Camera setup, refer to the following installation guides:

- ▶ [Cisco Room Kit EQ installation guide](#)
- ▶ [Cisco Room Kit Pro installation guide](#)
- ▶ [Cisco Room Kit Plus installation guide](#)
- ▶ [Cisco TelePresence SX80 Integrator Package with Quad Camera installation guide](#)



Precision 60 Camera

Video

- HDMI is the main video source. The maximum resolution is 1080p60.
- 3G-SDI is the secondary video source. The maximum resolution is 1080p60.
- For long cable lengths, HDMI extenders supporting EDID should be used. The extender must not alter the SPA address or any EDID information incorrectly.
- If EDID is not supported, use the following setting:

[Cameras > Camera n > AssignedSerialNumber](#)


This setting allows you to manually assign a camera ID to a camera by associating the camera ID with the camera's serial number. The setting is persistent until the codec is factory reset.

Power

- Power rating: 12 V_{DC}, 3 A.
- Always use the provided cables and power adapter.

Ethernet

For camera control and software upgrades.

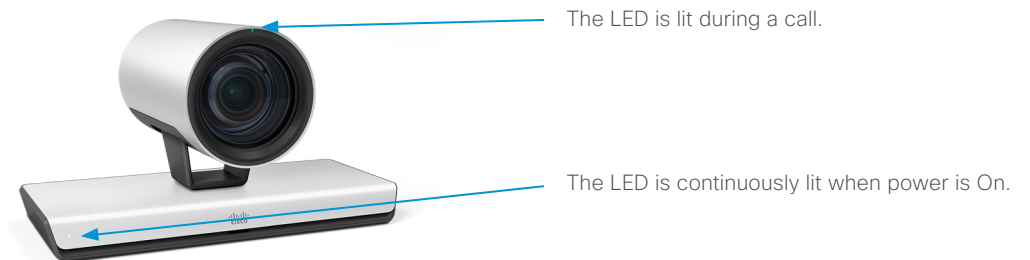
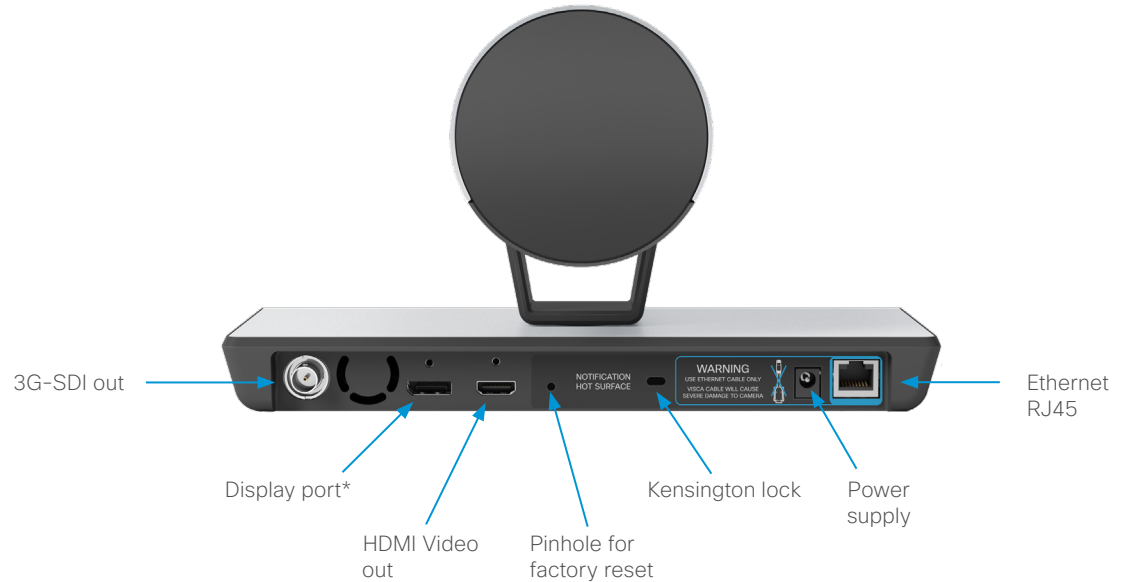
 Use Ethernet cable only. Do not connect a serial VISCA cable to the Ethernet port on the Precision 60 camera, as this will cause severe damage to the camera.

Kensington lock

The Kensington lock may be used to prevent the camera from being moved from its place or to prevent theft.

For more information about the Precision 60 setup, refer to the following installation guides:

- ▶ [Cisco Room Kit Plus Precision 60 Installation Guide](#)
- ▶ [Cisco Room Kit Pro Precision 60 Installation Guide](#)
- ▶ [Cisco TelePresence SX80 Installation Guide](#)



* For future use

SpeakerTrack 60 Camera

Video


- Two HDMI cables from the cameras.

Power

- Power rating: 12 V_{DC}, 6.5 A.
- Always use the provided cables and power adapter.
- Power out to cameras (internal connection).

Ethernet

Two Ethernet ports are used for the internal camera control connection. The third connector is used for connecting the codec.

 Use Ethernet cable only. Do not connect a serial VISCA cable to the Ethernet port on the SpeakerTrack 60 camera, as this will cause severe damage to the camera.

Microphone connectors

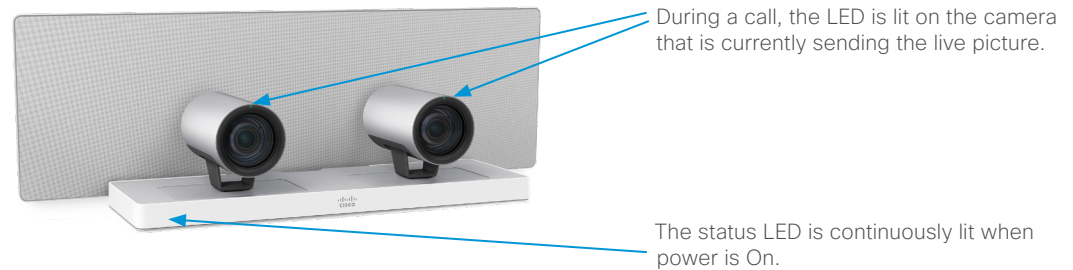
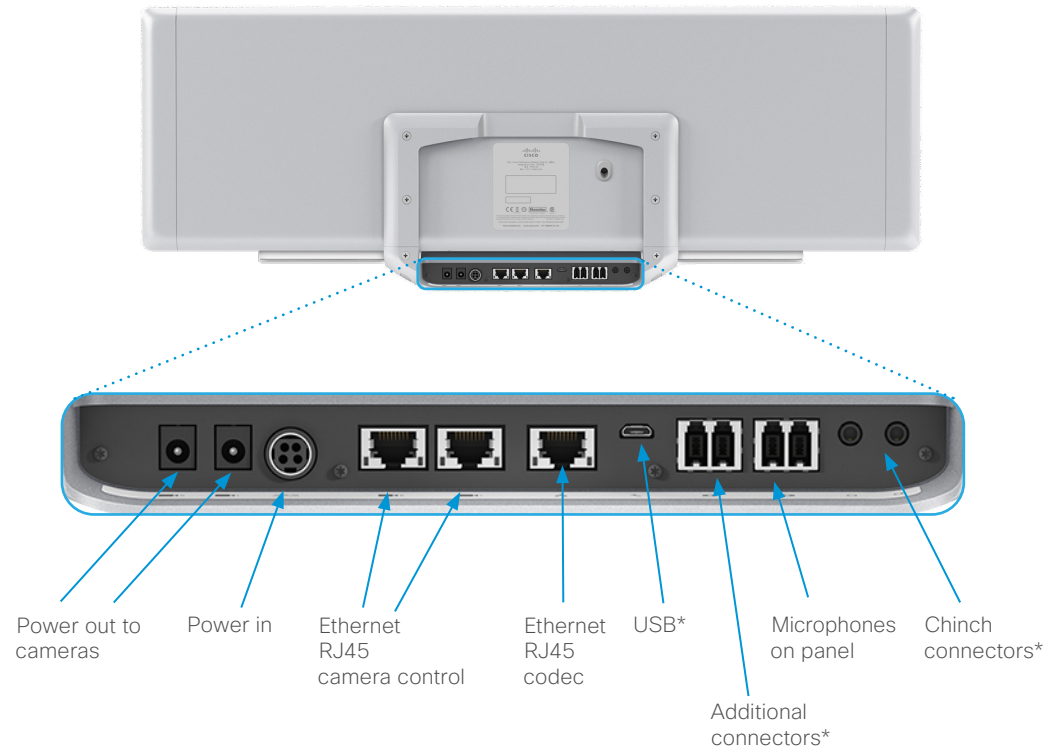
The right set is used for internal connection to the microphone panel. The left set of connectors is intended for future use.

Kensington lock

The Kensington lock may be used to prevent the camera from being moved from its place or to prevent theft.

For more information about the SpeakerTrack 60 setup, refer to the following installation guides:

- ▶ [Cisco TelePresence SpeakerTrack 60 installation guide](#)
- ▶ [Cisco Codec Pro installation guide](#)
- ▶ [Cisco TelePresence SX80 Installation Guide](#)



* For future use

PTZ-12 Camera

Video

- HDMI is the main video source. The maximum resolution is 1080p60.

Power

- Power rating: 12 V_{DC}, 1.4 A.
- Always use the provided cables and power adapter (12V_{DC}, JEITA type4). Do **NOT** use any other AC power adaptor.

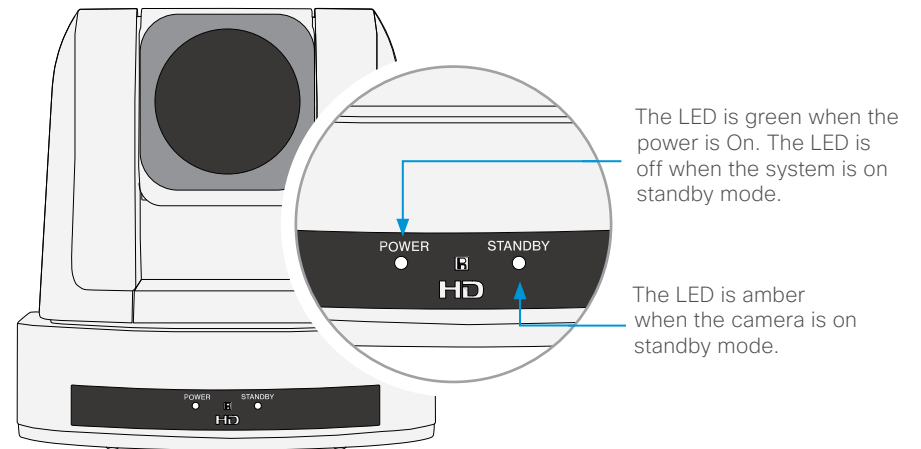
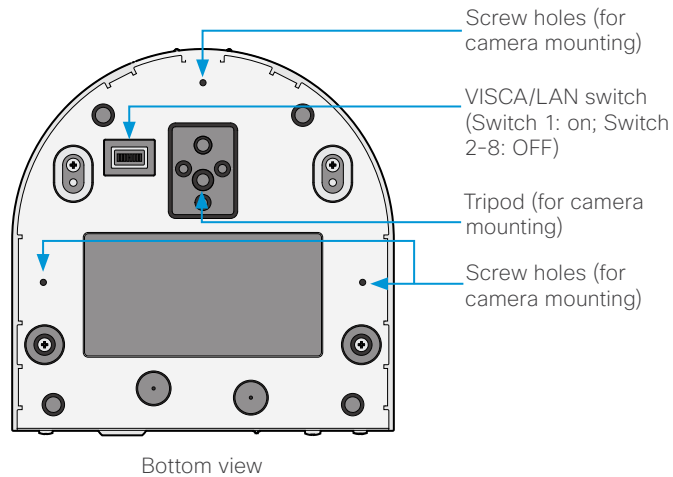
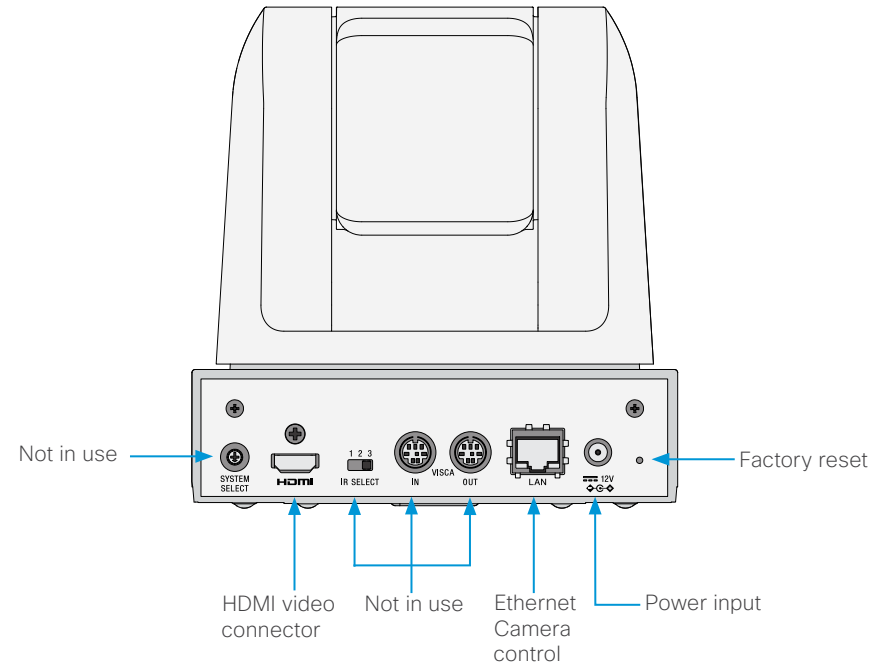
Ethernet

For camera control.

Factory reset

A factory reset should only be performed by a system administrator or in contact with Cisco technical support.

For more information about the PTZ-12 setup, refer to the [Cisco Room Kit Plus PTZ-12 installation guide](#)



PTZ 4K Camera

Video

- HDMI is the main video source. The maximum resolution is 1920 x 1080 at 60 fps and 3840 x 2160 at 30 fps.

Power

- Power rating: 12 V_{DC}, 3 A.
- Always use the provided cables and power adapter. Do **NOT** use any other AC power adaptor.

Ethernet

For camera control.

Factory reset

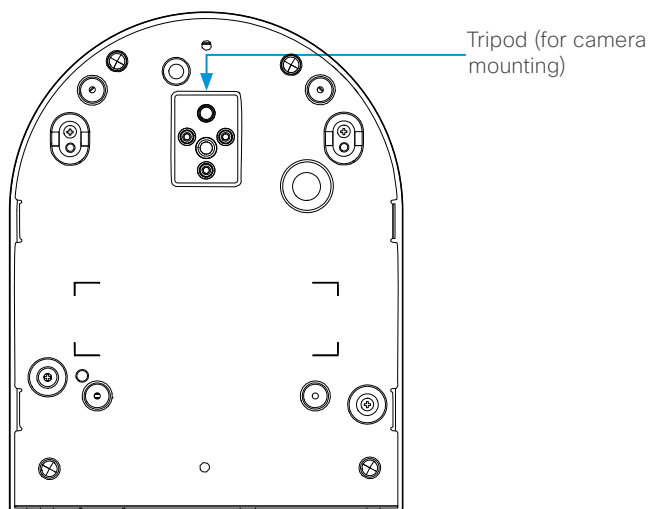
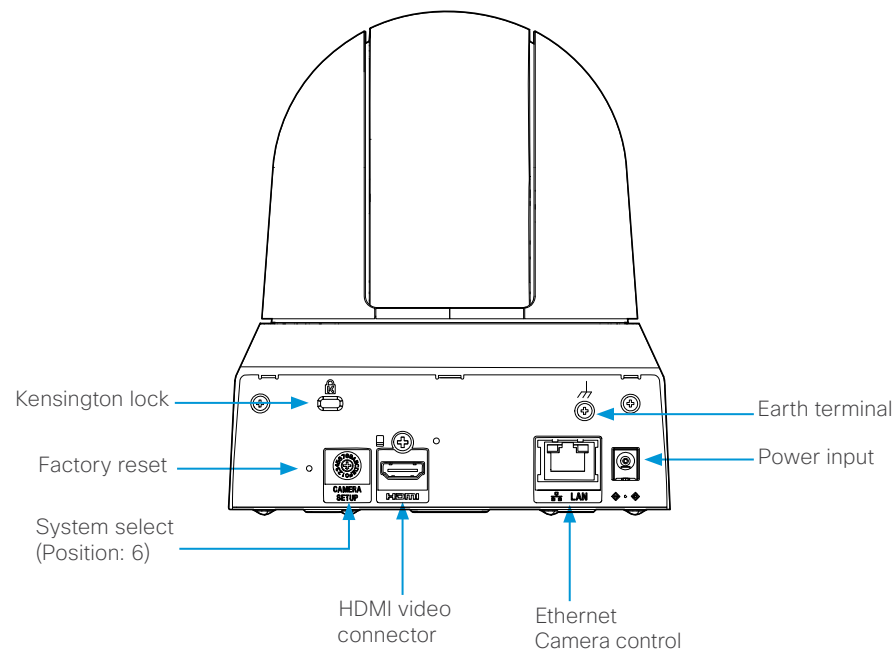
A factory reset should only be performed by a system administrator or in contact with Cisco technical support.

For more information about the PTZ 4K setup, refer to:

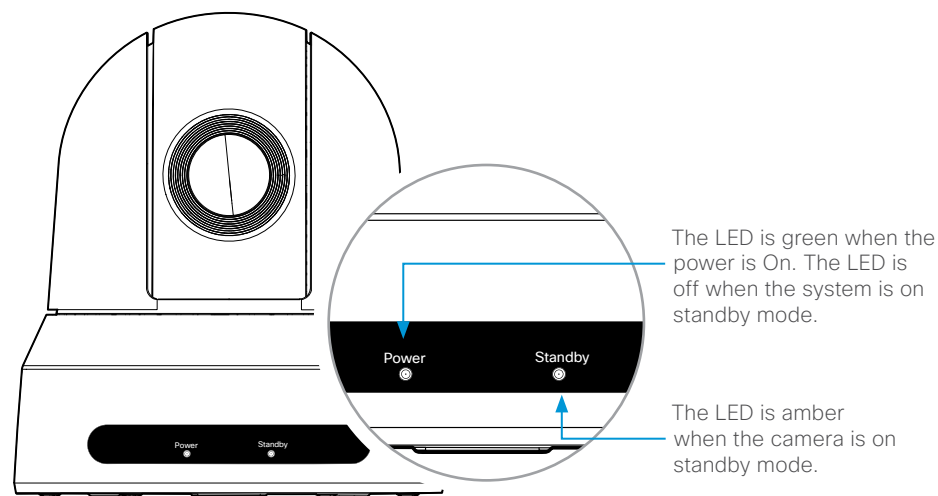
- ▶ [Cisco Room Kit Plus PTZ 4K installation guide](#)
- ▶ [Cisco Room Kit Pro PTZ 4K installation guide](#)
- ▶ [Cisco Room Kit EQ PTZ 4K installation guide](#)

Camera setup switch

The camera setup switch is used to choose the video signal format that will be sent out through the HDMI out terminal. VISCA is enabled on the HDMI output. When using the camera with a Cisco codec, the switch should always be set to **6**, so the camera can be controlled through the Codec's API.



Bottom view





CHAPTER 3

Connecting to a codec

Codec compatibility

Quad Camera

The Quad Camera is compatible with the following codecs:

- Cisco Codec EQ
- Cisco Codec Pro
- Cisco Codec Plus
- Cisco TelePresence SX80 codec

Precision 60

The Precision 60 camera is compatible with the following codecs:

- Cisco Codec EQ
- Cisco Codec Pro
- Cisco Codec Plus
- Cisco TelePresence SX80 codec

SpeakerTrack 60

The SpeakerTrack 60 system is compatible with the following codecs:

- Cisco Codec Pro
- Cisco Codec Plus
- Cisco TelePresence SX80 codec

PTZ-12

The PTZ-12 Camera is compatible with the following codecs:

- Cisco Codec Plus
- Cisco Codec Pro
- Cisco TelePresence SX80 codec

PTZ 4K

The PTZ 4K Camera is compatible with the following codecs:

- Cisco Codec EQ
- Cisco Codec Pro
- Cisco Codec Plus
- Cisco Board Pro
- Cisco Room Bar Pro



Cisco Codec EQ



Cisco Codec Pro



Cisco Codec Plus



Cisco TelePresence Codec SX80

Software compatibility

Software for devices registered to an on-premises service

The camera software for the Quad Camera, Precision 60 and SpeakerTrack 60 cameras is automatically upgraded through the codec.

For the PTZ-12 no software upgrade applies. For the PTZ 4K, software upgrades are supported from CE 9.15.3.

Minimum RoomOS and CE software version requirement for the codecs can be found in the table below:

	Codec SX80	Codec Plus	Codec Pro	Codec EQ
Quad Camera	CE 9.2	CE 9.1	CE 9.4	RoomOS 11.1
Precision 60	TC 7.1, CE 8.1	CE 9.1	CE 9.4	RoomOS 11.1
SpeakerTrack 60	TC 7.1, CE 8.1	CE 9.10	CE 9.4	N/A
PTZ-12 ¹	CE 9.6	CE 9.6	CE 9.6	N/A
PTZ 4K	N/A	RoomOS 10.3, CE.9.14.5	RoomOS 10.3, CE.9.14.5	RoomOS 11.1

Software for devices registered to the Webex cloud service

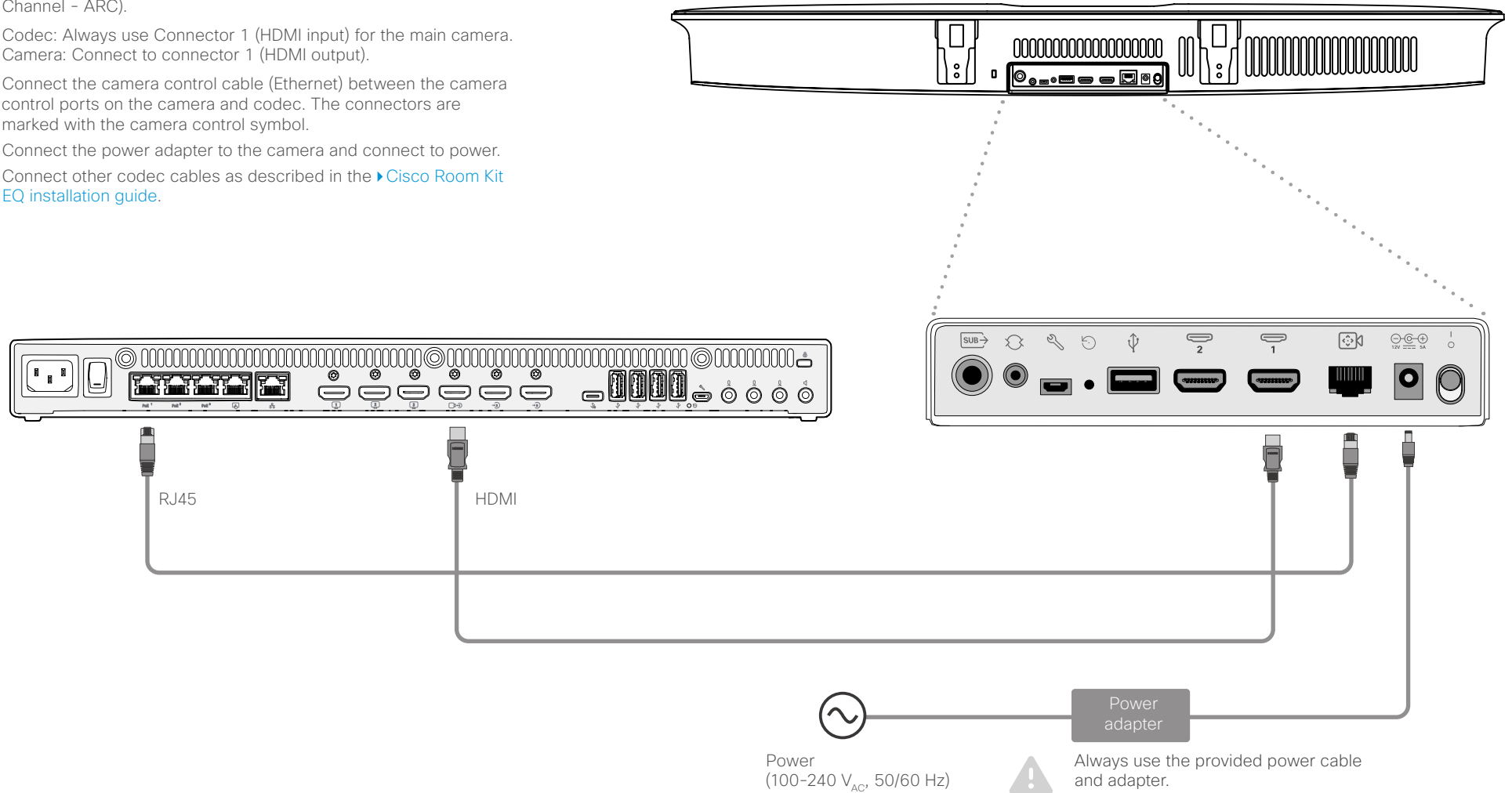
The camera software for the Quad Camera, Precision 60, PTZ 4K and SpeakerTrack 60 cameras is automatically upgraded through the codec when a new version is available from the cloud service.

For the PTZ-12, no software upgrade applies.

¹ Only one PTZ-12 camera is supported on CE9.6. Multiple PTZ-12 cameras are supported from CE9.7.

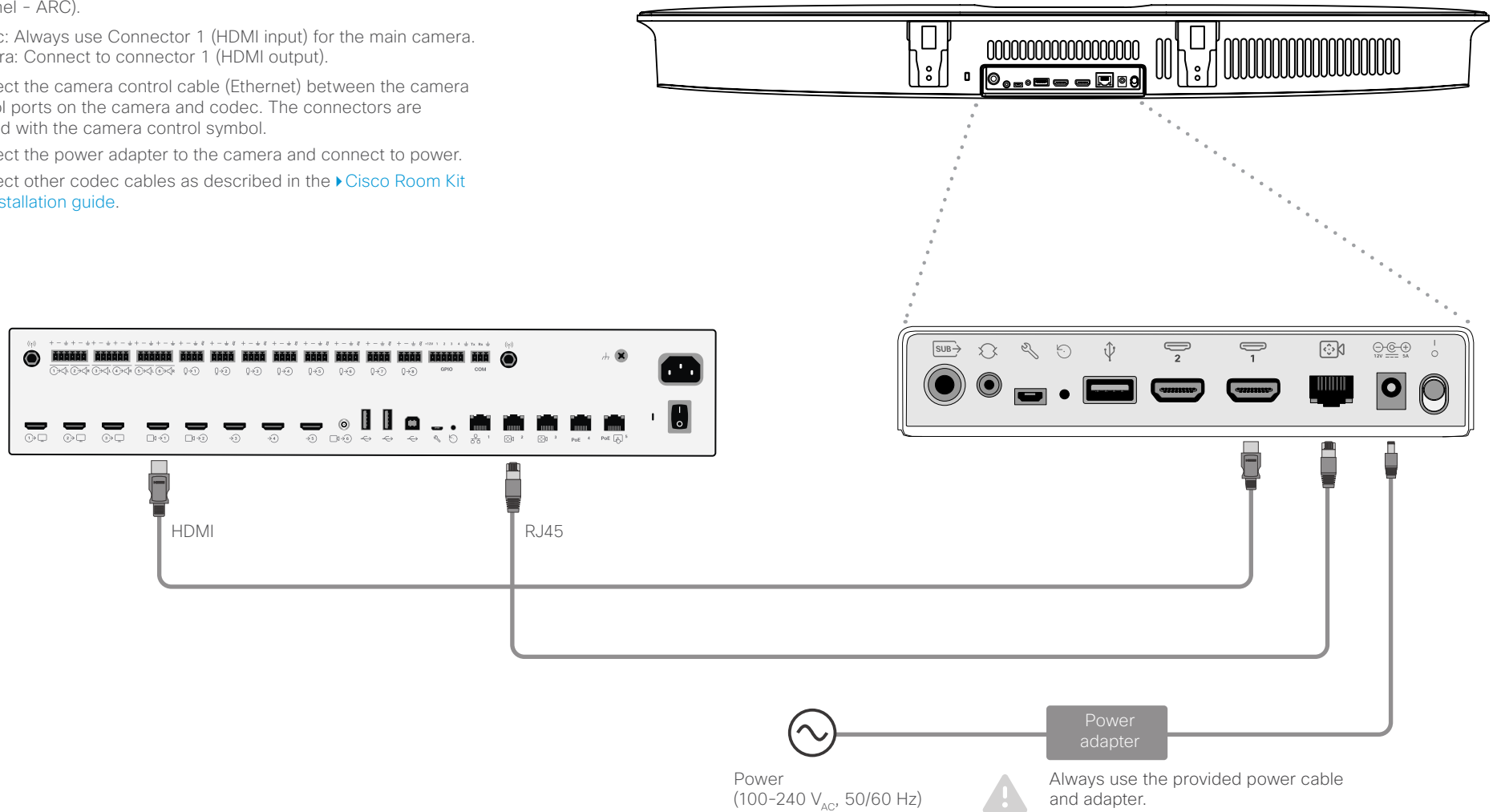
Connect Quad Camera to Codec EQ

- Connect the HDMI cable between the camera and the codec. The cable transmits video from the camera to the codec, and audio from the codec to the loudspeakers in the camera (Audio Return Channel - ARC).
- Codec: Always use Connector 1 (HDMI input) for the main camera. Camera: Connect to connector 1 (HDMI output).
- Connect the camera control cable (Ethernet) between the camera control ports on the camera and codec. The connectors are marked with the camera control symbol.
- Connect the power adapter to the camera and connect to power.
- Connect other codec cables as described in the [Cisco Room Kit EQ installation guide](#).



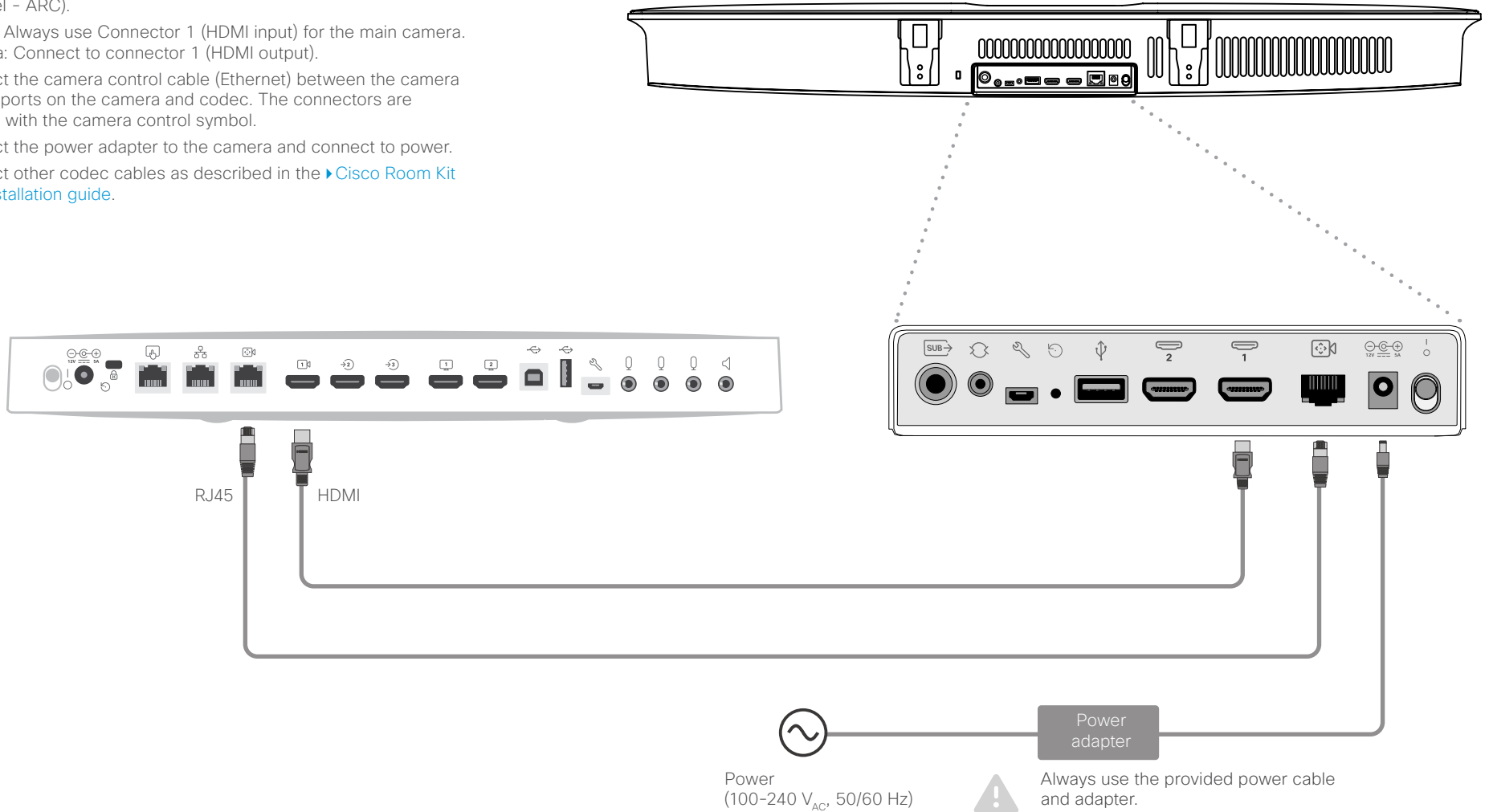
Connect Quad Camera to Codec Pro

- Connect the HDMI cable between the camera and the codec. The cable transmits video from the camera to the codec, and audio from the codec to the loudspeakers in the camera (Audio Return Channel - ARC).
- Codec: Always use Connector 1 (HDMI input) for the main camera.
Camera: Connect to connector 1 (HDMI output).
- Connect the camera control cable (Ethernet) between the camera control ports on the camera and codec. The connectors are marked with the camera control symbol.
- Connect the power adapter to the camera and connect to power.
- Connect other codec cables as described in the [Cisco Room Kit Pro installation guide](#).



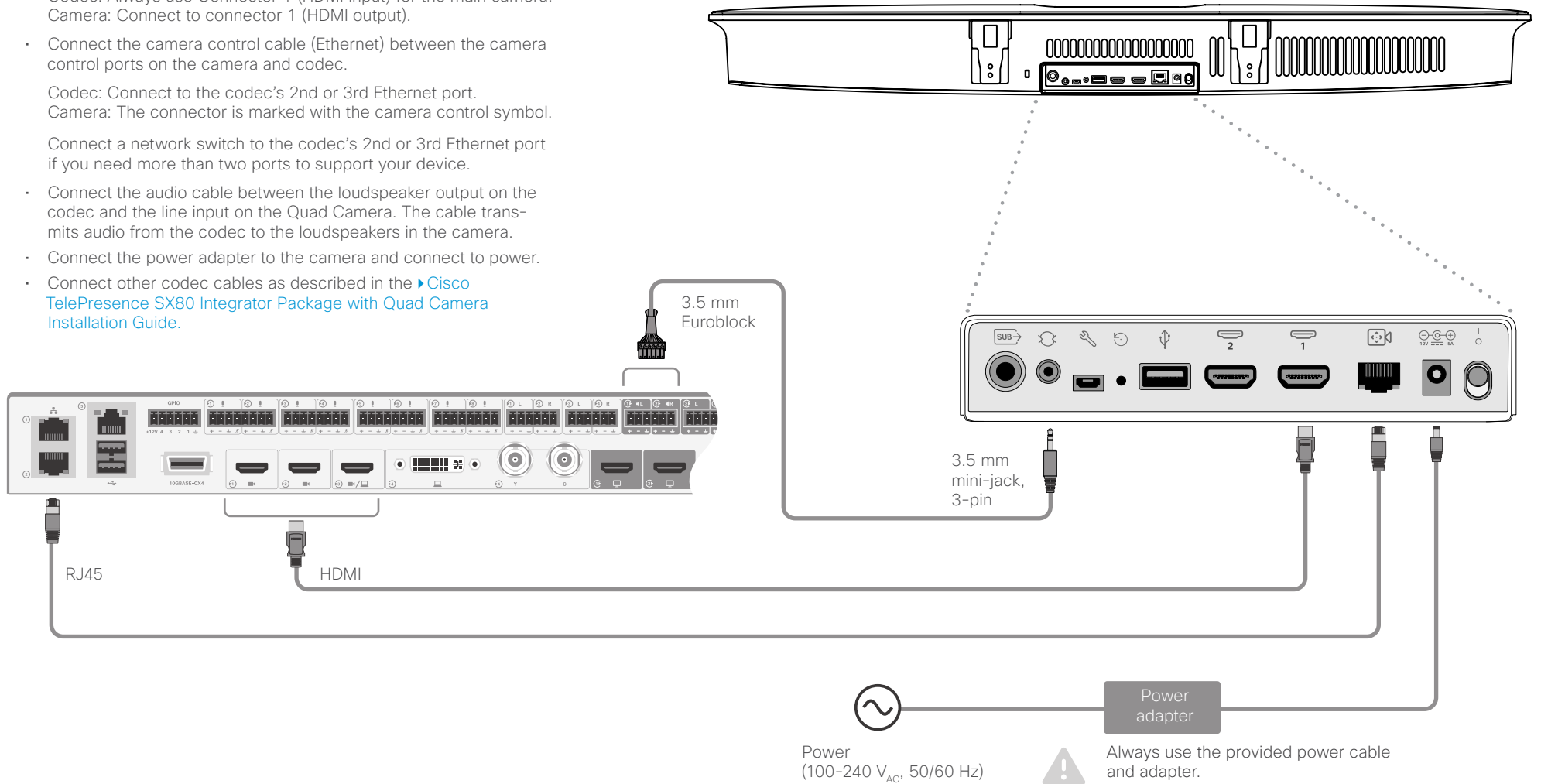
Connect Quad Camera to Codec Plus

- Connect the HDMI cable between the camera and the codec. The cable transmits video from the camera to the codec, and audio from the codec to the loudspeakers in the camera (Audio Return Channel - ARC).
Codec: Always use Connector 1 (HDMI input) for the main camera.
Camera: Connect to connector 1 (HDMI output).
- Connect the camera control cable (Ethernet) between the camera control ports on the camera and codec. The connectors are marked with the camera control symbol.
- Connect the power adapter to the camera and connect to power.
- Connect other codec cables as described in the [Cisco Room Kit Plus installation guide](#).



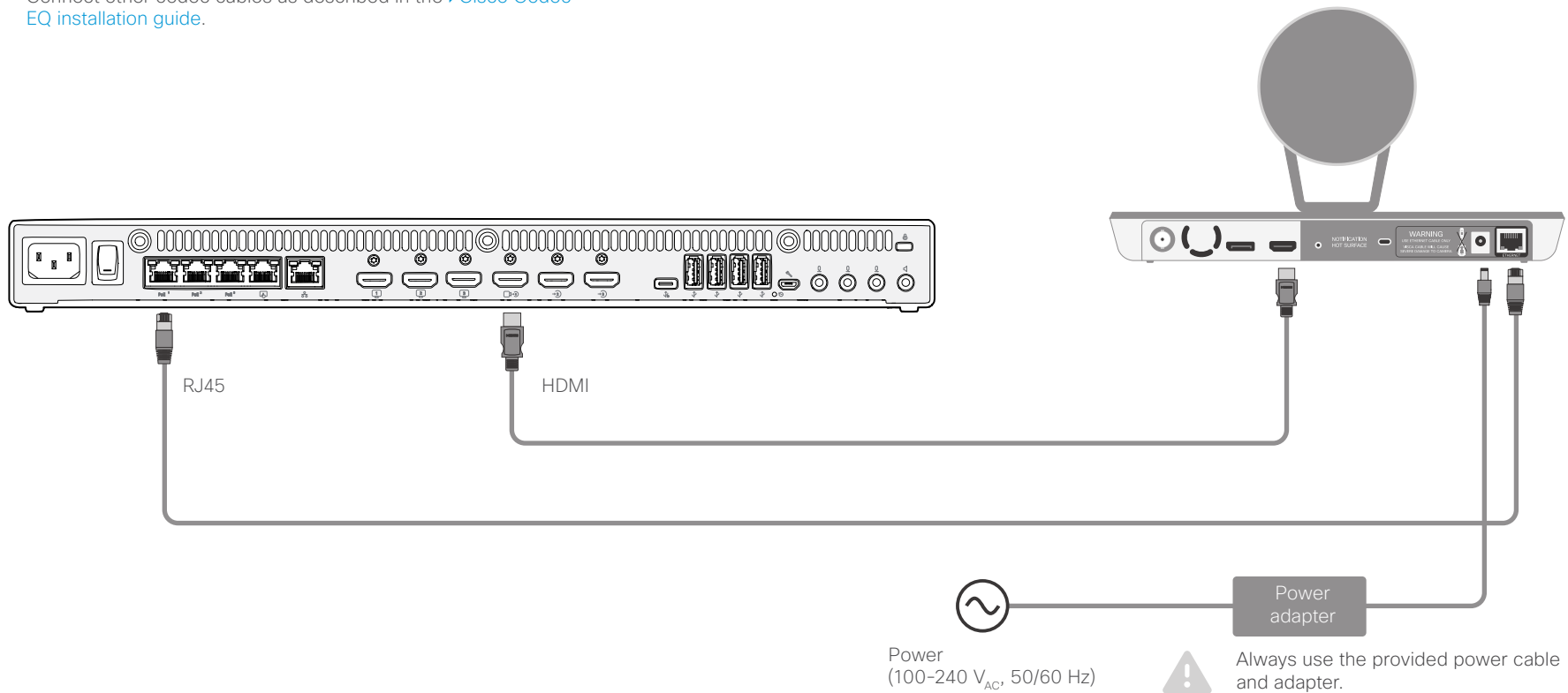
Connect Quad Camera to SX80 Codec

- Connect the HDMI cable between the camera and the codec. The cable transmits video from the camera to the codec.
 Codec: Always use Connector 1 (HDMI input) for the main camera.
 Camera: Connect to connector 1 (HDMI output).
- Connect the camera control cable (Ethernet) between the camera control ports on the camera and codec.
 Codec: Connect to the codec's 2nd or 3rd Ethernet port.
 Camera: The connector is marked with the camera control symbol.
- Connect a network switch to the codec's 2nd or 3rd Ethernet port if you need more than two ports to support your device.
- Connect the audio cable between the loudspeaker output on the codec and the line input on the Quad Camera. The cable transmits audio from the codec to the loudspeakers in the camera.
- Connect the power adapter to the camera and connect to power.
- Connect other codec cables as described in the [Cisco TelePresence SX80 Integrator Package with Quad Camera Installation Guide](#).



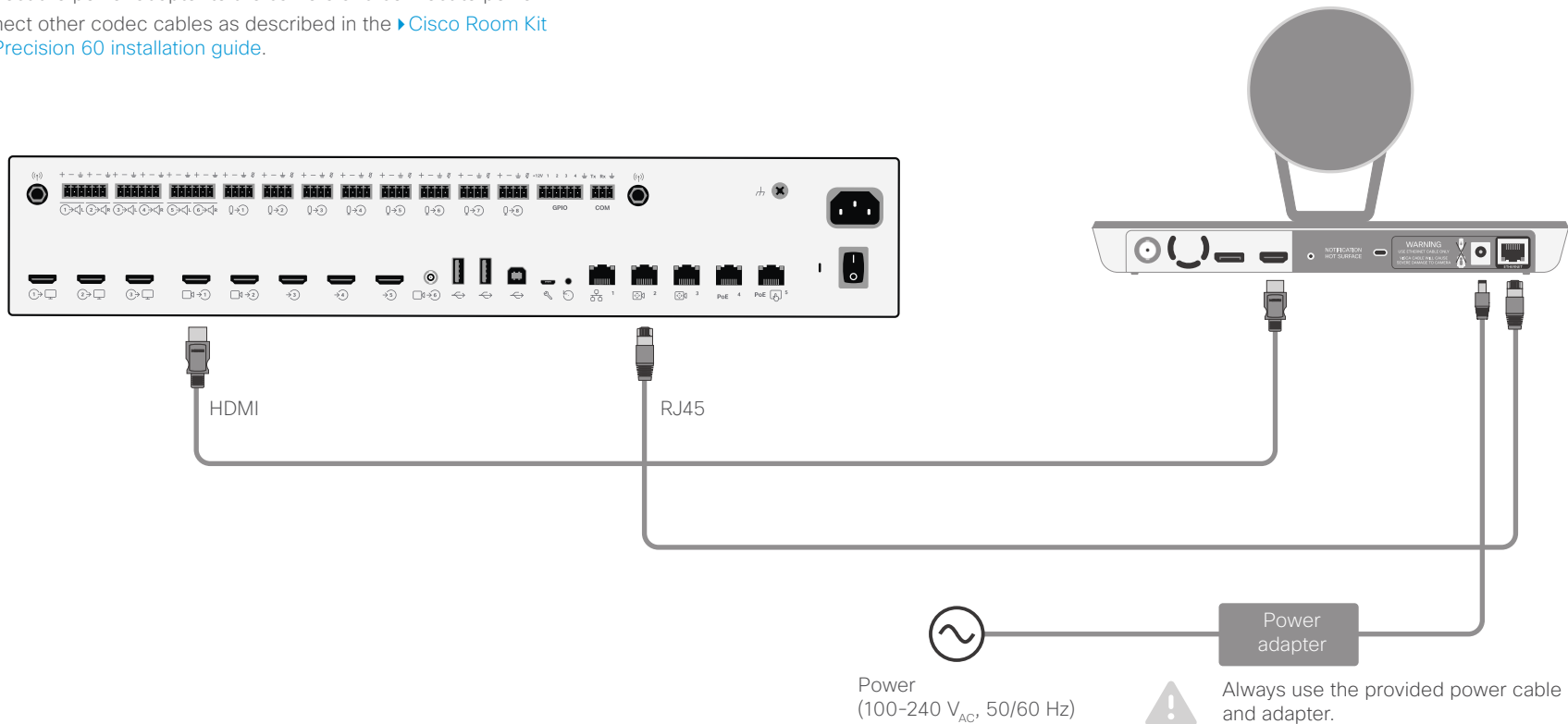
Connect Precision 60 to Codec EQ

- Connect the video cable (HDMI) between the camera and codec.
Codec: Always use Connector 1 (HDMI input) for the main camera.
Camera: Connect to the HDMI output.
- Connect the camera control cable (Ethernet) between the camera control ports on the camera and codec.
Codec: The connector is marked with the camera control symbol.
Camera: Connect to the Ethernet port.
- Connect the power adapter to the camera and connect to power.
- Connect other codec cables as described in the [Cisco Codec EQ installation guide](#).



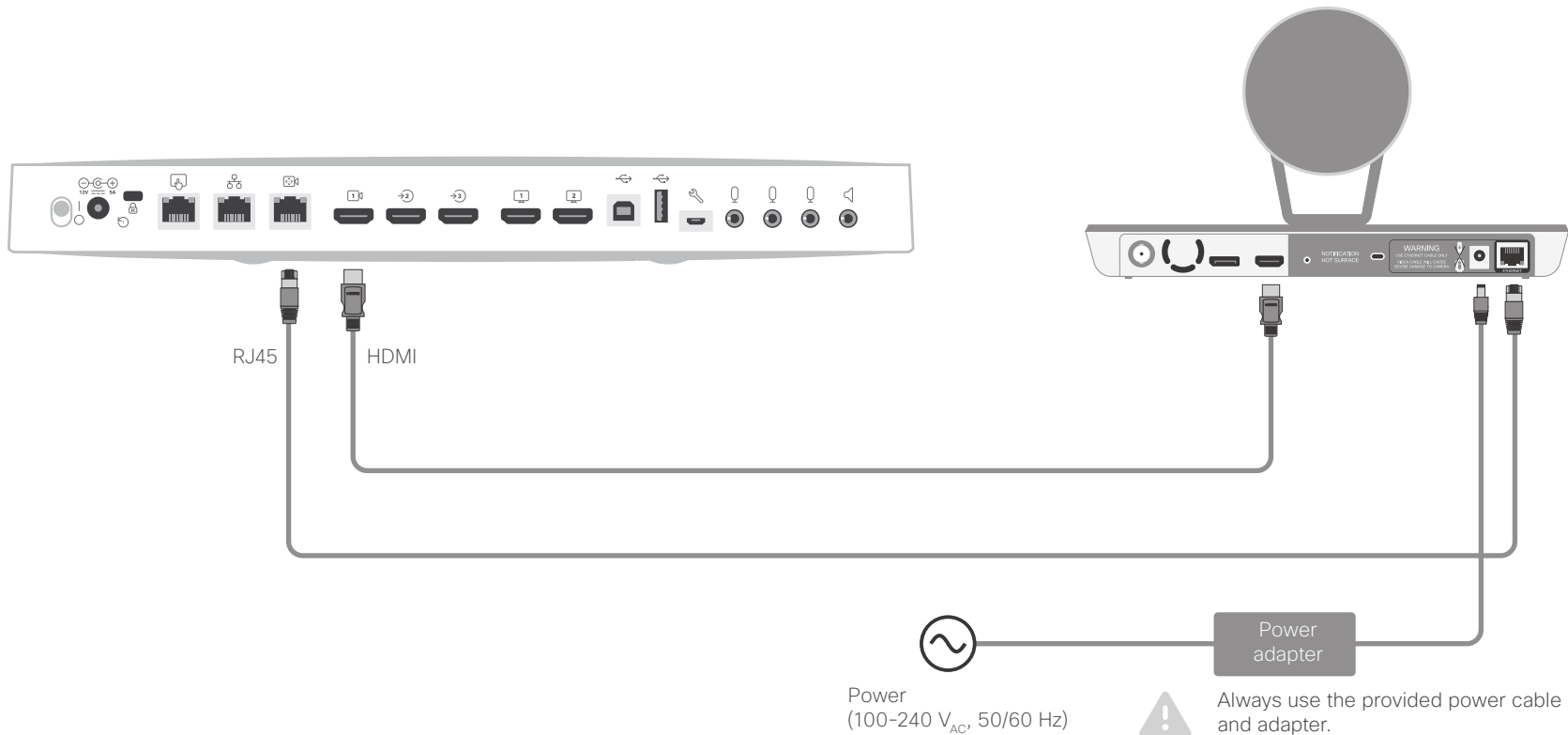
Connect Precision 60 to Codec Pro

- Connect the video cable (HDMI) between the camera and codec.
Codec: Always use Connector 1 (HDMI input) for the main camera.
Camera: Connect to the HDMI output.
- If you use a coaxial cable for video, you will need a BNC to HD-BNC cable or a BNC to HD-BNC adapter to connect the Precision 60 (BNC) to the Codec Pro (HD-BNC).
- Connect the camera control cable (Ethernet) between the camera control ports on the camera and codec.
Codec: The connector is marked with the camera control symbol.
Camera: Connect to the Ethernet port.
- Connect the power adapter to the camera and connect to power.
- Connect other codec cables as described in the [Cisco Room Kit Pro Precision 60 installation guide](#).



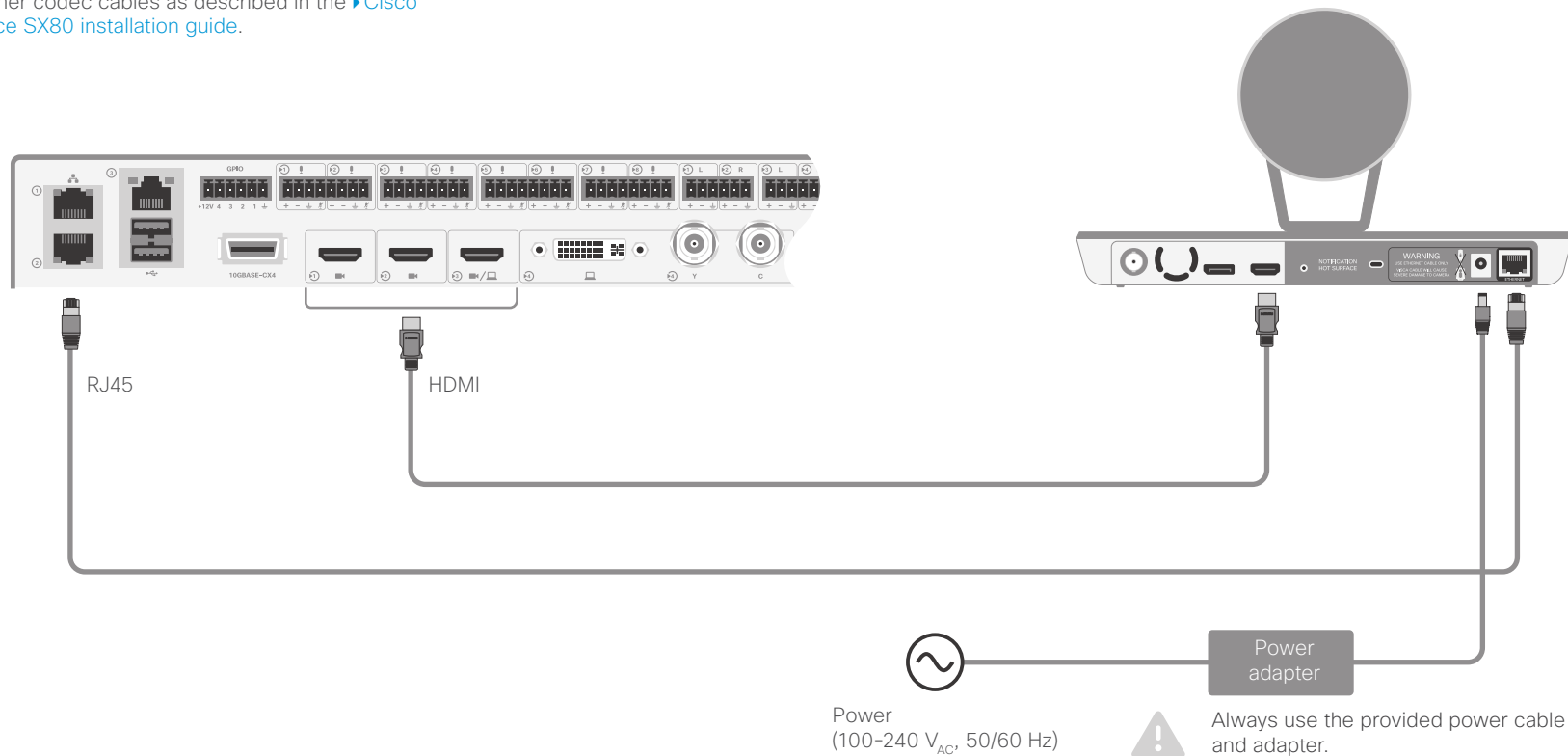
Connect Precision 60 to Codec Plus

- Connect the video cable (HDMI) between the camera and codec.
Codec: Always use Connector 1 (HDMI input) for the main camera.
Camera: Connect to the HDMI output.
- Connect the camera control cable (Ethernet) between the camera and codec.
Codec: The connector is marked with the camera control symbol.
Camera: Connect to the Ethernet port.
- Connect the power adapter to the camera and connect to power.
- Connect other codec cables as described in the [Cisco Room Kit Plus Precision 60 installation guide](#).



Connect Precision 60 to SX80 Codec

- Connect the video cable (HDMI) between the camera and codec.
Codec: Always use Connector 1 (HDMI input) for the main camera.
Camera: Connect to the HDMI output.
- Connect the camera control cable (Ethernet) between the camera control ports on the camera and codec.
Codec: The connector is marked with the camera control symbol.
Camera: Connect to the Ethernet port.
- Connect a network switch to the codec's 2nd or 3rd Ethernet port if you need more than two ports to support your device.
- Connect the power adapter to the camera and connect to power.
- Connect other codec cables as described in the [Cisco Telepresence SX80 installation guide](#).



Connect SpeakerTrack 60 to Codec Pro

- Connect the video cables (HDMI).

Left camera: Connect between Connector 1 (HDMI input) on the codec to the HDMI input of the left camera.

Right camera: Connect between Connector 2 (HDMI input) on the codec to the HDMI input of the right camera.

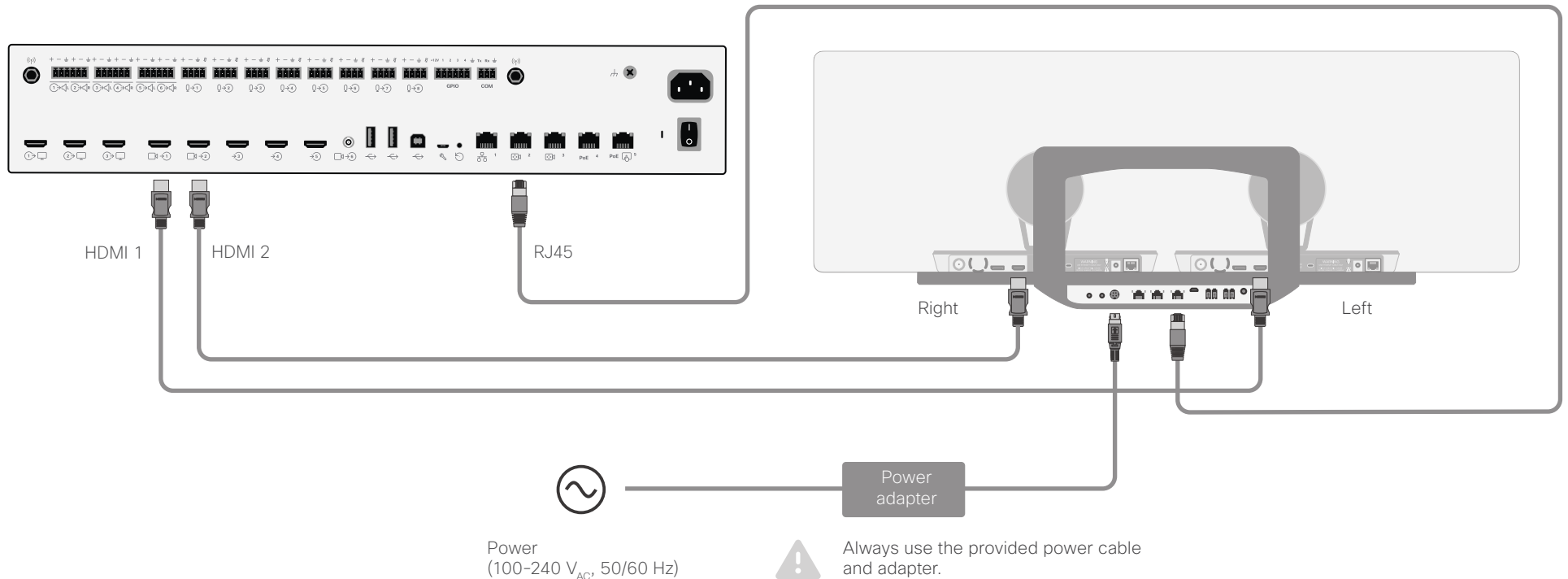
- Connect the camera control cable (Ethernet) between the camera control ports on the camera and codec.

Codec: The connector is marked with the camera control symbol.

Camera: Connect to the Ethernet port.

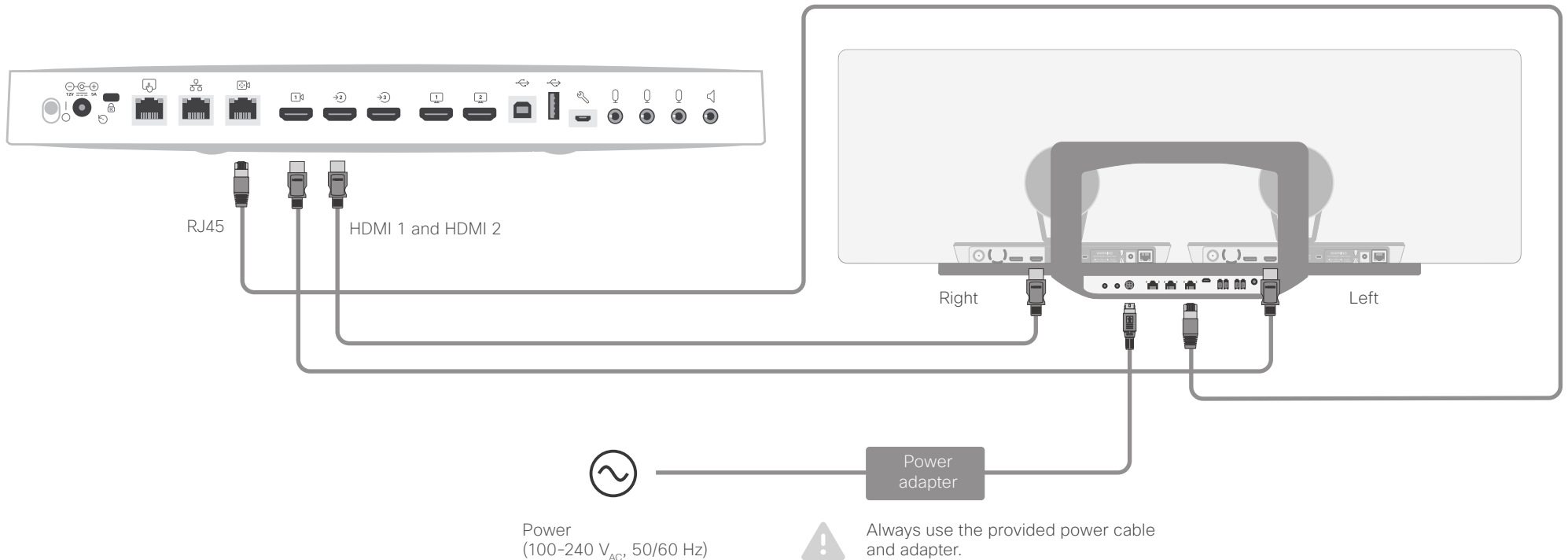
- Connect the power adapter to the SpeakerTrack 60 connector panel and connect to power.

- Connect other codec cables as described in the [Cisco Codec Pro installation guide](#).



Connect SpeakerTrack 60 to Codec Plus

- Connect the video cables (HDMI).
Left camera: Connect between Connector 1 (HDMI input) on the codec to the HDMI input of the left camera.
Right camera: Connect between Connector 2 (HDMI input) on the codec to the HDMI input of the right camera.
- Connect the camera control cable (Ethernet) between the camera control ports on the camera and codec.
Codec: The connector is marked with the camera control symbol.
Camera: Connect to the Ethernet port.
- Connect the power adapter to the SpeakerTrack 60 connector panel and connect to power.
- Connect other codec cables as described in the [Cisco TelePresence SpeakerTrack 60 installation guide](#).



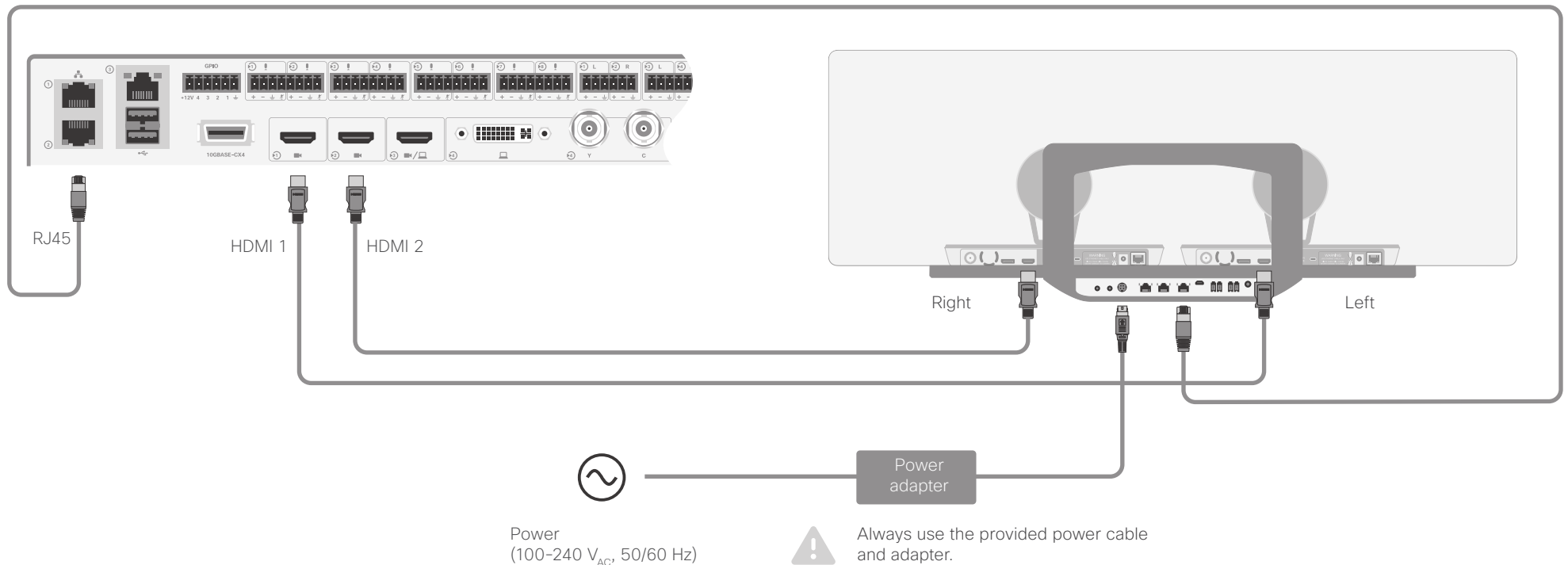
Connect SpeakerTrack 60 to SX80 Codec

- Connect the video cables (HDMI).

Left camera: Connect between Connector 1 (HDMI input) on the codec to the HDMI input of the left camera.

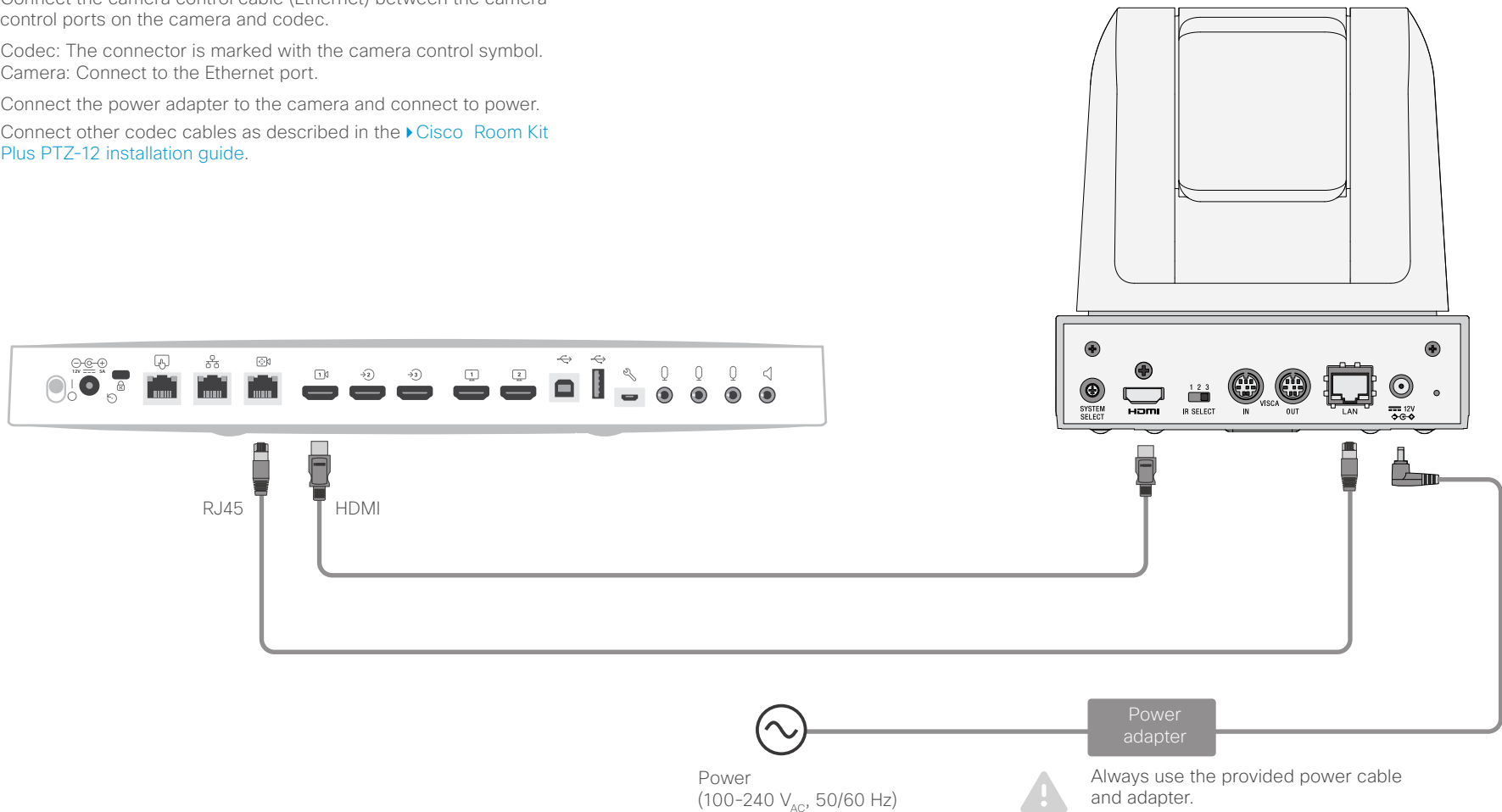
Right camera: Connect between Connector 2 (HDMI input) on the codec to the HDMI input of the right camera.

- Connect the camera control cable (Ethernet). Connect between the codec's 2nd or 3rd Ethernet port to the Network port (Ethernet) on the SpeakerTrack 60 connector panel.
- Connect the power adapter to the SpeakerTrack 60 connector panel and connect to power.
- Connect other codec cables as described in the [Cisco Telepresence SX80 installation guide](#).



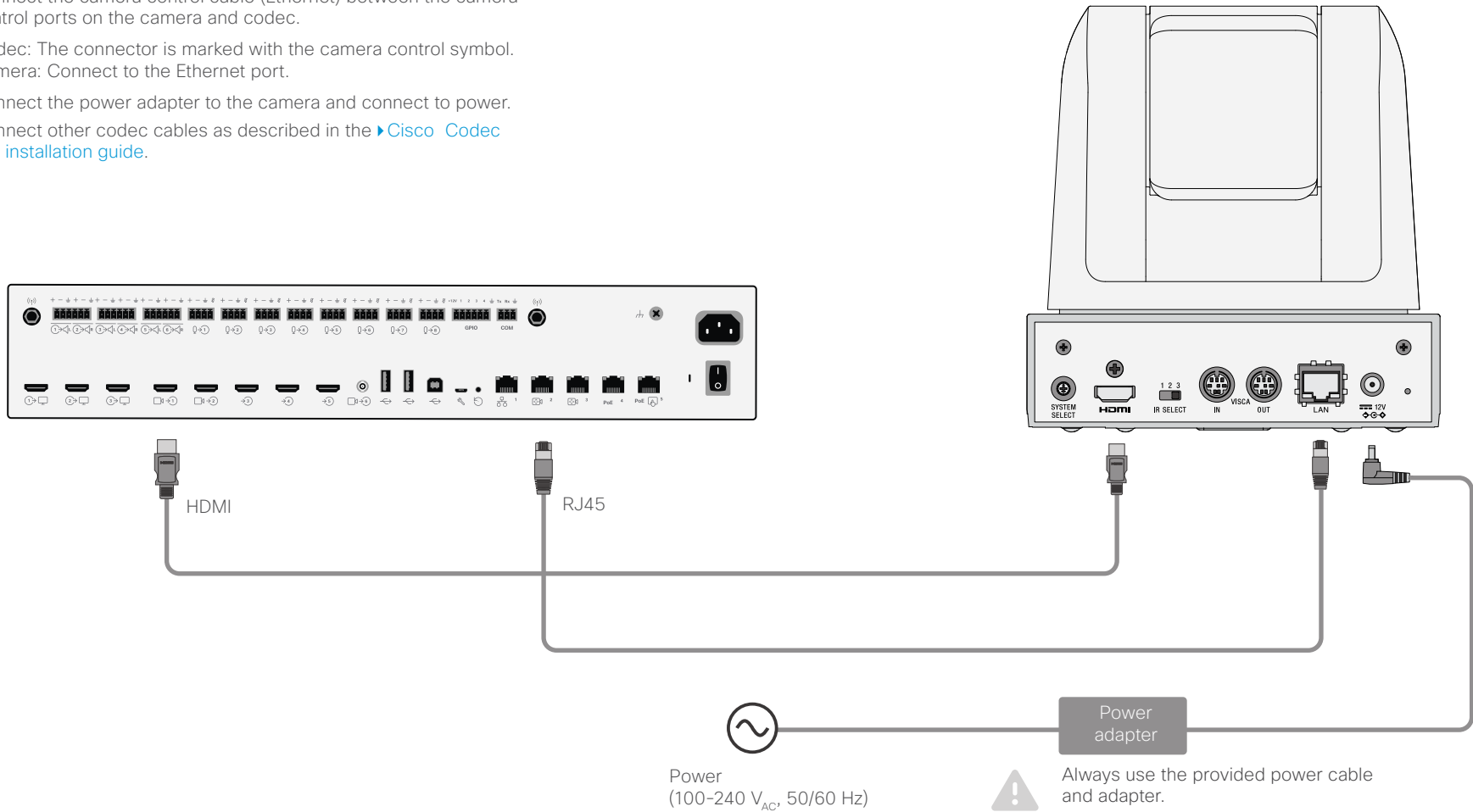
Connect PTZ-12 to Codec Plus

- Connect the video cable (HDMI) between the camera and codec.
Codec: Always use Connector 1 (HDMI input) for the main camera.
Camera: Connect to the HDMI output.
- Connect the camera control cable (Ethernet) between the camera and codec.
Codec: The connector is marked with the camera control symbol.
Camera: Connect to the Ethernet port.
- Connect the power adapter to the camera and connect to power.
- Connect other codec cables as described in the [Cisco Room Kit Plus PTZ-12 installation guide](#).



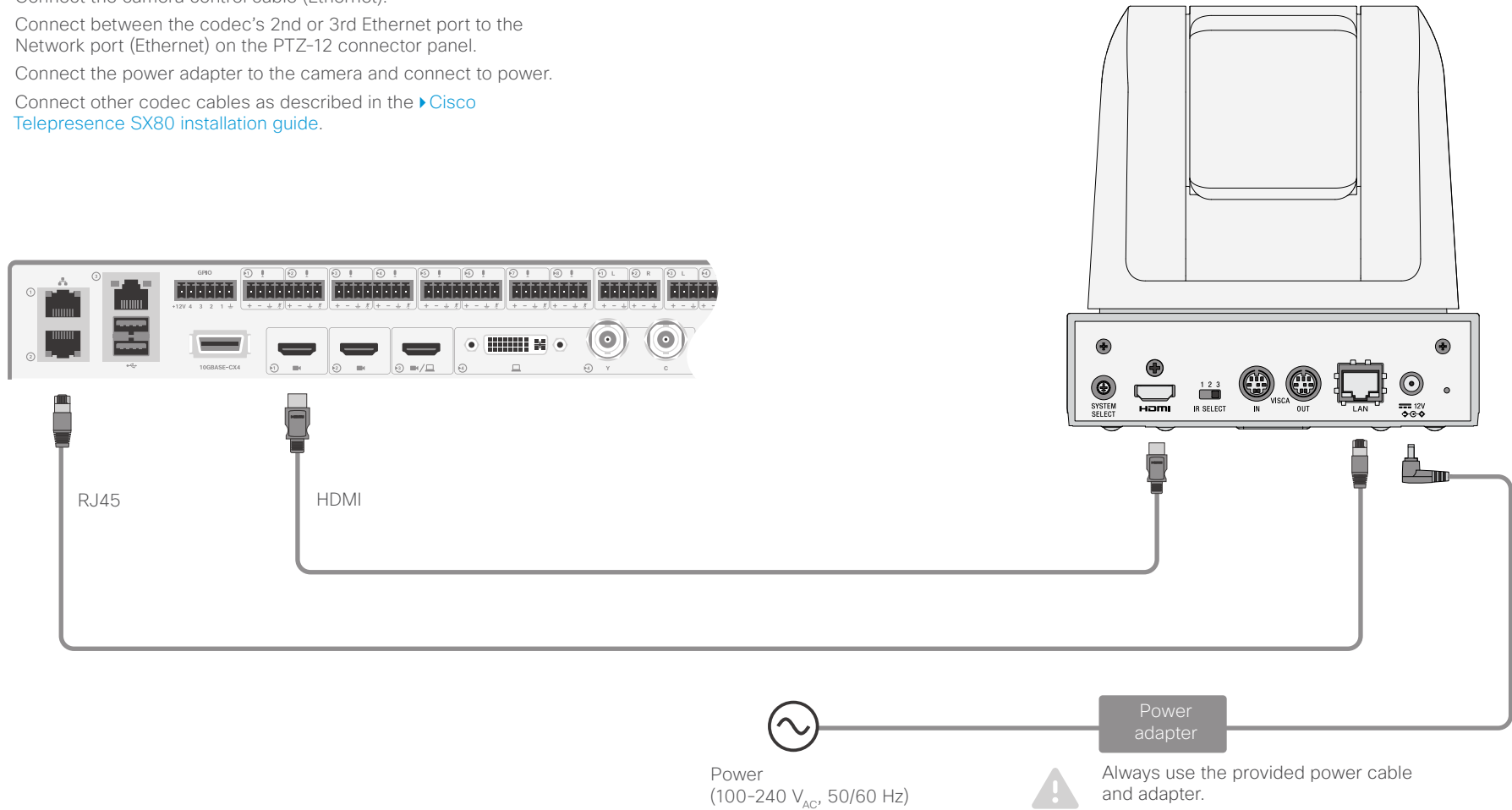
Connect PTZ-12 to Codec Pro

- Connect the video cable (HDMI) between the camera and codec.
Codec: Always use Connector 1 (HDMI input) for the main camera.
Camera: Connect to the HDMI output.
- Connect the camera control cable (Ethernet) between the camera and codec.
Codec: The connector is marked with the camera control symbol.
Camera: Connect to the Ethernet port.
- Connect the power adapter to the camera and connect to power.
- Connect other codec cables as described in the [Cisco Codec Pro installation guide](#).



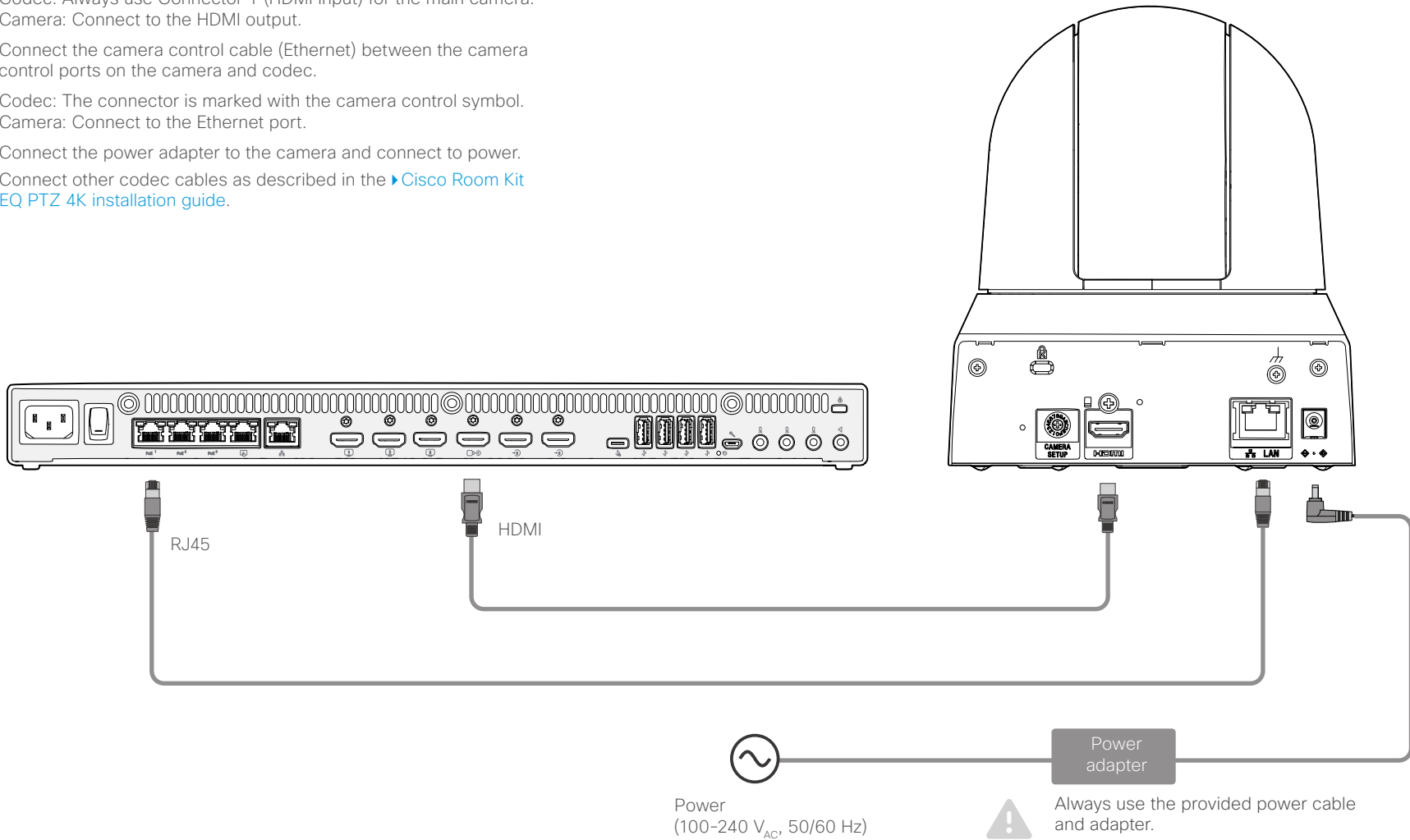
Connect PTZ-12 to SX80 Codec

- Connect the video cable (HDMI) between the camera and codec.
Codec: Always use Connector 1 (HDMI input) for the main camera.
Camera: Connect to the HDMI output.
- Connect the camera control cable (Ethernet).
Connect between the codec's 2nd or 3rd Ethernet port to the Network port (Ethernet) on the PTZ-12 connector panel.
- Connect the power adapter to the camera and connect to power.
- Connect other codec cables as described in the [Cisco Telepresence SX80 installation guide](#).



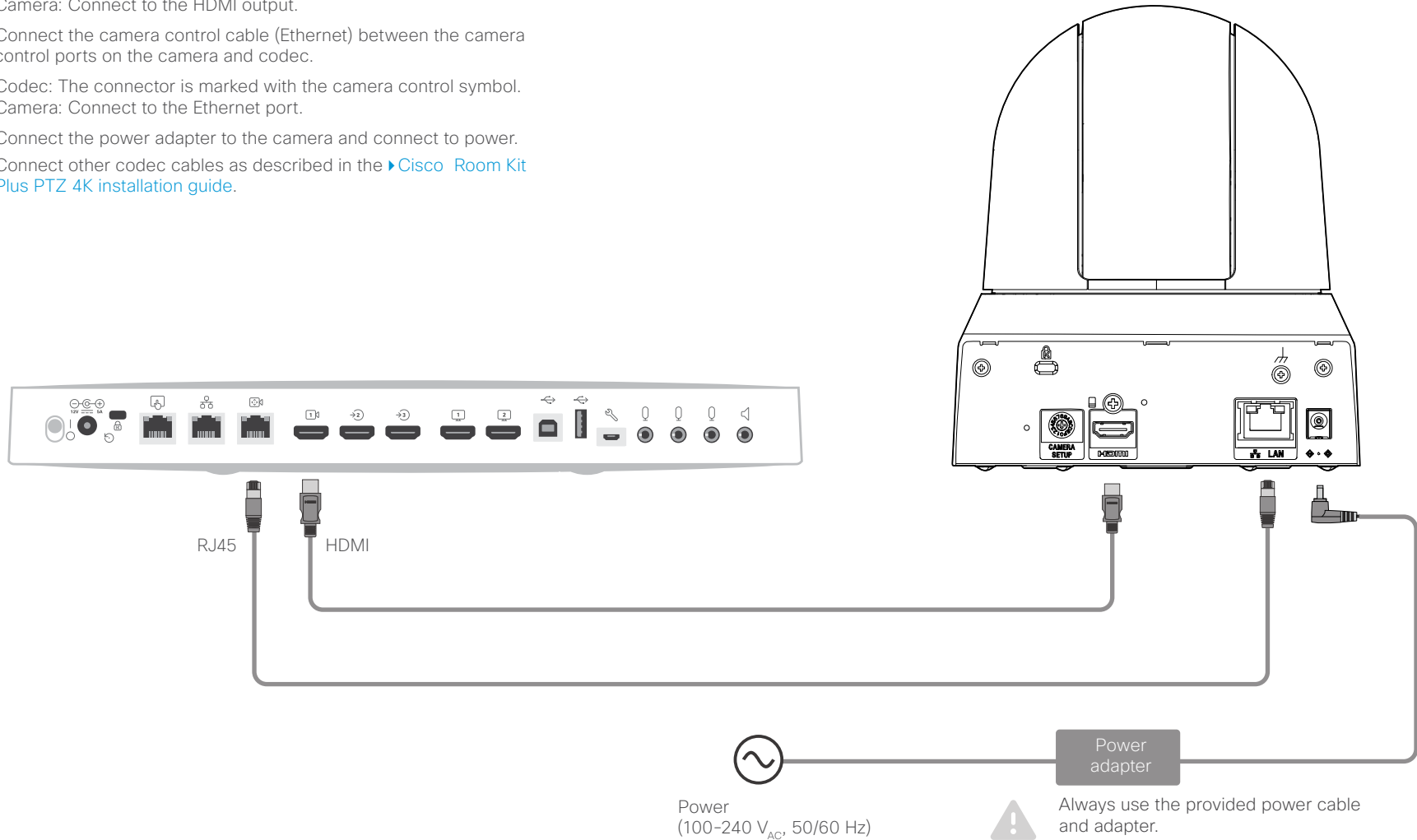
Connect PTZ 4K to Codec EQ

- Connect the video cable (HDMI) between the camera and codec.
Codec: Always use Connector 1 (HDMI input) for the main camera.
Camera: Connect to the HDMI output.
- Connect the camera control cable (Ethernet) between the camera and codec.
Codec: The connector is marked with the camera control symbol.
Camera: Connect to the Ethernet port.
- Connect the power adapter to the camera and connect to power.
- Connect other codec cables as described in the [Cisco Room Kit EQ PTZ 4K installation guide](#).



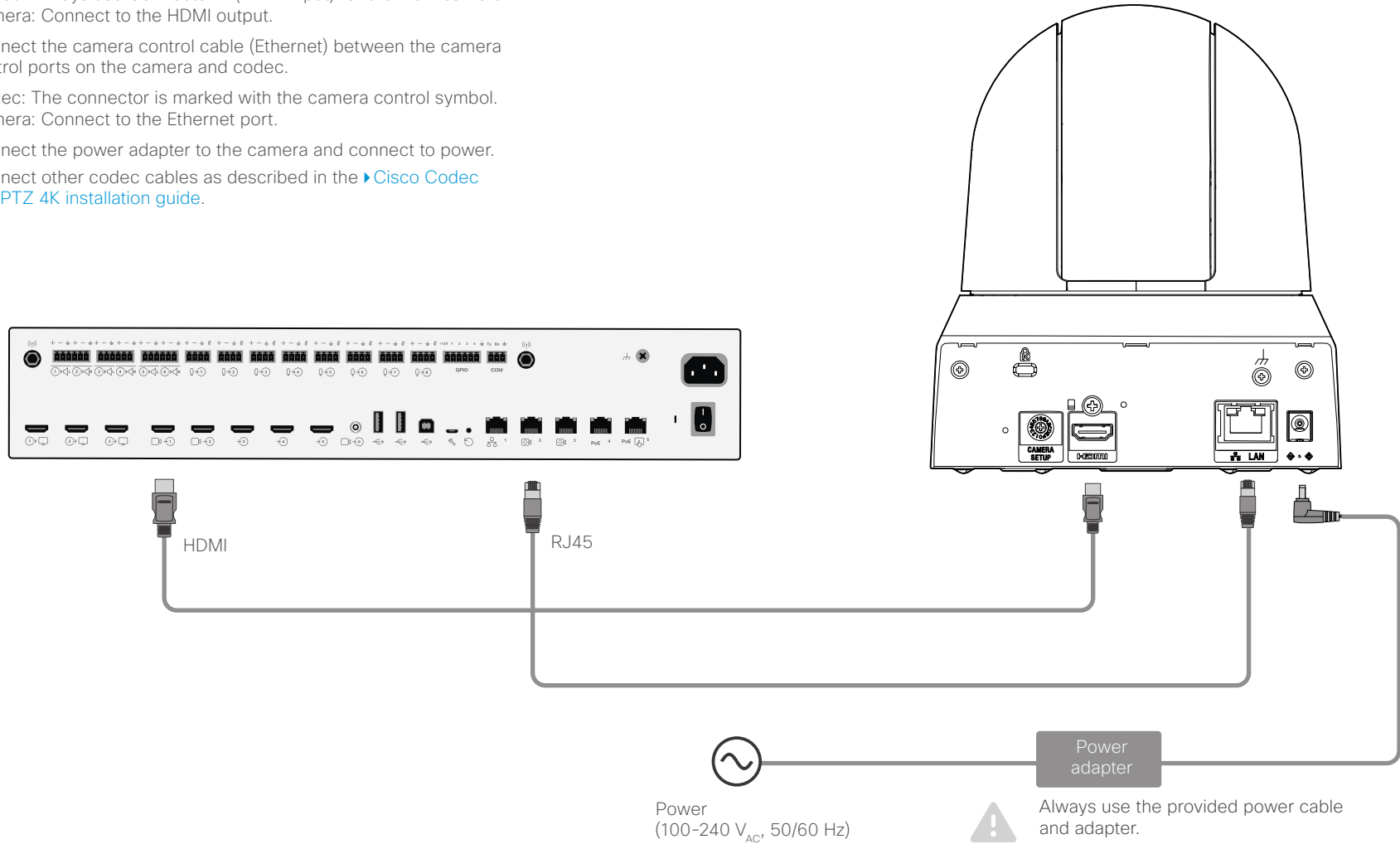
Connect PTZ 4K to Codec Plus

- Connect the video cable (HDMI) between the camera and codec.
Codec: Always use Connector 1 (HDMI input) for the main camera.
Camera: Connect to the HDMI output.
- Connect the camera control cable (Ethernet) between the camera and codec.
Codec: The connector is marked with the camera control symbol.
Camera: Connect to the Ethernet port.
- Connect the power adapter to the camera and connect to power.
- Connect other codec cables as described in the [Cisco Room Kit Plus PTZ 4K installation guide](#).



Connect PTZ 4K to Codec Pro

- Connect the video cable (HDMI) between the camera and codec.
Codec: Always use Connector 1 (HDMI input) for the main camera.
Camera: Connect to the HDMI output.
- Connect the camera control cable (Ethernet) between the camera control ports on the camera and codec.
Codec: The connector is marked with the camera control symbol.
Camera: Connect to the Ethernet port.
- Connect the power adapter to the camera and connect to power.
- Connect other codec cables as described in the [Cisco Codec Pro PTZ 4K installation guide](#).

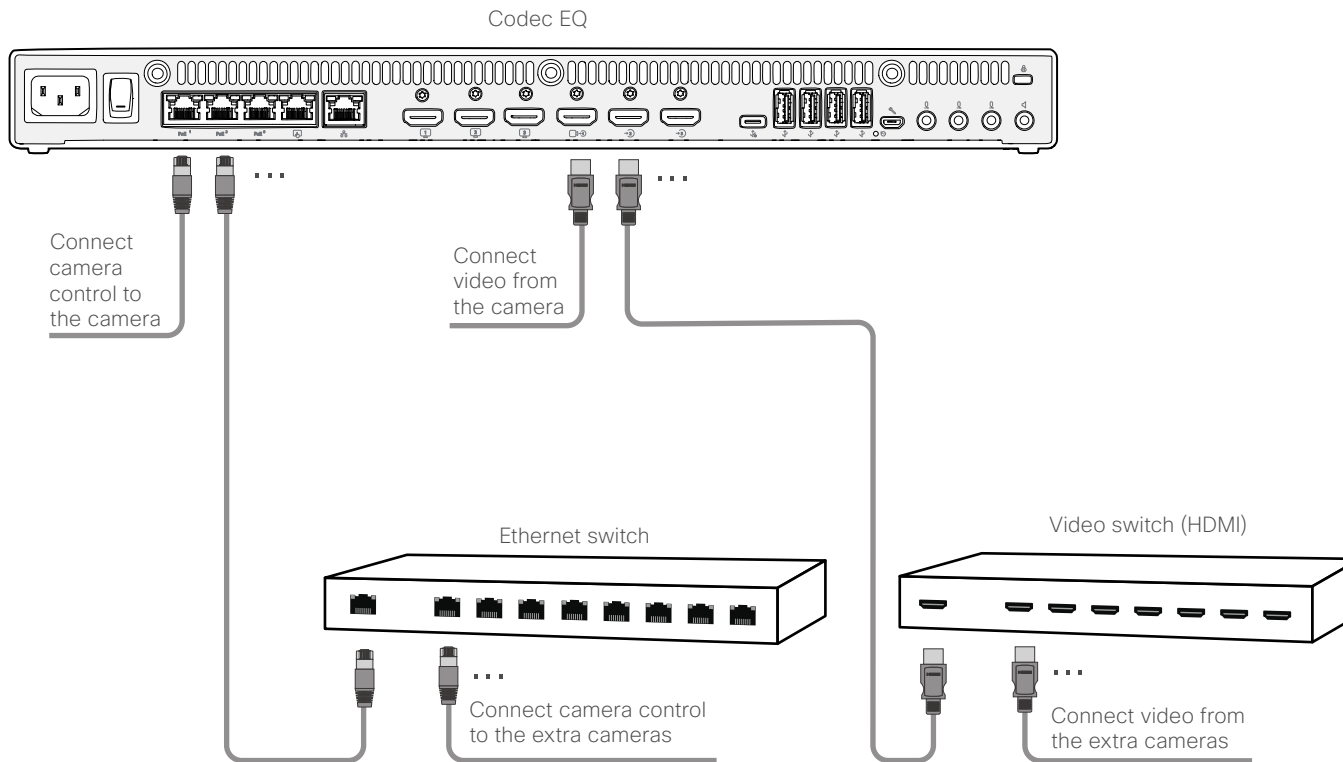


Connecting multiple cameras to the Codec EQ

Main camera

Normally you should use Connector 1 (HDMI) on the codec for the main camera. When the main camera is a Quad Camera or a PTZ 4K, always use Connector 1 (HDMI) on the codec for this camera. Only **one** camera with speaker track functionality (the Quad Camera) can be connected at the time.

Each of the four first Ethernet ports support the PoE++ IEEE802.bt standard, which is maximum 90W per port. The delivery capability is maximum 90W for the four ports combined.



Adding multiple cameras

The Codec EQ supports up to seven cameras. The codec has three HDMI video input connectors for cameras and content.

- All three video inputs can be used for cameras if you don't need an HDMI input for content.
- If the total number of HDMI input sources (cameras and content) exceeds three, you will need an external video switch. If any of the cameras are connected through the video switch you will need a program (macro) to change camera IDs in the API.
- If you need more than two Ethernet ports for camera control, then you will need an Ethernet switch.

See the *Customization Guide* for details on macros and the use of an external video switch.

► <https://www.cisco.com/c/en/us/support/collaboration-endpoints/spark-room-kit-series/products-installation-and-configuration-guides-list.html>

Connecting multiple cameras to the Codec Pro

Main camera

Normally you should use Connector 1 (HDMI) on the codec for the main camera. When the main camera is a Quad Camera or a PTZ-12, always use Connector 1 (HDMI) on the codec for this camera. If you are using 3G SDI from the Precision 60 Camera as the main camera, then the Connector 6 will be for the main camera. Only **one** camera with speaker track functionality can be connected at the time. Cameras with speaker track functionality are the Quad Camera and SpeakerTrack 60.

Using the HD-BNC connector

You can connect a Precision 60 camera to the codec using a coaxial cable for the video signal (3G SDI). Because the camera has a BNC connector and the codec has an HD-BNC connector, you will need a BNC to HD-BNC cable or a BNC to HD-BNC adapter. For camera control, connect the camera control cable (Ethernet) between the camera control ports. When connecting a Precision 60 camera using 3G-SDI, the codec does not receive EDID from the camera. The camera serial number needs to be added to the Camera setting in the configuration.

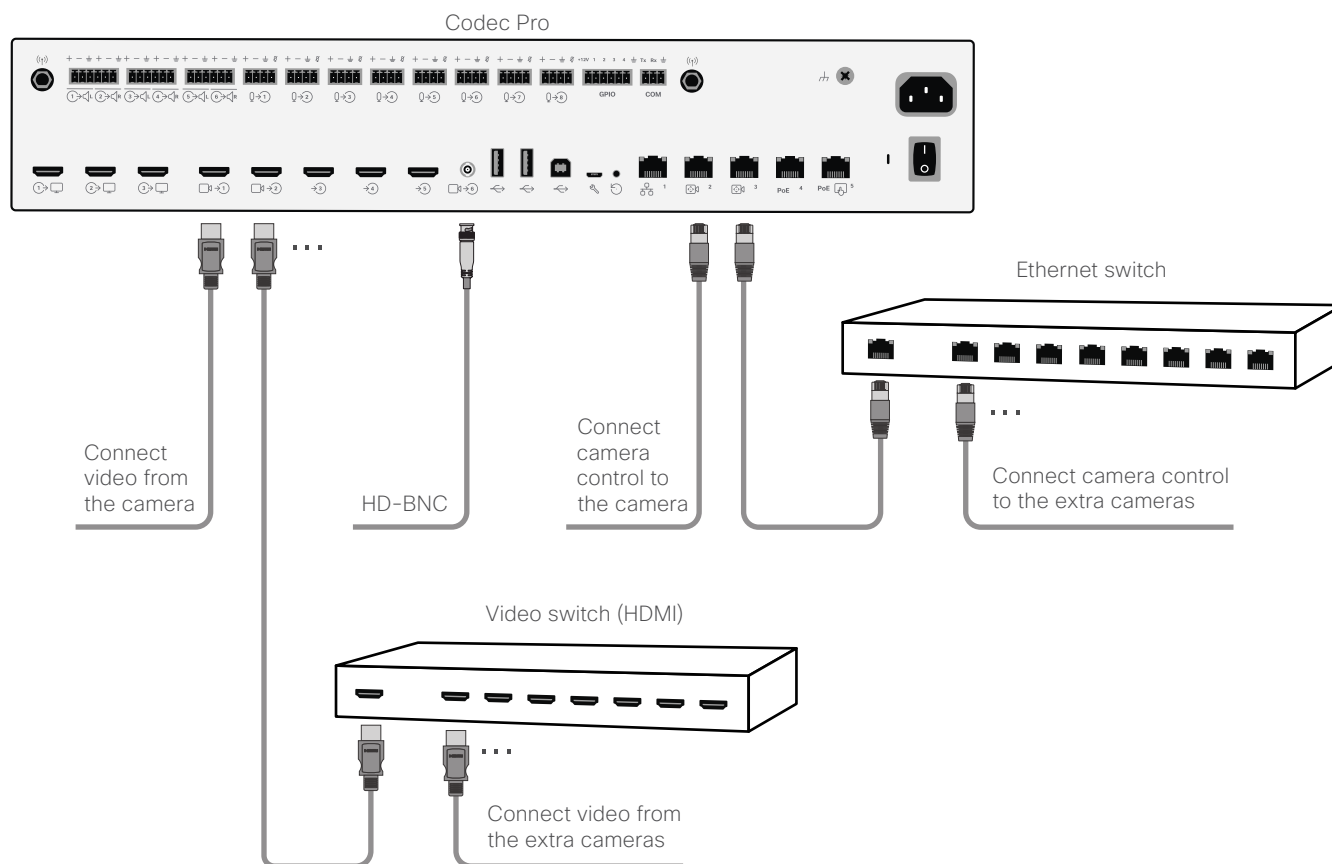
Adding multiple cameras

The Codec Pro supports up to seven cameras. The codec has six video input connectors for cameras and content.

- For six cameras and no content, all six video inputs can be used for cameras.
- If the total number of input sources (cameras and content) exceeds six, you will need an external video switch. If any of the cameras are connected through the video switch you will need a program (macro) to change camera IDs in the API.
- If you need more than two Ethernet ports for camera control, then you will need an Ethernet switch.
- Multiple PTZ-12 cameras are supported from CE9.7.

See the *Customization Guide* for details on macros and the use of an external video switch.

► <https://www.cisco.com/c/en/us/support/collaboration-endpoints/spark-room-kit-series/products-installation-and-configuration-guides-list.html>



Connecting multiple cameras to the SX80 codec

Main camera

Normally you should use Video Input Connector 1 (HDMI) on the codec for the main camera. Only **one** camera with speaker track functionality can be connected at the time. Cameras with speaker track functionality are the Quad Camera and SpeakerTrack 60.

Using the analog video or DVI-I inputs

You can connect a third party analog camera to the analog video input on the codec. S-Video: Connect to both the Y and C connectors; Composite: Connect to the Y connector. Note that camera control is not available for this connector (Connector 5).



Note that the DVI-I and BNC video inputs are mutually excluding, you may only use either the DVI-I, the Composite, or the S-video at a time.

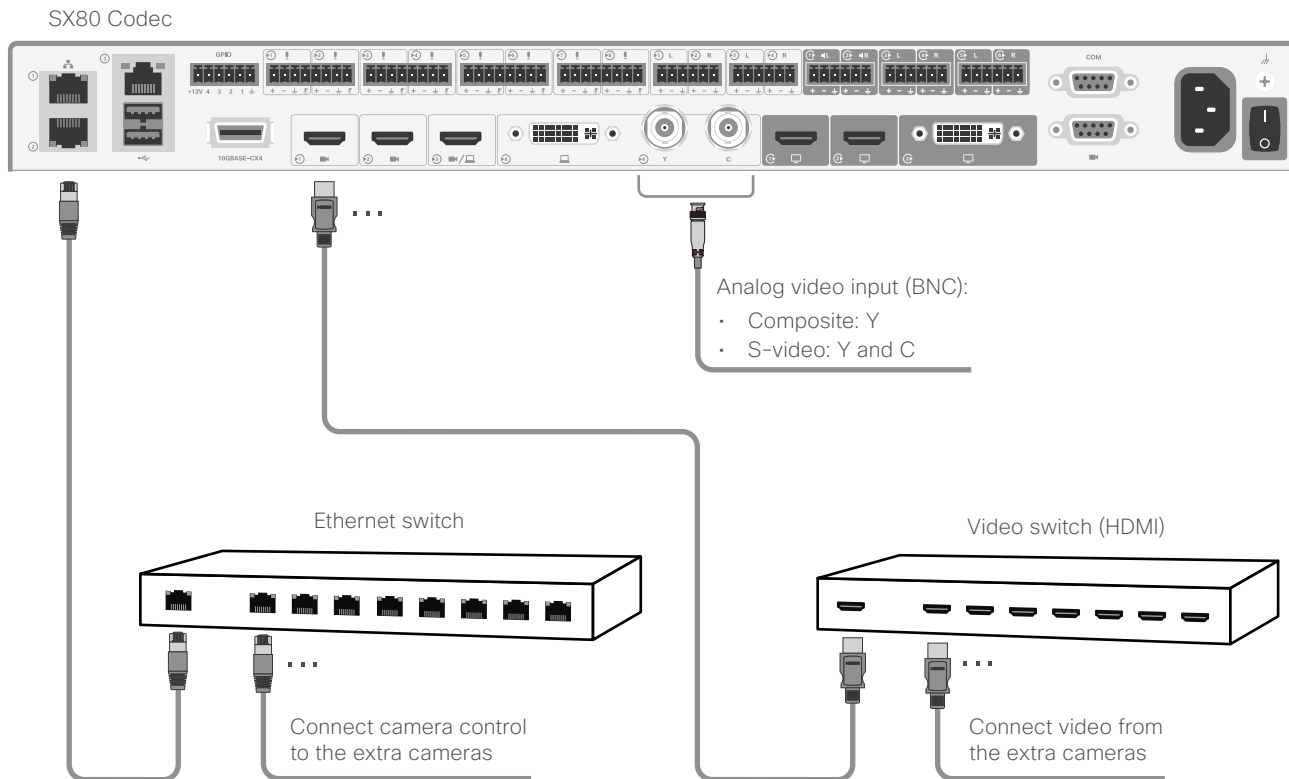
Adding multiple cameras

The SX80 codec supports up to seven cameras. The codec has four simultaneous video input connectors for cameras and content.

- For four cameras and no content, all three HDMI inputs, and either the analog video input (BNC) or the DVI input can be used for cameras.
- If the total number of input sources (cameras and content) exceeds four, you will need an external video switch. If any of the cameras are connected through the video switch you will need a program (macro) to change camera IDs in the API.
- If you need more than two Ethernet ports for camera control or other devices (for example a touch controller), then you will need an Ethernet switch.
- If you connect a camera to the DVI-I input, you must add the camera's serial number to be able to control the camera (Cameras > Camera n > AssignedSerialNumber).
- Multiple PTZ-12 cameras are supported from CE9.7.

See the *Customization Guide* for details on macros and the use of an external video switch.

► <https://www.cisco.com/c/en/us/support/collaboration-endpoints/spark-room-kit-series/products-installation-and-configuration-guides-list.html>



Connecting multiple cameras to an Ethernet switch

Adding multiple cameras

Use an Ethernet switch in order to connect more cameras or other devices. If you need more Ethernet ports for camera control or other devices (for example a touch controller), then you will need an Ethernet switch.

Network port 1

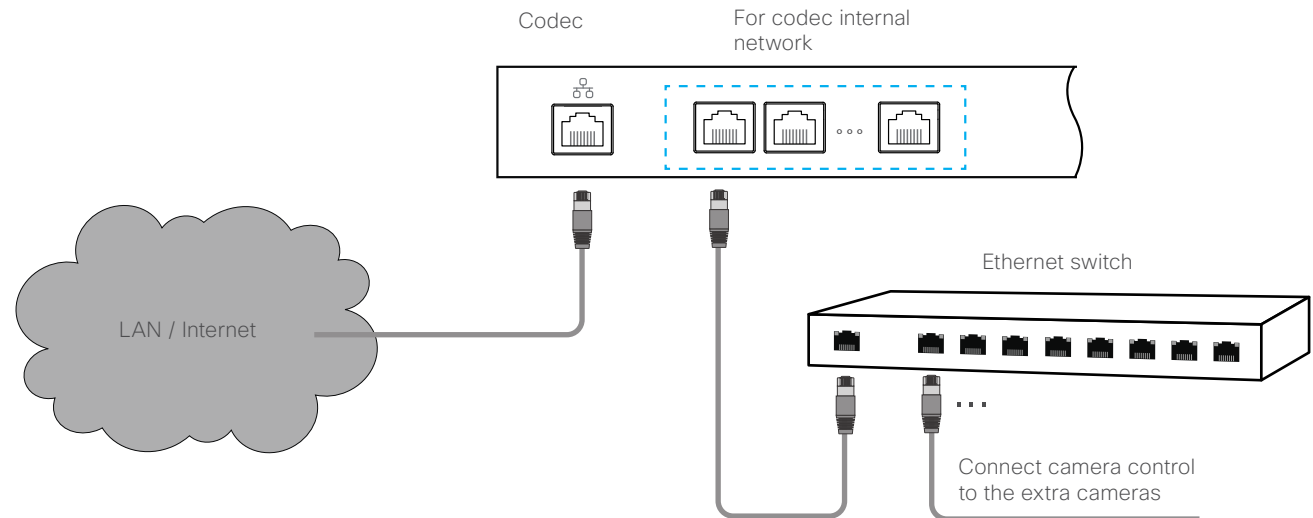
The Network port 1, which is the main network port, is always reserved for the connection to the local area network (LAN). This applies to all codecs. Network port 1 is marked with the number 1, the network symbol, or both. Do not connect the Ethernet switch to this port.

Auxiliary network ports

The additional network ports on the codecs can be used for an Ethernet switch. Routers are not supported.

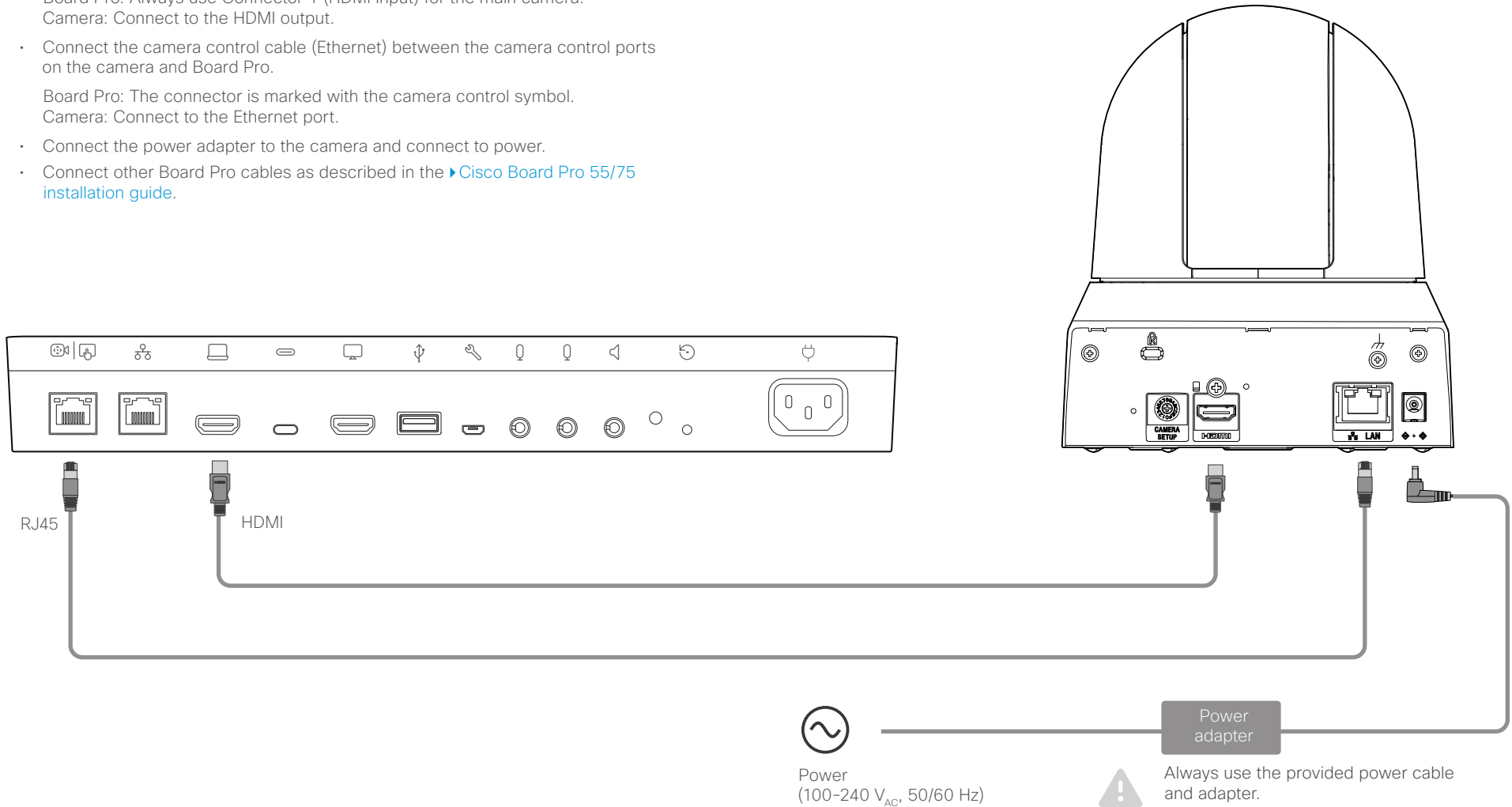
The cameras or other devices connected to the Ethernet switch get the IP address on the codec internal network. This network cannot forward packets to the internet.

Check the [administrator guide](#) for more information about auxiliary network ports in the **About Ethernet Port** section.



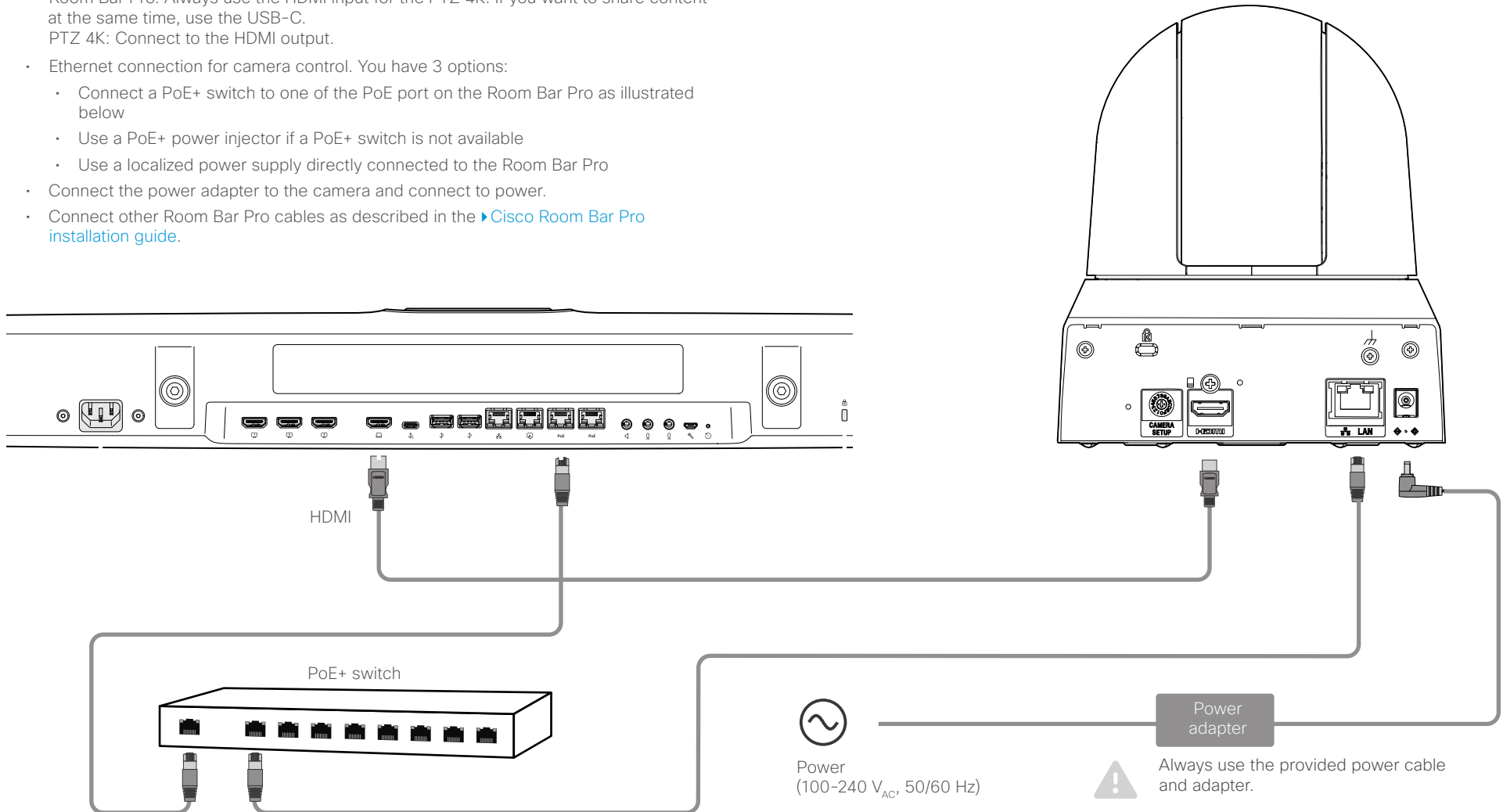
Connect PTZ 4K to the Board Pro

- Connect the video cable (HDMI) between the camera and the Board Pro.
Board Pro: Always use Connector 1 (HDMI input) for the main camera.
Camera: Connect to the HDMI output.
- Connect the camera control cable (Ethernet) between the camera control ports on the camera and Board Pro.
Board Pro: The connector is marked with the camera control symbol.
Camera: Connect to the Ethernet port.
- Connect the power adapter to the camera and connect to power.
- Connect other Board Pro cables as described in the [Cisco Board Pro 55/75 installation guide](#).



Connect PTZ 4K to the Room Bar Pro

- Connect the video cable (HDMI) between the PTZ 4K and the Room Bar Pro.
Room Bar Pro: Always use the HDMI input for the PTZ 4K. If you want to share content at the same time, use the USB-C.
PTZ 4K: Connect to the HDMI output.
- Ethernet connection for camera control. You have 3 options:
 - Connect a PoE+ switch to one of the PoE port on the Room Bar Pro as illustrated below
 - Use a PoE+ power injector if a PoE+ switch is not available
 - Use a localized power supply directly connected to the Room Bar Pro
- Connect the power adapter to the camera and connect to power.
- Connect other Room Bar Pro cables as described in the [Cisco Room Bar Pro installation guide](#).





CHAPTER 4

Factory reset

Quad Camera

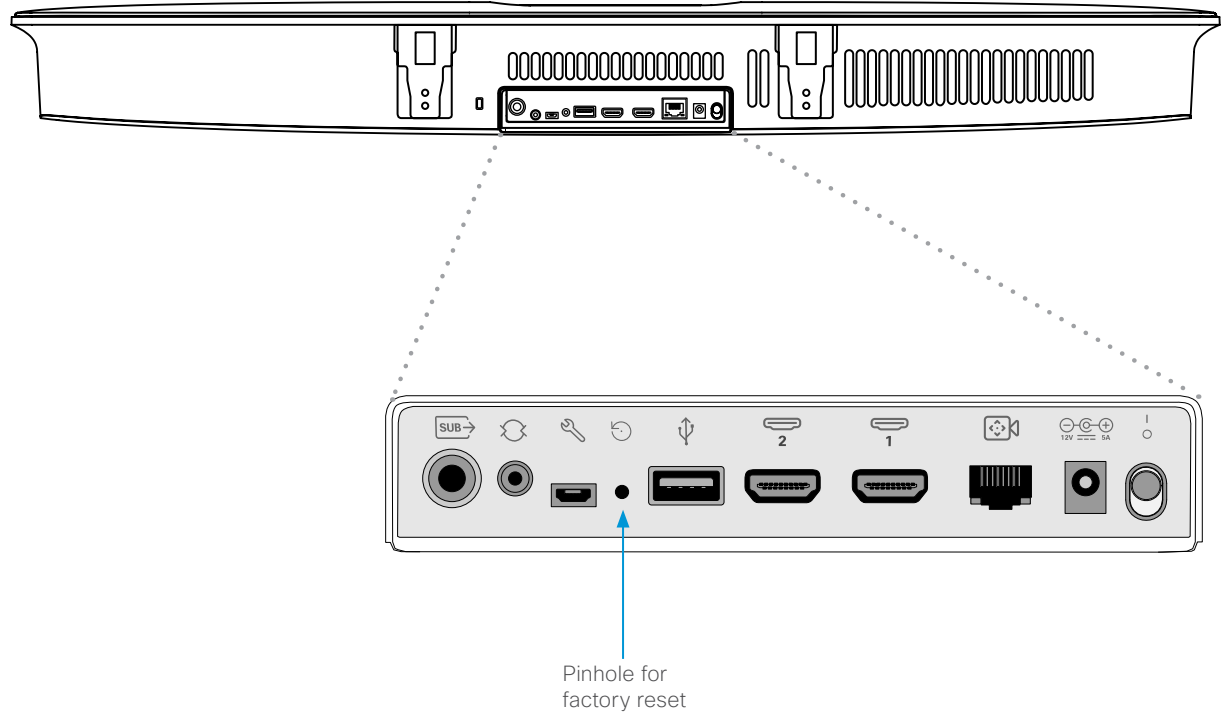
A factory reset should only be performed by a system administrator or in contact with Cisco technical support.

The camera will be reset to factory defaults, and all configuration and logs will be erased.

 It is *not* possible to undo a factory reset.

To perform a factory reset:


1. Locate the pinhole button at the back of the camera.
2. Use a pen or similar to press and hold the factory reset button for about 6 seconds, until the white LED at the front of the camera starts blinking.
3. The system restarts two times to complete the factory reset operation. This procedure may take up to 5 minutes, depending on the software version.
4. The white LED will start pulsing normally once the factory reset operation is complete and the unit is starting normally.



Precision 60 Camera


A factory reset should only be performed by a system administrator or in contact with Cisco technical support.

The camera will be reset to factory defaults, and all configuration and logs will be erased.

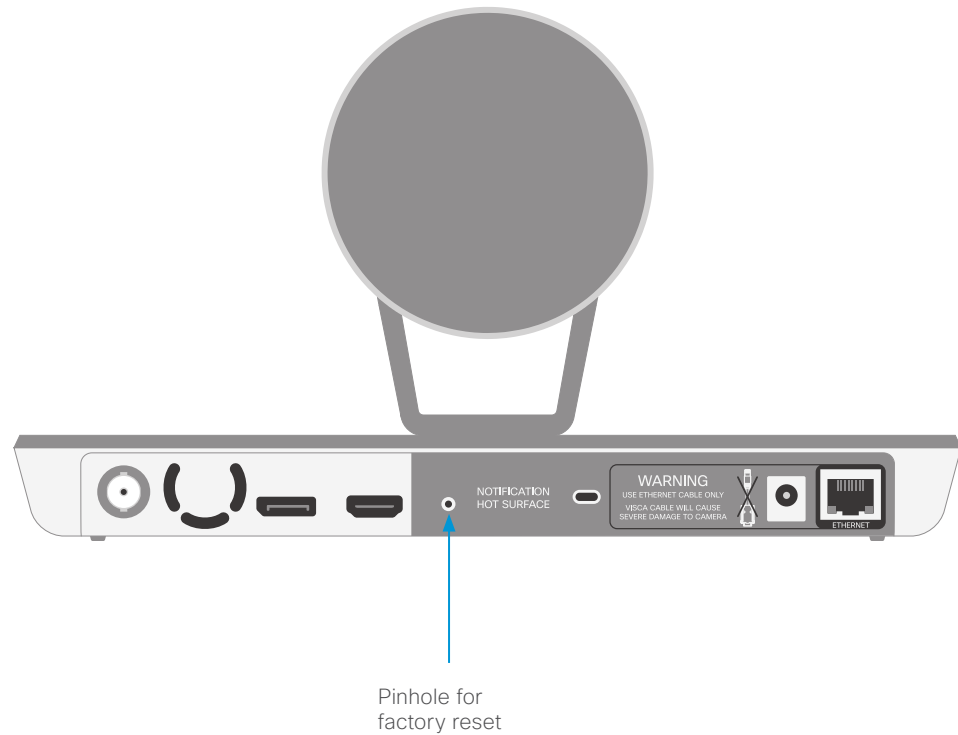
 **It is *not* possible to undo a factory reset.**

To perform a factory reset:

1. Locate the pinhole button at the back of the camera.
2. Use a pen or similar to press and hold the factory reset button for 10 seconds.
3. The camera LED will be lit red during the factory reset.

 **Do not unplug power.**

4. When the factory reset is complete, the camera restarts and the camera LED lights up.




SpeakerTrack 60 Camera

Factory resetting the device

A factory reset should only be performed by a system administrator or in contact with Cisco technical support.

The device will be reset to factory defaults, and all configuration and logs will be erased.

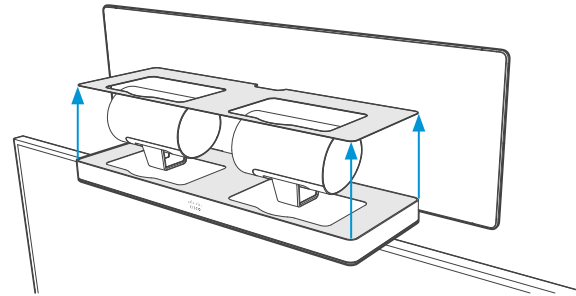
If errors continue to occur, the cameras might have to be reset too. See the next page for instructions on how to reset the cameras.

 It is *not* possible to undo a factory reset.

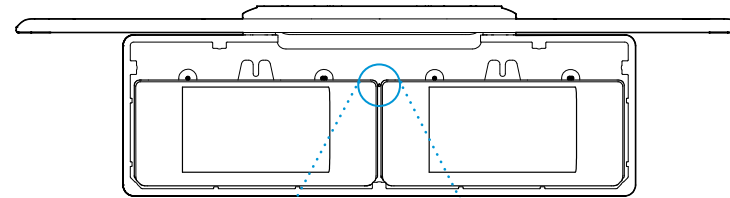
To perform a factory reset:

1. Unplug the power.
2. Remove the top cover of the SpeakerTrack 60 device.
3. Locate the pinhole button at the top of the SpeakerTrack 60.
4. Use a pen or similar to press and hold the factory reset button for 5 seconds while plugging the power back in.
5. When the factory reset is complete, the device restarts and the LED lights up.

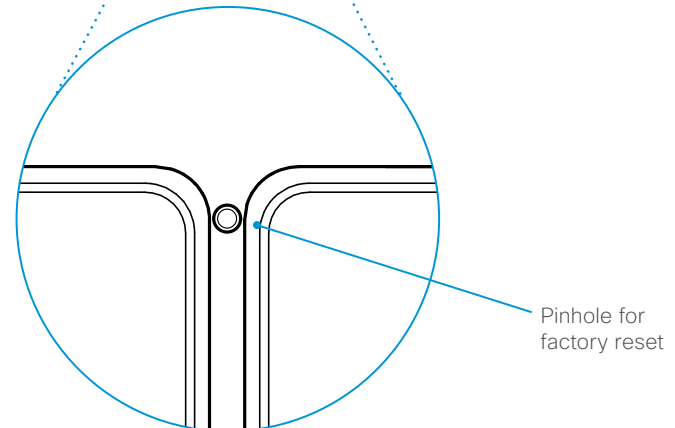
1



2



3



SpeakerTrack 60 Camera

Factory resetting the cameras

Lift the cameras from the carrier tray in order to reset them. The pinhole button is on the back panel of the camera.

A factory reset should only be performed by a system administrator or in contact with Cisco technical support.

The cameras will be reset to factory defaults, and all configuration and logs will be erased.

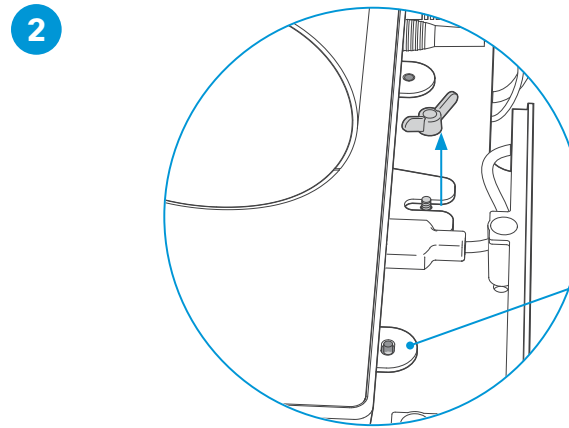
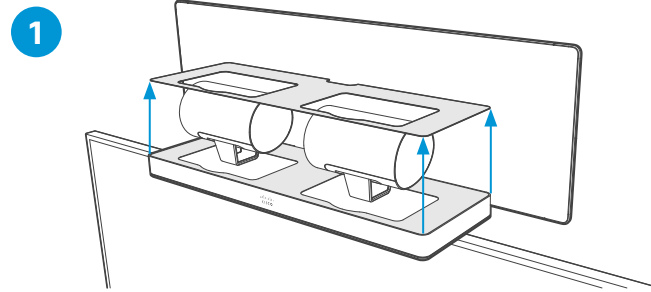
! It is *not* possible to undo a factory reset.

To perform a factory reset:

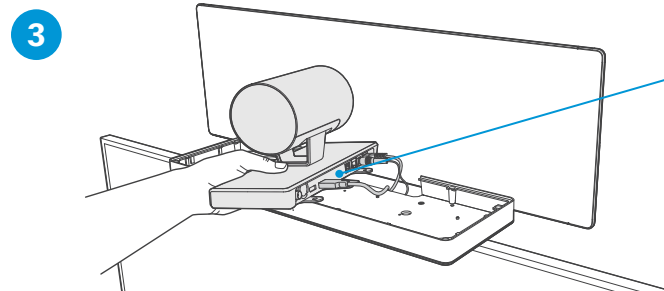
1. Remove the top cover of the SpeakerTrack 60 device.
2. Unscrew the wing nut that fastens the camera.
3. Locate the pinhole button at the back of the camera. See also the [Precision60 Camera](#) chapter.
4. Use a pen or similar to press and hold the factory reset button for 10 seconds.
5. The camera LED will be lit red during the factory reset.

! Do not unplug power.

6. When the factory reset is complete, the camera restarts and the camera LED lights up.
7. Set the camera back to the tray and tighten the wing nut (see picture 2 on the right).
8. Repeat steps 2-7 with the other camera.
9. Set back the top cover.



When replacing the camera, make sure the pins on the base plate fit the holes in the camera interface plate.



Locate the pinhole on the back panel of the camera.



CHAPTER 5

Appendix

Technical specifications

Quad Camera

- 5k Ultra HD camera
- Speaker tracking¹
- 5120 x 2880 pixel resolution
- 7x digital zoom (3 tele-lenses each with 50° horizontal field of view)
- 83° horizontal field of view
- 51.5° vertical field of view
- Focus distance: 1.0m-∞ (wide)
- F-value: 2.0
- Support up to 60fps
- 15.1 MP image sensor
- Best-overview
- Camera control over Ethernet
- Automatic focus, brightness and white balance
- IP network features:
 - DNS lookup for service configuration
 - Date and Time support via NTP
 - TCP/IP
 - DHCP
- LAN/Ethernet (RJ45) 10/100/1000 Mbit network interface
- 2 HDMI connectors
- RCA subwoofer output
- Power adapter (FSP070-AHAN2, AcBel ADF019):
 - 100 to 240 V_{AC}; 50/60 Hz, 12 V_{DC} input
 - 12 V_{DC}; Max.5.83 A output
- Operating temperature and humidity:
 - 0°C to 35°C (32°F to 195°F)
 - 10 to 90% relative humidity
- Storing and transport temperature and humidity:
 - -20°C to 60°C (-4°F to 140°F)
 - 10 to 90 % relative humidity, non condensing

- Height: 120mm/4.7 in
- Width: 95mm/37.4 in
- Depth: 103mm/4.0 in
- Weight: 4.8kg/10.6lbs
- Part number: CS-QUADCAM=


 For more information about the camera dimension, refer to the [CAD drawings](#) on the Cisco website.



¹ Certain room conditions such as lighting and acoustics can significantly impact the Quad camera's ability to detect every person present. Speaker tracking functionality works best under optimal room conditions in combination with a seating area that is a maximum of 8m/26ft deep and up to 5m/16ft wide, in relation to the camera's position. Sub-optimal room conditions or a camera distance greater than 8m/26ft will cause performance to degrade. Participants seated outside the horizontal field of view (83°) will not be detected.

Precision 60 Camera

- 1080p60 Full High Definition
- 10 x optical zoom
- 2x digital zoom
- 20x zoom combined
- Pan range: -100° to +100° (+/- 1°)
- Tilt range: -20° to +20°(+/- 1°)
- 80° horizontal field of view
- 48.8° vertical field of view
- Focus distance: 1.0m-∞ (wide)
- F-value: 1.5
- Camera control over Ethernet
- Automatic or manual focus, brightness and white balance
- IP network features:
 - DNS lookup for service configuration
 - Date and Time support via NTP
 - TCP/IP
 - DHCP
- LAN/Ethernet (RJ45) 10 Mbit network interface
- HDMI and 3G-SDI video interfaces
- Power adapter (FSP040-DGAA1, FSP040-RHAN2):
 - Input: 100-120 or 200-240 V_{AC}; 50 or 60 Hz
 - Output: 12 V_{DC} / 3.33 A
- Operating temperature and humidity:
 - 0°C to 40°C (32°F to 104°F)
 - 10 to 90% relative humidity
- Storing and transport temperature and humidity:
 - -20°C to 60°C (-4°F to 140°F)
 - 10 to 90 % relative humidity, non condensing
- Height: 152 mm/6.0in
- Width: 268 mm/10.6 in
- Depth: 163 mm/6.4 in
- Weight: 2.5 kg/5.5 lbs
- Part number: CTS-CAM-P60=

 For more information about the camera dimension, refer to the [CAD drawings](#) on the Cisco website.



SpeakerTrack 60 Camera


- 1080p60 Full High Definition
- 10x optical zoom
- 2x digital zoom
- 20x zoom combined
- Pan range: -100° to +100° (+/- 1°)
- Tilt range: -20° to +20°(+/- 1°)
- 80° horizontal field of view (FoV)
- 48.8° vertical FoV
- Tracking horizontal FoV: 80°
- Focus distance: 1.0m-∞ (wide)
- F-value: 1.5
- Camera control over Ethernet
- Automatic or manual focus, brightness and white balance
- IP network features:
 - DNS lookup for service configuration
 - Date and Time support via NTP
 - TCP/IP
 - DHCP
- LAN/Ethernet (RJ45) 10/100 Mbit network interface
- HDMI 1.4 video interface
- Power adapter (FSP084-DIBAN2):
 - Input: 100-120 or 200-240 V_{AC}; 50 or 60 Hz
 - Output: 12 V_{DC} / 7 A
- Operating temperature and humidity:
 - 0°C to 40°C (32°F to 104°F)
 - 10 to 90 % relative humidity
- Storing and transport temperature and humidity:
 - -20°C to 60 °C (-4°F to 140°F)
 - 10 to 90 % relative humidity, non condensing
- Compatibility information:
 - Compatible with C40, C60, C90 and SX80 codecs
 - Requires a Cisco Touch 8 or Touch 10 user interface (unless a control system is used)
- Height: 292 mm/11.5 in
- Width: 800 mm/31.5 in
- Depth: 210 mm/8.3 in
- Weight: 11.5 kg/25.4 lbs
- Part number: CTS-SPKER-TRACK60



For more information about the camera dimension, refer to the [CAD drawings](#) on the Cisco website.

PTZ-12 Camera

- 1080p60 Full High Definition
- 12x optical zoom
- 12x digital zoom
- Pan range: -100° to +100°
- Tilt range: -25° to +25°
- 71° horizontal field of view (FoV)
- Installation angle: Less than -15° to +15° to the horizontal surface
- F-value: 1.8 to 2.0
- Camera control over Ethernet
- Automatic or manual focus, brightness and white balance
- LAN/Ethernet (RJ45) 10/100 Mbit network interface
- HDMI video: Type A (19-pin)
- AC Power adapter (JEITA type4):
- Input voltage: 12V_{DC}, 1.4 A.
- Operating temperature and humidity:
 - 0°C to 40°C (32°F to 104°F)
- Storing and transport temperature and humidity:
 - -20°C to 60 °C (-4°F to 140°F)
- Compatibility information:
 - Compatible with Codec Plus
- Height: 156 mm/6.14 in
- Width: 153 mm/6.02 in
- Depth: 153 mm/6.02 in
- Weight: 1.46 kg
- Part number: CS-CAM-PTZ12=

 For more information about the camera dimension, refer to the [CAD drawings](#) on the Cisco website.



PTZ 4K Camera

- 4K HDMI video output
- 20x optical zoom
- 12x digital zoom
- 240x total zoom
- Image sensor: approx. 8.5M pixels
- Pan range: $\pm 170^\circ$
- Tilt range: -20° to $+90^\circ$
- 70° horizontal field of view (FoV)
- Installation angle: Less than -15° to $+15^\circ$ to the horizontal surface
- F-value: 2.0 to 3.8
- Focus distance: 1.0m to infinity (wide)
- Focus, white balance, and brightness: manual or automatic
- LAN/Ethernet (RJ45) 10/100 Mbit network interface
- For camera control interface:
 - Standards: VISCA over IP
- HDMI connector: Type A
- Input voltage: 12VDC 3A
- Operating temperature:
 - 0°C to 40°C (32°F to 104°F)
- Operating humidity:
 - 20% to 80%
- Storing temperature:
 - -20°C to 60°C (-4°F to 140°F)
- Storing humidity:
 - 20% to 95%
- Compatibility information:
 - Compatible with Codec Plus
 - Compatible with Coded Pro
- Height: 177.5 mm/7 in
- Width: 158.4 mm/6.25in
- Depth: 200.2 mm/8 in
- Weight: 1.7 kg/3.7 lbs
- Part number: CS-CAM-PTZ4K=



For more information about the camera dimension, refer to the [CAD drawings](#) on the Cisco website.



THE SPECIFICATIONS AND INFORMATION REGARDING THE PRODUCTS IN THIS MANUAL ARE SUBJECT TO CHANGE WITHOUT NOTICE. ALL STATEMENTS, INFORMATION, AND RECOMMENDATIONS IN THIS MANUAL ARE BELIEVED TO BE ACCURATE BUT ARE PRESENTED WITHOUT WARRANTY OF ANY KIND, EXPRESS OR IMPLIED. USERS MUST TAKE FULL RESPONSIBILITY FOR THEIR APPLICATION OF ANY PRODUCTS.

THE SOFTWARE LICENSE AND LIMITED WARRANTY FOR THE ACCOMPANYING PRODUCT ARE SET FORTH IN THE INFORMATION PACKET THAT SHIPPED WITH THE PRODUCT AND ARE INCORPORATED HEREIN BY THIS REFERENCE. IF YOU ARE UNABLE TO LOCATE THE SOFTWARE LICENSE OR LIMITED WARRANTY, CONTACT YOUR CISCO REPRESENTATIVE FOR A COPY.

The Cisco implementation of TCP header compression is an adaptation of a program developed by the University of California, Berkeley (UCB) as part of UCB's public domain version of the UNIX operating system. All rights reserved. Copyright © 1981, Regents of the University of California.

NOTWITHSTANDING ANY OTHER WARRANTY HEREIN, ALL DOCUMENT FILES AND SOFTWARE OF THESE SUPPLIERS ARE PROVIDED "AS IS" WITH ALL FAULTS. CISCO AND THE ABOVE-NAMED SUPPLIERS DISCLAIM ALL WARRANTIES, EXPRESSED OR IMPLIED, INCLUDING, WITHOUT LIMITATION, THOSE OF MERCHANTABILITY, FITNESS FOR A PARTICULAR PURPOSE AND NON-INFRINGEMENT OR ARISING FROM A COURSE OF DEALING, USAGE, OR TRADE PRACTICE.

IN NO EVENT SHALL CISCO OR ITS SUPPLIERS BE LIABLE FOR ANY INDIRECT, SPECIAL, CONSEQUENTIAL, OR INCIDENTAL DAMAGES, INCLUDING, WITHOUT LIMITATION, LOST PROFITS OR LOSS OR DAMAGE TO DATA ARISING OUT OF THE USE OR INABILITY TO USE THIS MANUAL, EVEN IF CISCO OR ITS SUPPLIERS HAVE BEEN ADVISED OF THE POSSIBILITY OF SUCH DAMAGES.

Any Internet Protocol (IP) addresses and phone numbers used in this document are not intended to be actual addresses and phone numbers. Any examples, command display output, network topology diagrams, and other figures included in the document are shown for illustrative purposes only. Any use of actual IP addresses or phone numbers in illustrative content is unintentional and coincidental.

All printed copies and duplicate soft copies of this document are considered uncontrolled. See the current online version for the latest version.

Cisco has more than 200 offices worldwide. Addresses, phone numbers, and fax numbers are listed on the Cisco website at www.cisco.com/go/offices.

Cisco and the Cisco logo are trademarks or registered trademarks of Cisco and/or its affiliates in the U.S. and other countries. To view a list of Cisco trademarks, go to this URL: www.cisco.com/go/trademarks. Third-party trademarks mentioned are the property of their respective owners. The use of the word partner does not imply a partnership relationship between Cisco and any other company. (1110R)

Contact us

You will find an overview of the worldwide Cisco contacts on our website.

Go to: ▶ <https://www.cisco.com/go/offices>

Corporate Headquarters
Cisco Systems, Inc.
170 West Tasman Dr.
San Jose, CA 95134 USA